

VT. RTE. 103 TYPICAL SECTIONS

MATERIAL ITEM	THICKNESS TOLERANCE
PAVEMENT (TOTAL DEPTH)	± 1/4"
SUBBASE	± 1"
SAND BORROW	± 1"

1 1/2" BITUMINOUS CONCRETE PAVEMENT, TYPE III
 2" BITUMINOUS CONCRETE PAVEMENT, TYPE II
 4" BITUMINOUS CONCRETE PAVEMENT, TYPE I
 24" SUBBASE OF DENSE GRADED CRUSHED STONE
 22" SAND BORROW
 SHOULDER: 1 1/2" BITUMINOUS CONCRETE PAVEMENT, TYPE III
 2" BITUMINOUS CONCRETE PAVEMENT, TYPE II

SEEDING FORMULA URBAN AREAS

% WT.	LBS./A.	NAME	PUR %	GERM %
42.5	38.25	CREeping RED FESCUE	98	85
10.0	9.0	PERENNIAL RYE GRASS	95	90
42.5	38.25	KENTUCKY BLUE GRASS	85	85
5.0	4.5	ANNUAL RYE GRASS	95	85
100.00	90.0			

GENERAL NOTES

SEED MIXTURE: SHALL NOT HAVE A WEED CONTENT EXCEEDING 0.40% BY WEIGHT AND SHALL BE FREE OF ALL NOXIOUS SEED.

SEED: TO BE APPLIED PER SEEDING FORMULAS OR AS DIRECTED BY THE ENGINEER.

FERTILIZER: FORMULA 10-20-10, TO BE USED WITH SEED, APPLIED AT THE RATE OF 500 LBS./ACRE. (HYDRO SEEDERS MAY USE 19-19-19 FORMULA).

AGRICULTURAL LIMESTONE: TO BE APPLIED AT THE RATE OF 2 TONS/ACRE, OR AS DIRECTED BY THE ENGINEER.

HAY MULCH: TO BE PLACED ON EARTH SLOPES AT THE RATE OF 2 TONS/ACRE, OR AS DIRECTED BY THE ENGINEER.

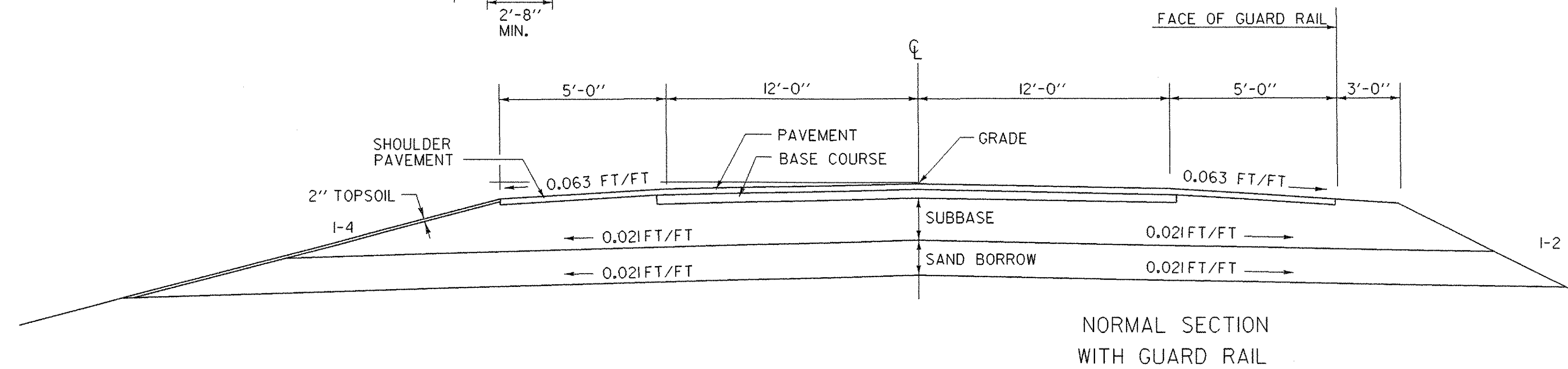
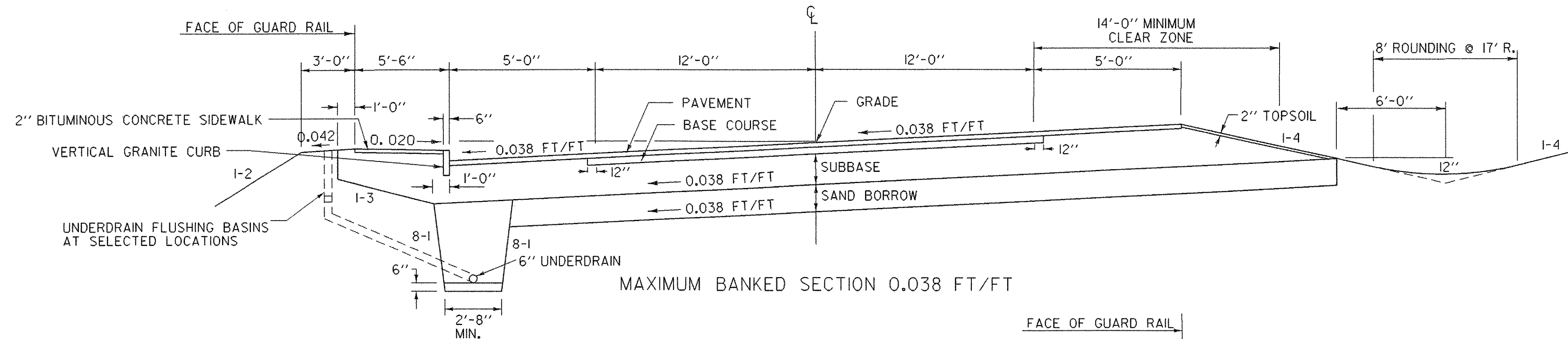
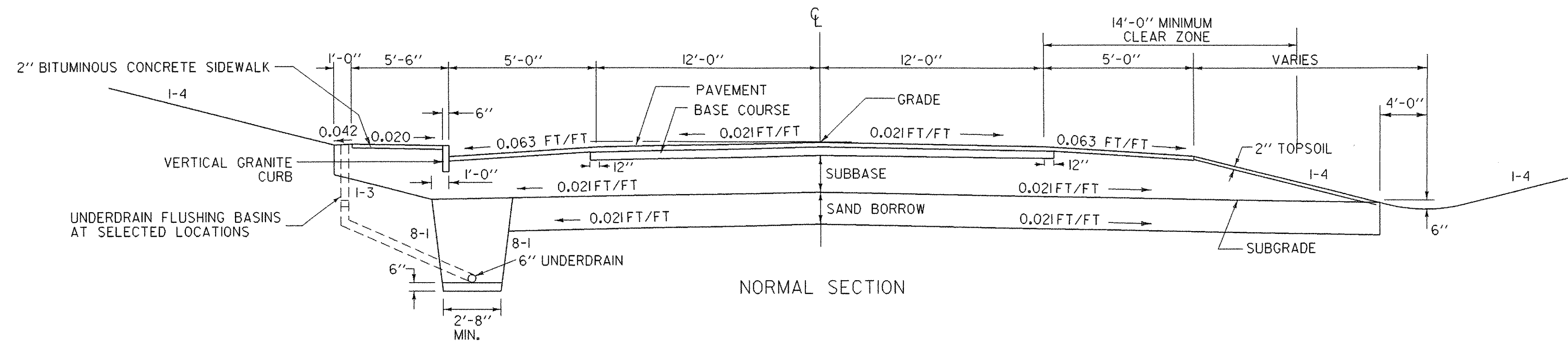
TOPSOIL: TO BE USED WITH SEED AS INDICATED ON THE PLANS, OR AS DIRECTED BY THE ENGINEER.

MARKER POSTS: TO BE PLACED AS INDICATED OR AS DIRECTED BY THE ENGINEER.

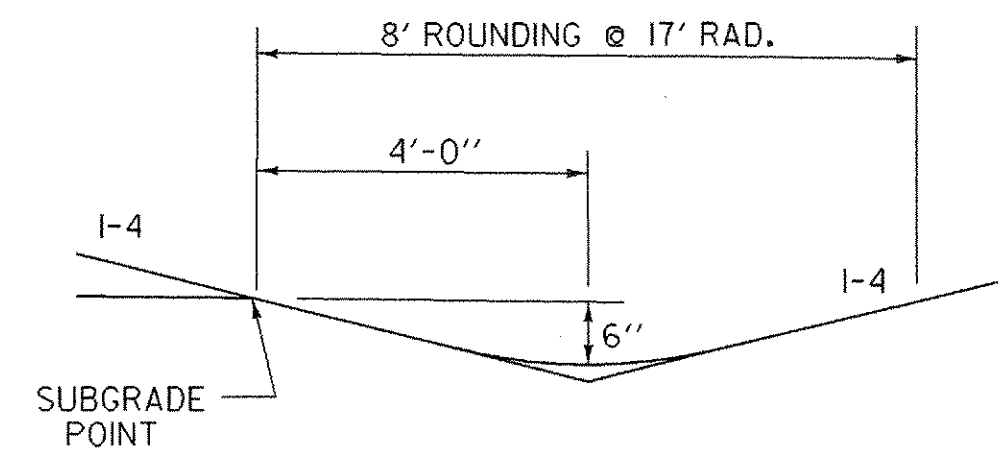
SLOPE ROUNDING: ALL CUT SLOPES TO BE ROUNDED IN ACCORDANCE WITH STANDARD SHEET B-5.

PAY LIMITS OF SAND BORROW: WHEN USED IN CONJUNCTION WITH UNDERDRAIN - SEE STANDARD SHEET D - 2.

TACK COAT: EMULSIFIED ASPHALT IS TO BE APPLIED AT THE RATE OF 0.015 GAL/SY BETWEEN SUCCESSIVE COURSES OF PAVEMENT AS DIRECTED BY THE ENGINEER.

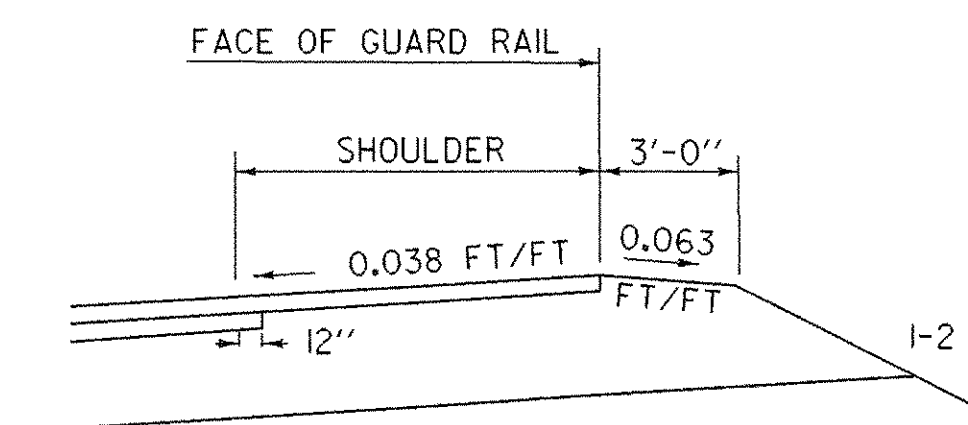


NOT TO SCALE (TYP)

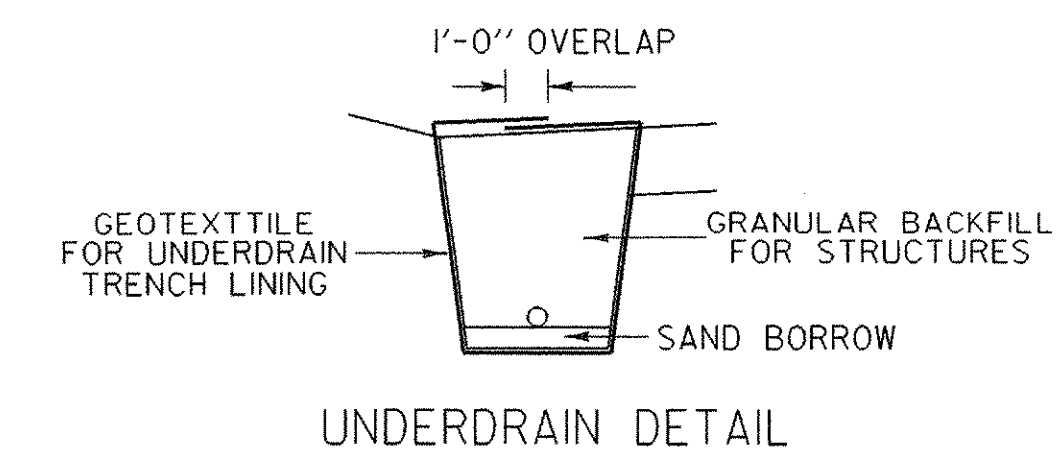


TYPICAL DITCH DETAILS

FOR SLOPES IN SOLID ROCK EXCAVATION AND DRILLING AND BLASTING OF SOLID ROCK SUBGRADE, SEE STANDARD SHEET A-60.



DETAIL OF GUARD RAIL ON HIGH SIDE OF BANKED SECTION



SURVEYED BY	SHERIDAN	DATE	8-90
DRAWN BY	L. BULLOCK	DATE	4-92
SQUAD LEADER	PORTALUPI		
DESIGN FILE NO.	M:\1549100 VADT Chester Curv		
IPARM NAME	z:f134+yl1	DATE PLOTTED	28-MAY-2003
PROJ. NAME	CHESTER		
PROJ. NO.	BRF025-1(35)		
SHEET	4	OF 79	SHEETS