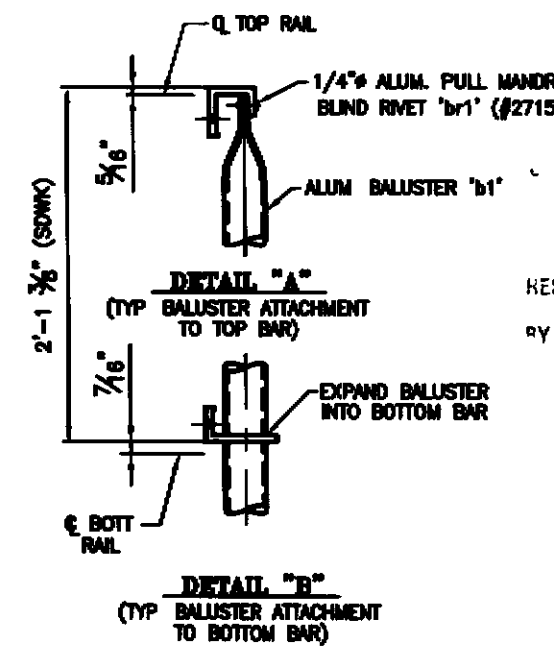
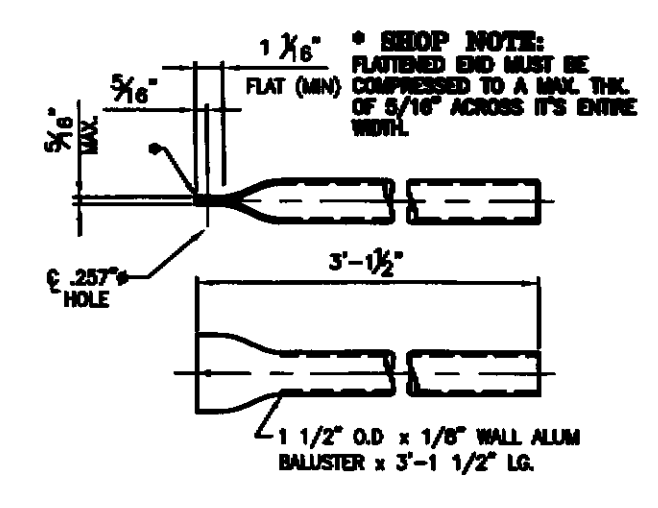


MARK	QTY	A"	B"	C"	D"	E"	F"	G"	H"	I"	J"	K"	L"	PANEL ASSY
b1	7	4'-10 3/8"	4 11/16"	7	4'-1"	4 11/16"	2"	1'-1 3/16"	2	2'-4"	1'-1 3/16"	2"		BP1
b4	4	5'-2 3/4"	3 3/8"	8	4'-8"	3 3/8"	1"	5 7/8"	3	3'-6"	1'-0 7/8"	1"		BP4
b6	2	4'-7 1/2"	3 1/4"	7	4'-1"	3 1/4"	1"	1'-0 3/4"	2	2'-4"	1'-0 3/4"	1"		BP6



**ANODIZED**  
(SEE L&I FOR NOTES)

PROJECT No. BHF 023-(5) ITEM No. 900.640

APPROVED: [Signature] DATE: 12/10

FOR: F. R. LAFAYETTE, INCORPORATED  
VERMONT AGENCY OF TRANSPORTATION  
TOWN OF FERRIS, COUNTY OF FRANKLIN  
BRIDGE RAILING FOR BRIDGE #10, VT RTE 104 MINOR ARTERIAL

DATE: 11/08/09 JOB No. A08000 CURT No. [Blank]  
CHECKED: 12/21/09 DRAWING L&I SHEET No. ONE

108 - REQ'D BALUSTERS 'b1' #19451