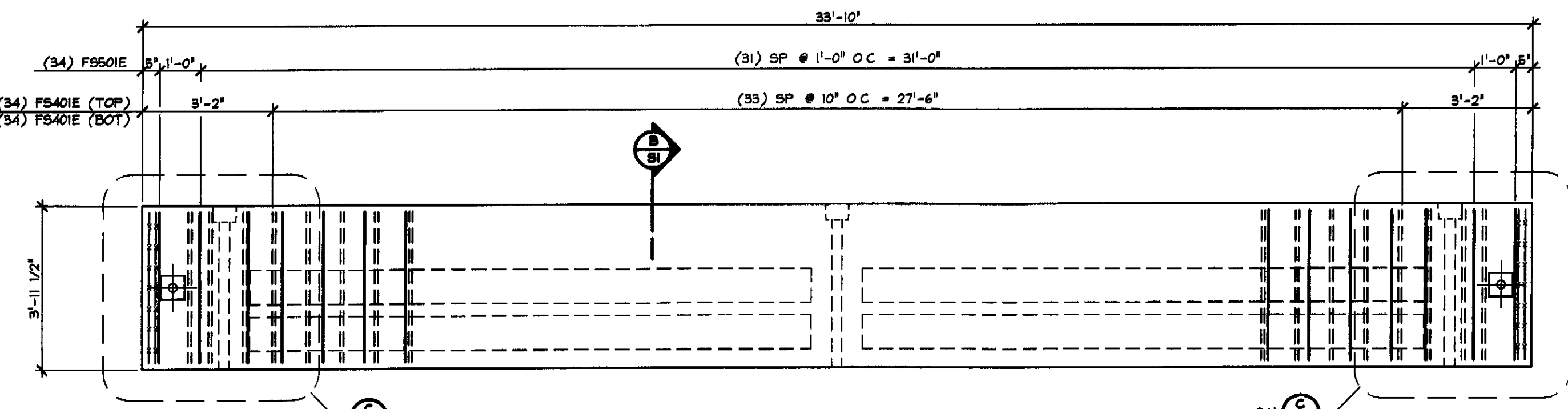
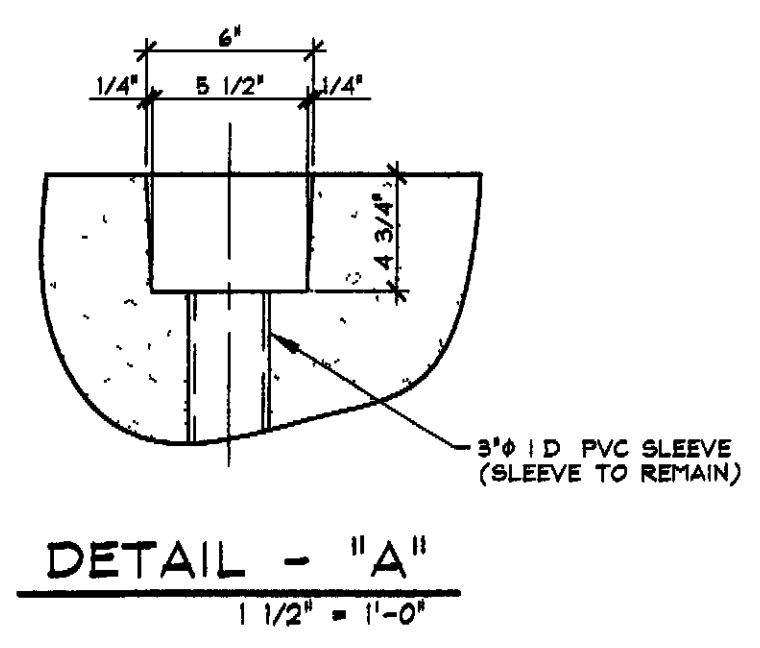


1 DIMENSIONAL PLAN VIEW IN FORM
3/8" = 1'-0"

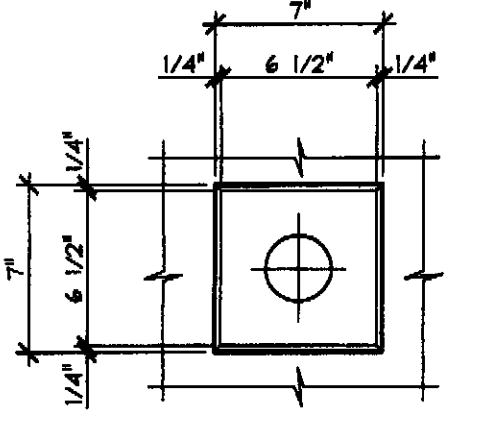


2 REINFORCING PLAN VIEW IN FORM
3/8" = 1'-0"

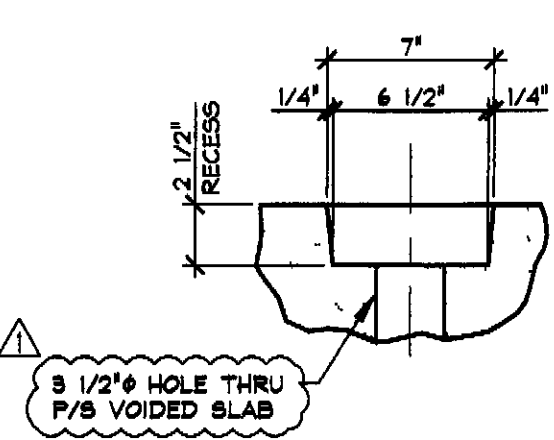
SHOP NOTE:
ADJUST REINFORCING SPACING AS REQUIRED TO CLEAR P.T. SLEEVES, INSERTS, ETC



DETAIL - "A"
1 1/2" = 1'-0"

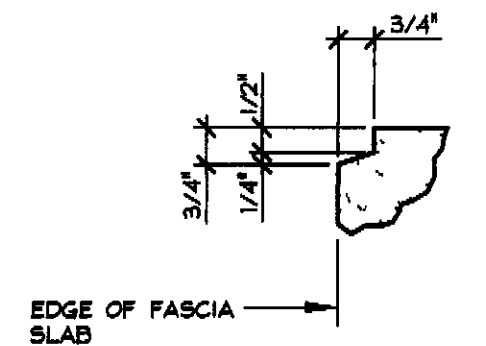


PLAN @ VOIDED SLAB

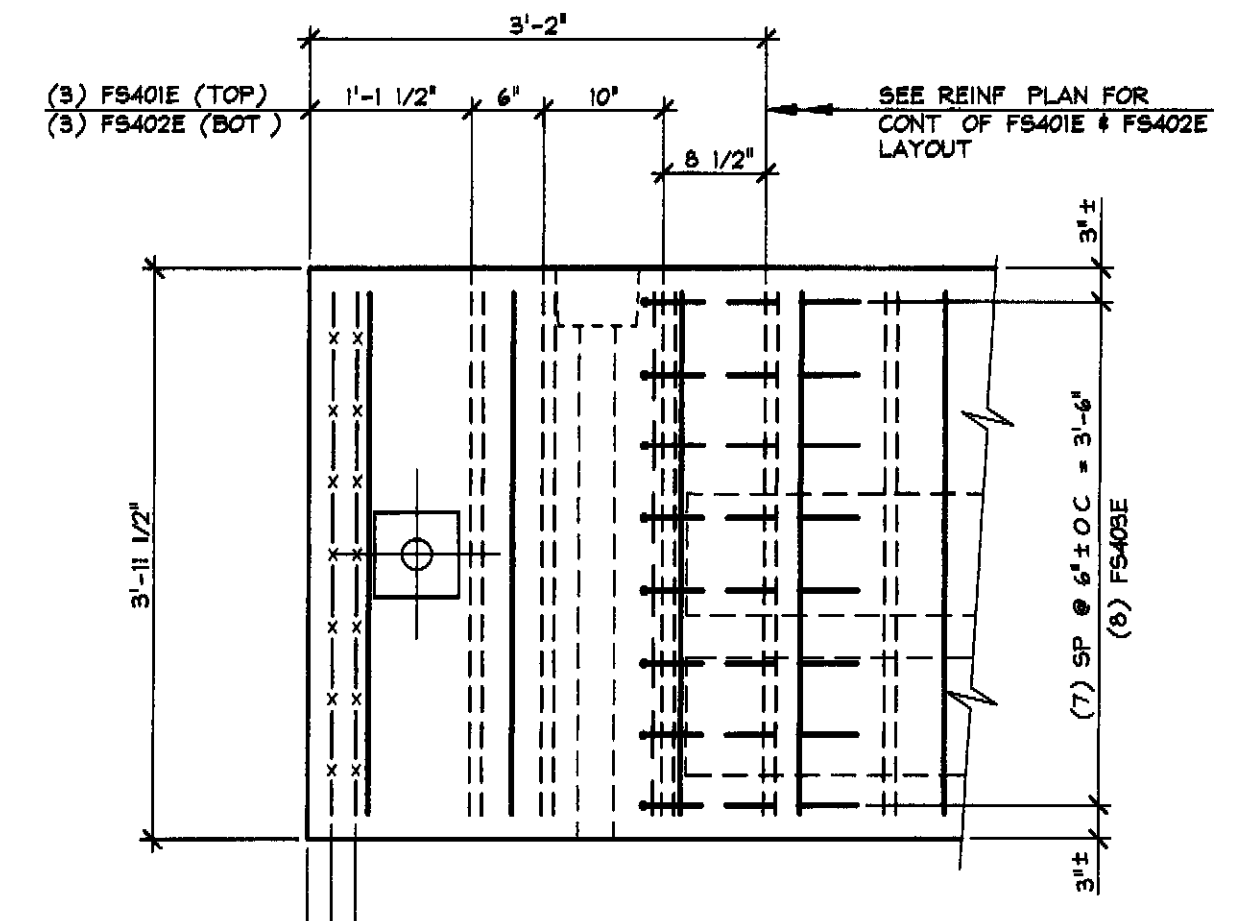


SECTION @ VOIDED SLAB

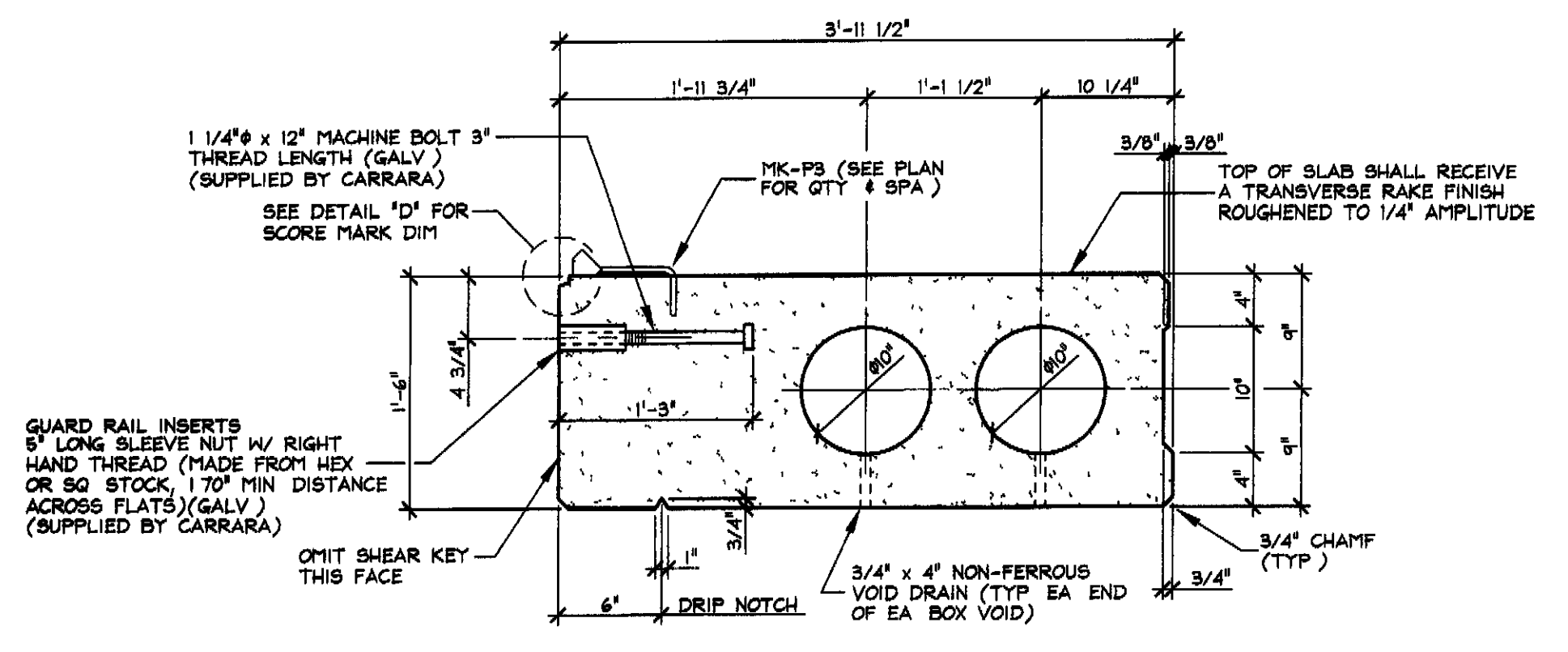
DETAIL - "B"
1 1/2" = 1'-0"



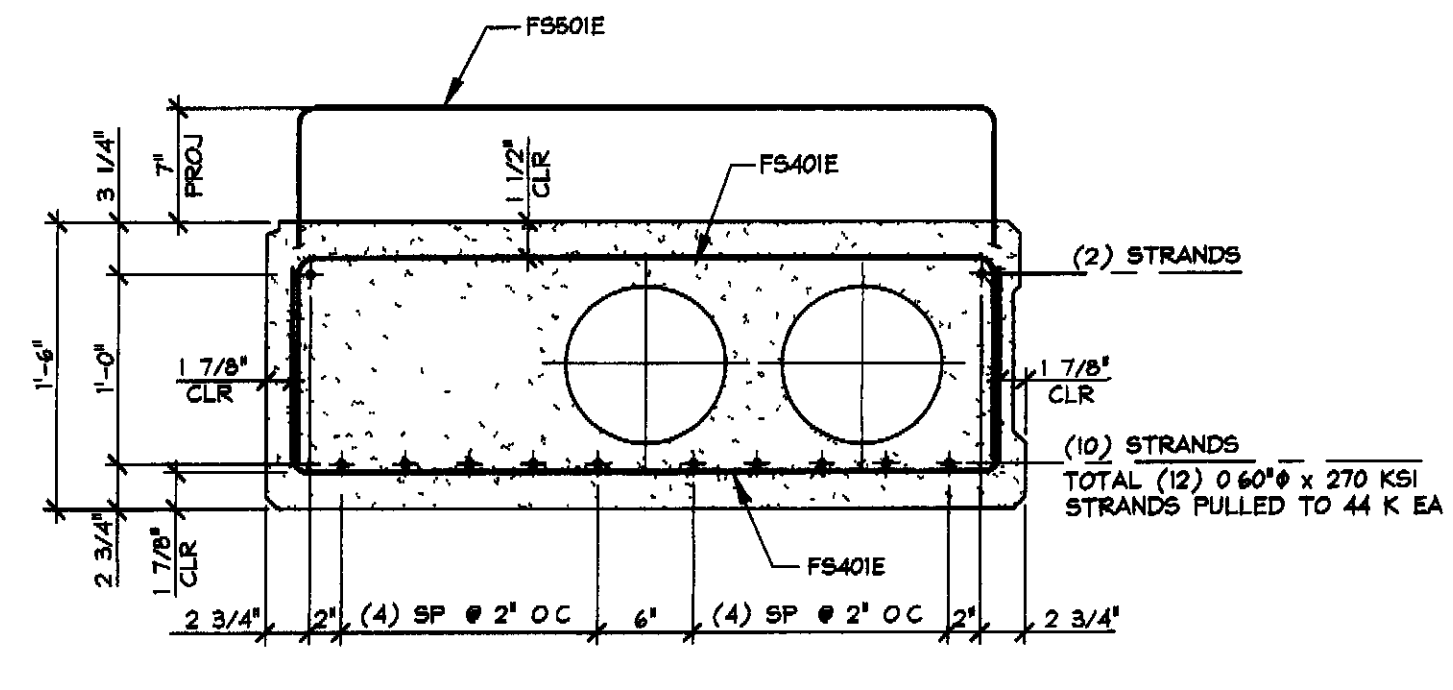
D SCORE MARK DETAIL
3" = 1'-0"



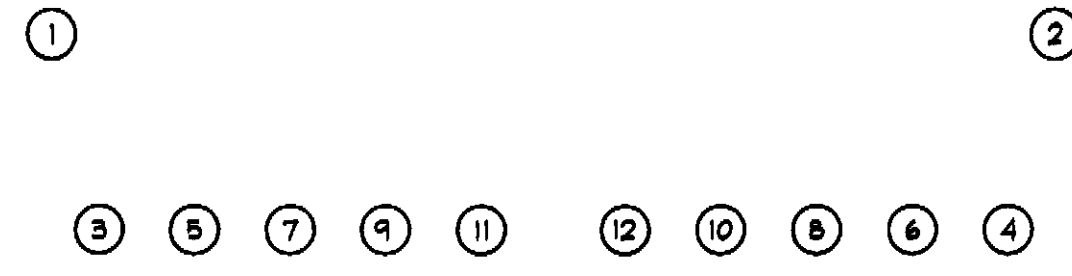
C END BLOCK REINFORCING DETAIL
3/4" = 1'-0"



A DIMENSIONAL SECTION
1" = 1'-0"



B REINFORCING SECTION
1" = 1'-0"



DETENSIONING SCHEDULE
N T S

MARK	FX-1	QTY	WT	12.78 T	VOL	6.31 cy
MATERIAL LIST / VOIDED SLAB						
ITEM	MARK	DESCRIPTION	QTY			
1	FS401E	#4 BENT BAR (EPOXY COATED)	80			
2	FS403E	#4 BENT BAR (EPOXY COATED)	16			
3						
4						
5	FS501E	#5 BENT BAR (EPOXY COATED)	34			
6		#4 x 3'-8" (EPOXY COATED)	16			
7						
8		1 1/4" x 5" SLEEVE NUT W/ RIGHT HAND THRD (GALV)	12			
9		1 1/4" x 12" MACHINE BOLT 3" THRD (GALV)	12			
10						
11						
12						
13		WIRE MESH MWF-4 x 4 - W2.9 x W2.9 (1'-3" x 3'-8") (EPOXY COATED)	4			
14	MK-PI	DAYTON C-24 TYPE 4-APR PRESS-STEEL PRECAST HALF HANGER (GALV)	8			
15		10" x 13'-8" VOID	4			
16		3/4" x 4" NON-FERROUS VOID DRAINS	8			
17		DOUBLE 1/2" STRANDS LIFTING LOOPS	4			
18						

1-18-10 REVISED AS PER ENGINEER COMMENTS 12/29/2009 T D

APPROVAL STAMP:
STATE OF VERMONT
AGENCY OF TRANSPORTATION
RECEIVED 01/27/2010
CHK BY WDL
ACTION APPROVED
BY CWC DATE 01/27/2010

J.P. CARRARA & SONS INC. Precast & Prestress Manufacturer 2444 CASE ST. MORRISVILLE, VERMONT 05653 Phone (802)388-6361 Fax (802)388-9010		BLOW & COTE, INC. CONTRACTOR MORRISVILLE, VERMONT	
STATE OF VERMONT A.O.T. COUNTY OF FRANKLIN		DATE: NOV 12, 2009	
TOWN OF FAIRFAX VERMONT ROUTE 104		CHKD:	DFTM: T D
BRIDGE NO. 10 PROJECT NO.: BHF 023-1(5)		JOB NO.	23804-09
P/S VOIDED SLAB DETAILS			DWG NO S1