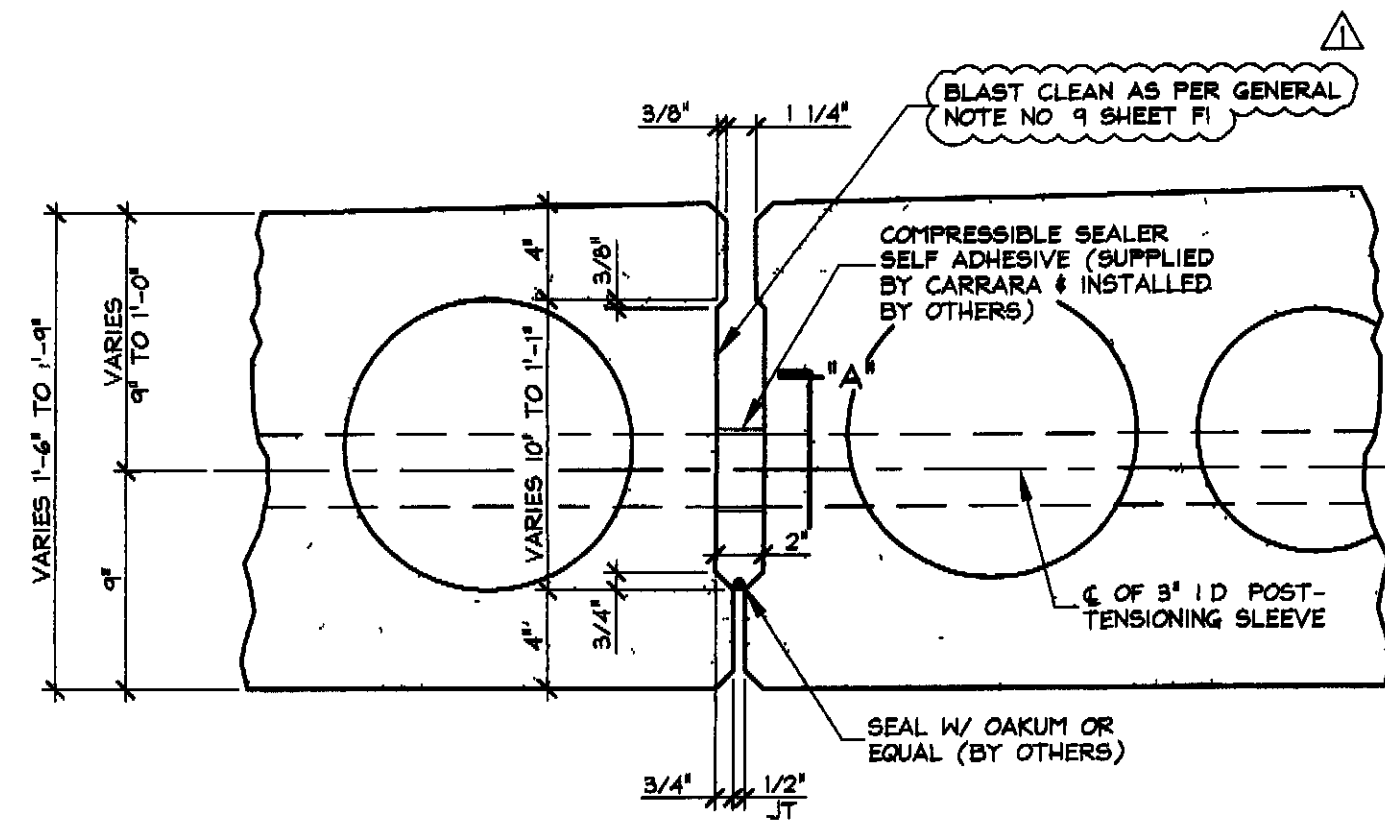
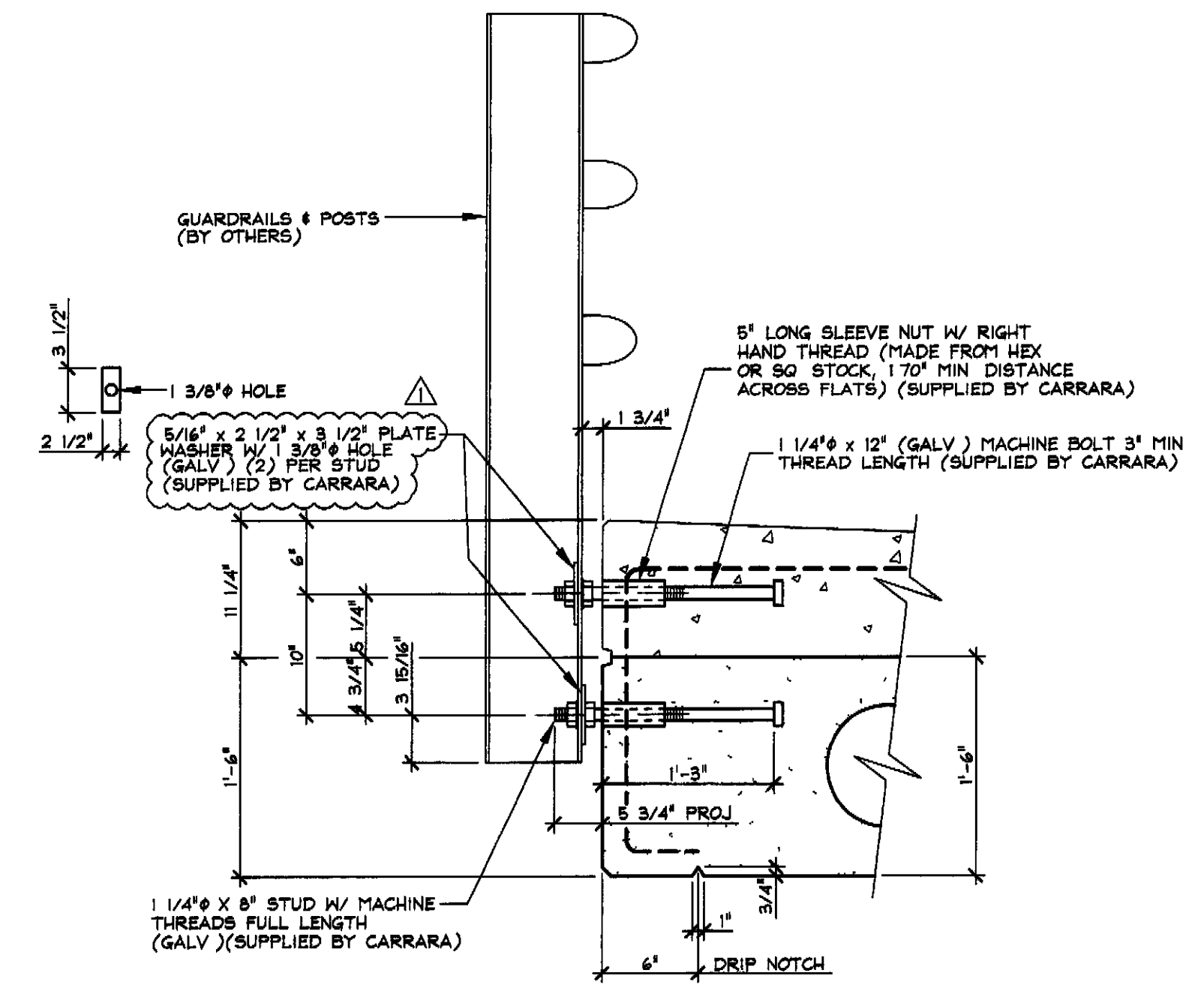


B BEARING SECTION
F2 1" = 1'-0"



C SHEAR KEY SECTION @
F2 P.T. SLEEVE 1 1/2" = 1'-0"



D GUARDRAIL ANCHORAGE DETAIL
F2 1" = 1'-0"

1-18-10 REVISED AS PER ENGINEER COMMENTS 12/29/2009 T D

APPROVAL STAMP. STATE OF VERMONT AGENCY OF TRANSPORTATION RECEIVED 01/27/2010 CARRY WDL IN BY GS ACTION APPROVED BY CWC DATE 01/27/2010	J.P. CARRARA & SONS INC. Precast & Prestress Manufacturer <small>2464 CASE STR. MORRISVILLE, VERMONT 05753 Phone (802)388-6381 Fax (802)388-8010</small>	BLOW & COTE, INC. CONTRACTOR MORRISVILLE, VERMONT
	STATE OF VERMONT A.O.T. COUNTY OF FRANKLIN	DATE: NOV 12, 2009 SCALE: NOTED
	TOWN OF FAIRFAX VERMONT ROUTE 104 BRIDGE NO. 10 PROJECT NO.: BHF 023-1(5)	CHKD: DFTM: T D JOB NO: 23304-09
	SUPERSTRUCTURE SECTIONS & DETAILS	DWG NO F2