

**CONSTRUCTION SPECIFICATIONS**

1. FILTER FABRIC SHALL HAVE AN APPARENT OPENING SIZE OF 40-85. BURLAP MAY BE USED FOR SHORT TERM APPLICATIONS.
2. CUT FABRIC FROM A CONTINUOUS ROLL TO ELIMINATE JOINTS. IF JOINTS ARE NEEDED THEY WILL BE OVERLAPPED TO THE NEXT STAKE.
3. STAKE MATERIALS WILL BE STANDARD 2"x 4" WOOD OR EQUIVALENT METAL WITH A MINIMUM LENGTH OF 3'.
4. SPACE STAKES EVENLY AROUND INLET 3' APART AND DRIVE A MINIMUM 18" DEEP. SPANS GREATER THAN 3' MAY BE BRIDGED WITH THE USE OF WIRE MESH BEHIND THE FILTER FABRIC FOR SUPPORT.
5. FABRIC SHALL BE EMBEDDED 1' MINIMUM BELOW GROUND AND BACKFILLED. IT SHALL BE SECURELY FASTENED TO THE STAKES AND FRAME.
6. A 2" x 4" WOOD FRAME SHALL BE COMPLETED AROUND THE CREST OF THE FABRIC FOR OVER FLOW STABILITY.
7. MAXIMUM DRAINAGE AREA 1 ACRE

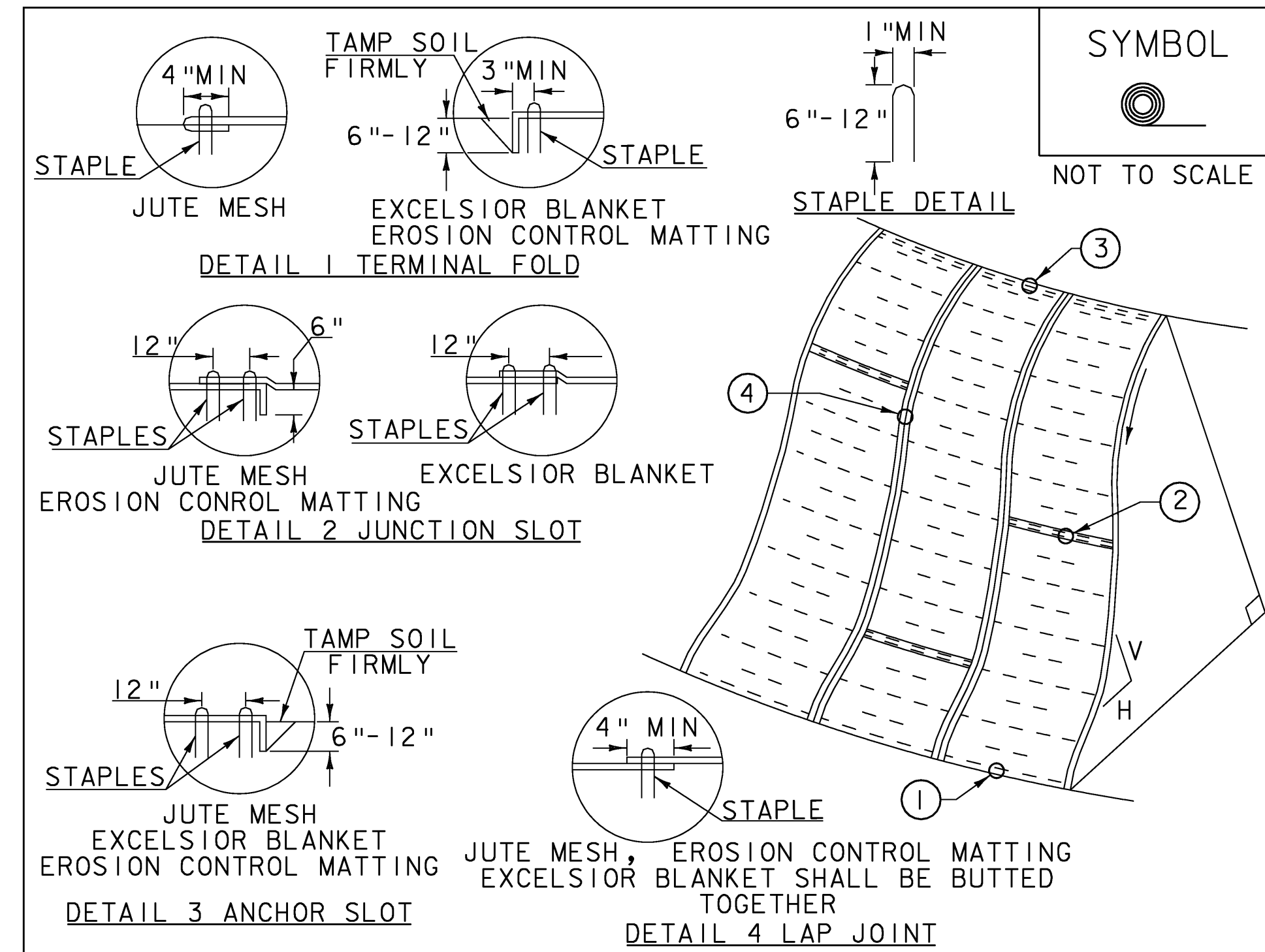
ADAPTED FROM DETAILS PROVIDED BY: NEW YORK STATE DEC  
ORIGINALLY DEVELOPED BY USDA-NRCS  
VERMONT DEPARTMENT OF ENVIRONMENTAL CONSERVATION

**FILTER FABRIC  
DROP INLET  
PROTECTION**

NOTES:  
REFER TO "THE VERMONT STANDARDS & SPECIFICATIONS FOR  
EROSION PREVENTION & SEDIMENT CONTROL -2006- "FROM  
THE VT AGENCY OF NATURAL RESOURCES FOR ADDITIONAL  
GUIDANCE.

THIS WORK SHALL BE PERFORMED IN ACCORDANCE WITH  
SECTION 653 FOR INLET PROTECTION DEVICE, TYPE I(PAY  
ITEM 653.40).

REVISIONS	
MARCH 7, 2008	WHF
JANUARY 13, 2009	WHF



**CONSTRUCTION SPECIFICATIONS**

1. APPLY TO SLOPES GREATER THAN 3H:1V OR WHERE NECESSARY TO AID IN ESTABLISHING VEGETATION.
2. APPLY FERTILIZER, LIME SEED PRIOR TO PLACING MATTING.
3. STAPLES ARE TO BE PLACED ALTERNATELY, IN COLUMNS APPROXIMATELY 2' APART AND IN ROWS APPROXIMATELY 3' APART. APPROXIMATELY 175 STAPLES ARE REQUIRED PER 4' X 225' ROLL OF MATERIAL AND 125 STAPLES ARE REQUIRED PER 4' X 150' ROLL OF MATERIAL.
4. DISTURBED AREAS SHALL BE SMOOTHLY GRADED. EROSION CONTROL MATERIAL SHALL BE PLACED LOOSELY OVER GROUND SURFACE. DO NOT STRETCH.
5. ALL TERMINAL ENDS AND TRANSVERSE LAPS SHALL BE STAPLED AT APPROXIMATELY 12" INTERVALS.

ADAPTED FROM DETAILS PROVIDED BY: NEW YORK STATE DEC  
ORIGINALLY DEVELOPED BY USDA-NRCS  
VERMONT DEPARTMENT OF ENVIRONMENTAL CONSERVATION

**ROLLED EROSION  
CONTROL PRODUCT  
(RECP) SIDE SLOPE**

NOTES:  
REFER TO "THE VERMONT STANDARDS & SPECIFICATIONS FOR  
EROSION PREVENTION & SEDIMENT CONTROL -2006- "FROM  
THE VT AGENCY OF NATURAL RESOURCES FOR ADDITIONAL  
GUIDANCE.

THIS WORK SHALL BE PERFORMED IN ACCORDANCE WITH SECTION  
653 AND AS SHOWN IN THE PLANS FOR TEMPORARY EROSION  
MATTING (PAY ITEM 653.20)

REVISIONS	
APRIL 16, 2007	JMF
JANUARY 13, 2009	WHF

**SEEDING FORMULA  
URBAN AREAS**

% WT.	LBS./A.	NAME	PUR %	GERM %
42.5	34.0	CREeping RED FESCUE	98	85
10.0	8.0	PERENNIAL RYE GRASS	95	90
42.5	34.0	KENTUCKY BLUE GRASS	85	85
5.0	4.0	ANNUAL RYE GRASS	95	85
100.00	80.0			

**GENERAL NOTES**

SEED MIXTURE: SHALL NOT HAVE A WEED CONTENT EXCEEDING 0.40% BY WEIGHT AND SHALL BE FREE OF ALL NOXIOUS SEED.

SEED: TO BE APPLIED PER SEEDING FORMULAS OR AS DIRECTED BY THE ENGINEER.

FERTILIZER: FORMULA 10-20-10, TO BE USED WITH SEED, APPLIED AT THE RATE OF 500 LBS./ACRE. (HYDRO SEEDERS MAY USE 19-19-19 FORMULA).

AGRICULTURAL LIMESTONE: TO BE APPLIED AT THE RATE OF 2 TONS/ACRE, OR AS DIRECTED BY THE ENGINEER.

HAY MULCH: TO BE PLACED ON EARTH SLOPES AT THE RATE OF 2 TONS/ACRE, OR AS DIRECTED BY THE ENGINEER.

TOPSOIL: TO BE USED WITH SEED AS INDICATED ON THE PLANS, OR AS DIRECTED BY THE ENGINEER.

NTS

**EPSC DETAIL SHEET 1**

PROJECT NAME: FAIRFAX	
PROJECT NUMBER: BHF 023-I(5)	
FILE NAME: /86e064/str/se064ecd.dgn	PLOT DATE: 17-JUL-2009
PROJECT LEADER: C. CARLSON	DRAWN BY: L. BULLOCK
DESIGNED BY: C. CARLSON	CHECKED BY: C. CARLSON
se064ecd.i	SHEET 57 OF 61