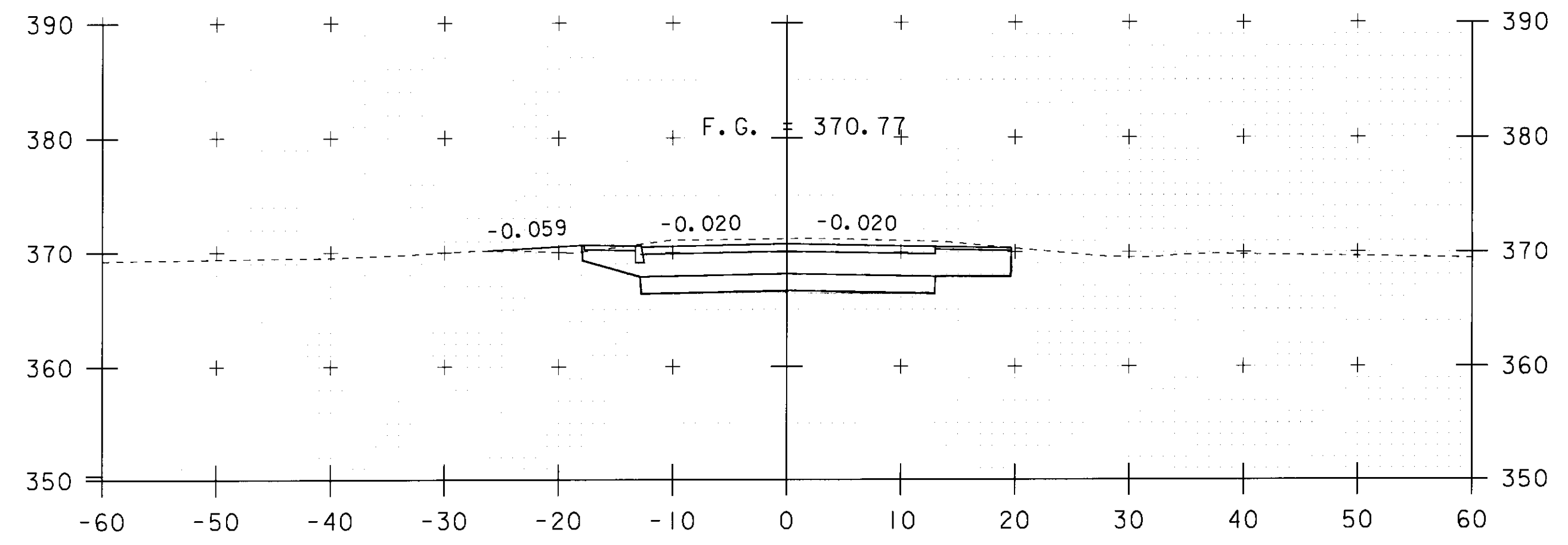
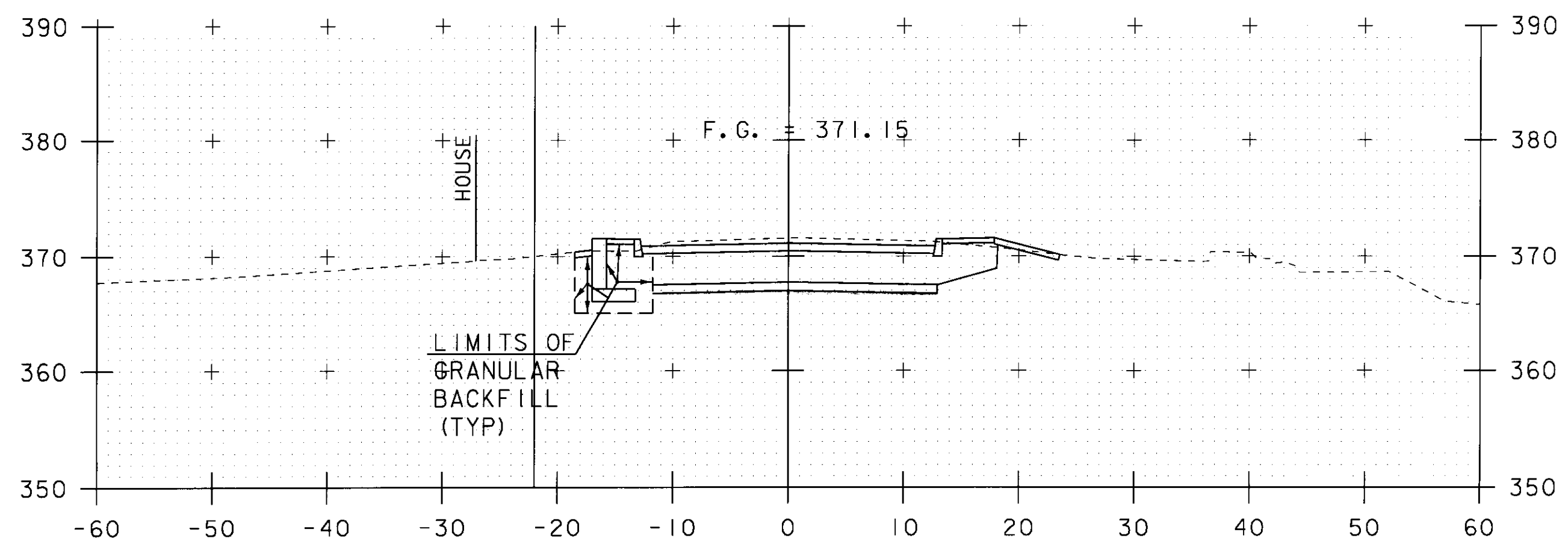


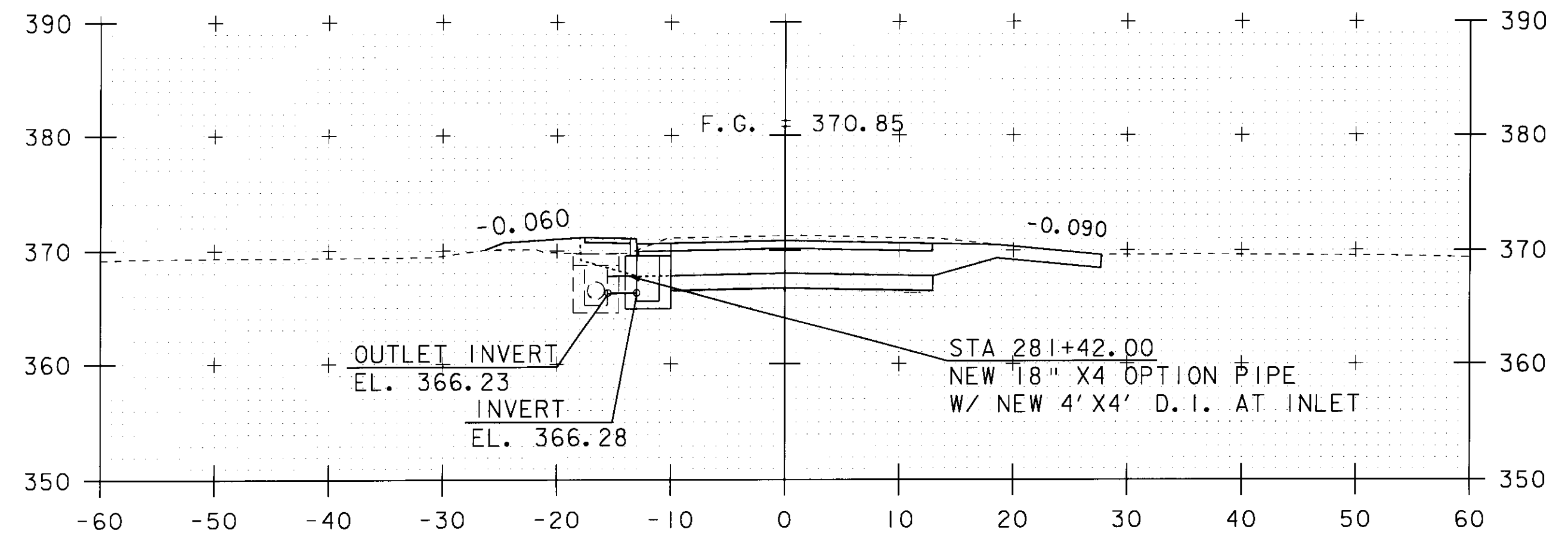
281+30



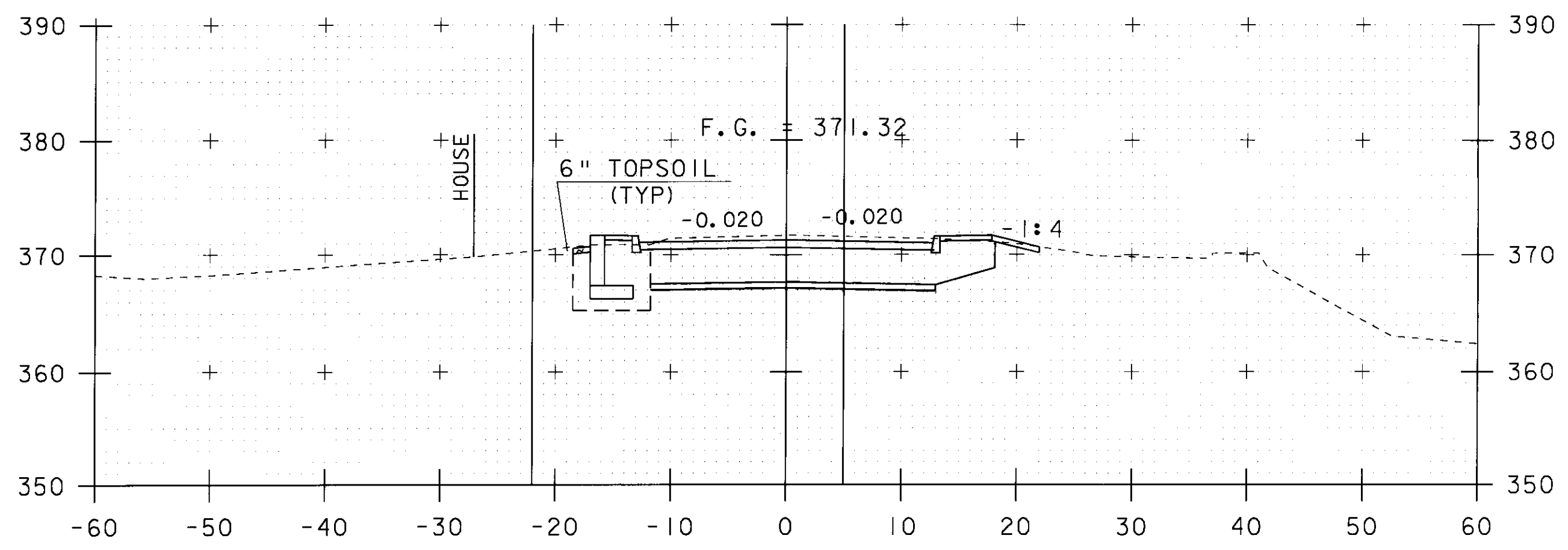
281+50



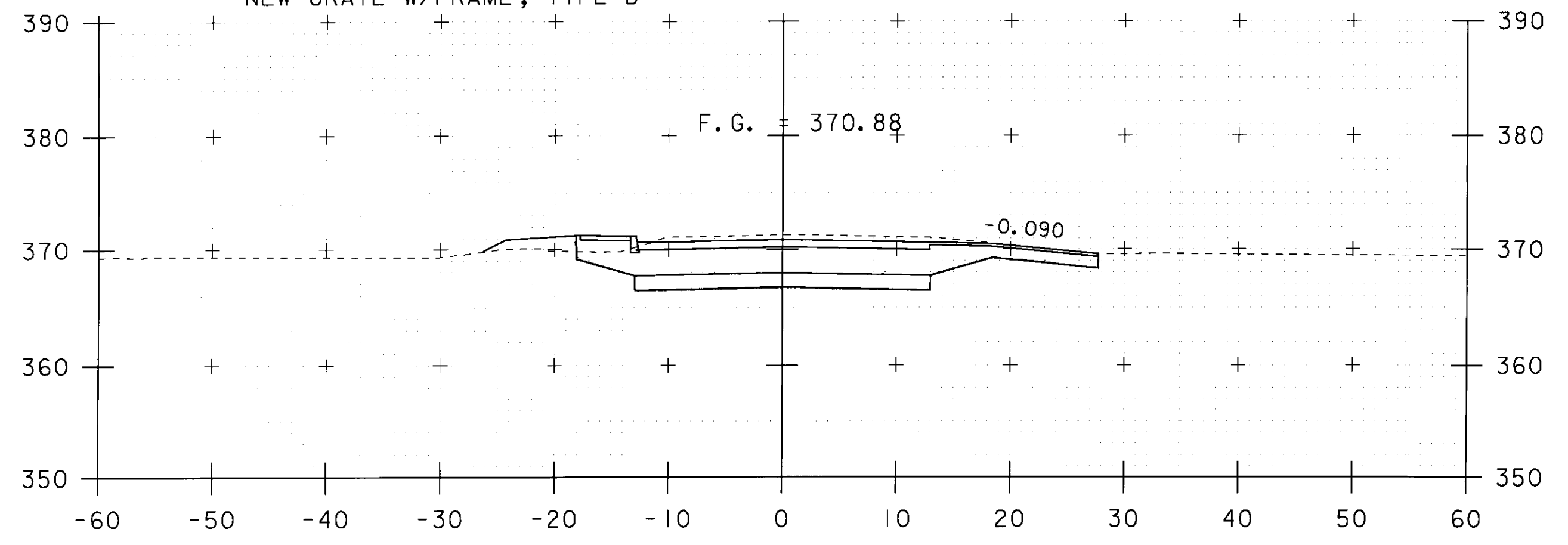
281+20



281+42



281+10



281+40

STA. 281+39.5 RT.
CONSTRUCT DRIVE

10 0 10
SCALE: 1" = 10'-0"

STA. 281+10 TO STA. 281+50

VT 104 SECTIONS - SHEET 5

| | |
|------------------------------------|------------------------|
| PROJECT NAME: FAIRFAX | PLOT DATE: 13-JUL-2009 |
| PROJECT NUMBER: BHF 023-(5) | DRAWN BY: L. BULLOCK |
| FILE NAME: 86e064/str/se064xs2.dgn | CHECKED BY: C. CARLSON |
| PROJECT LEADER: C. CARLSON | SHEET 50 OF 61 |
| DESIGNED BY: C. CARLSON | |
| se064xs5.1 | |