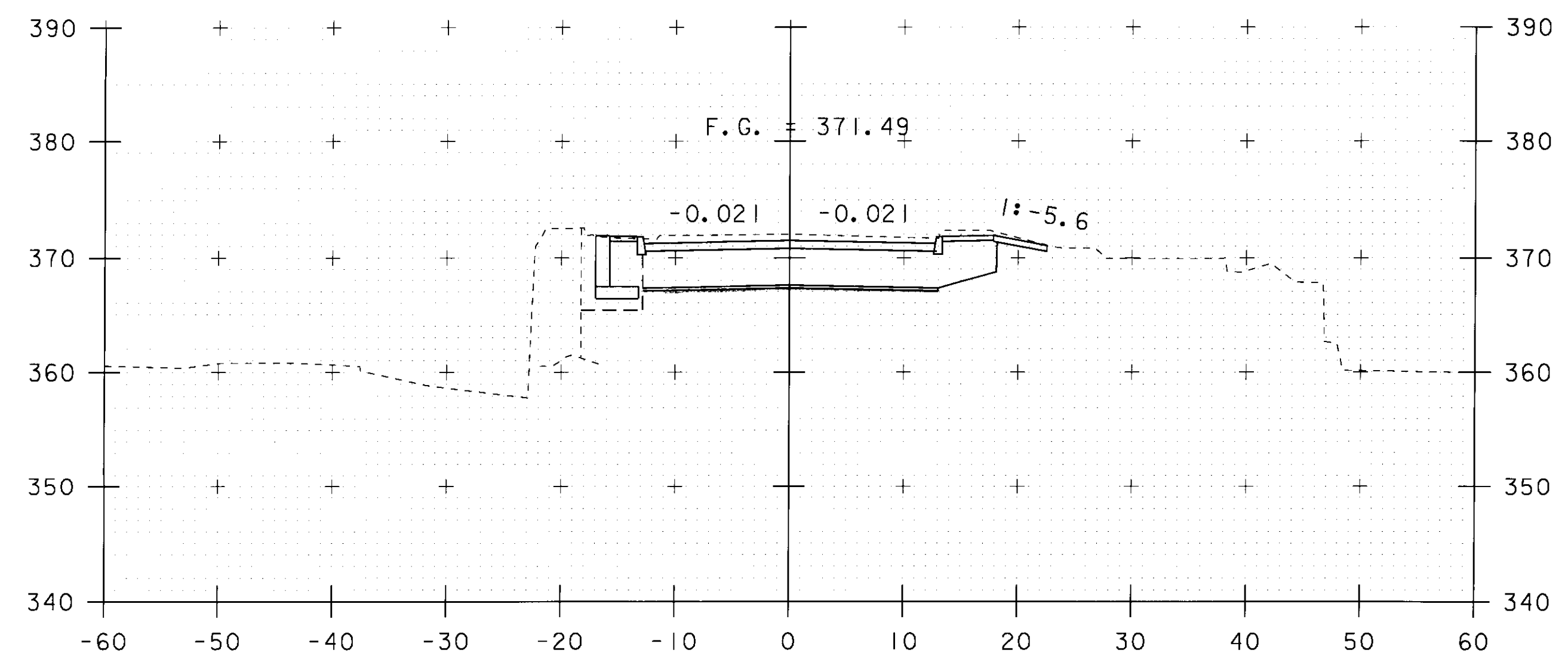
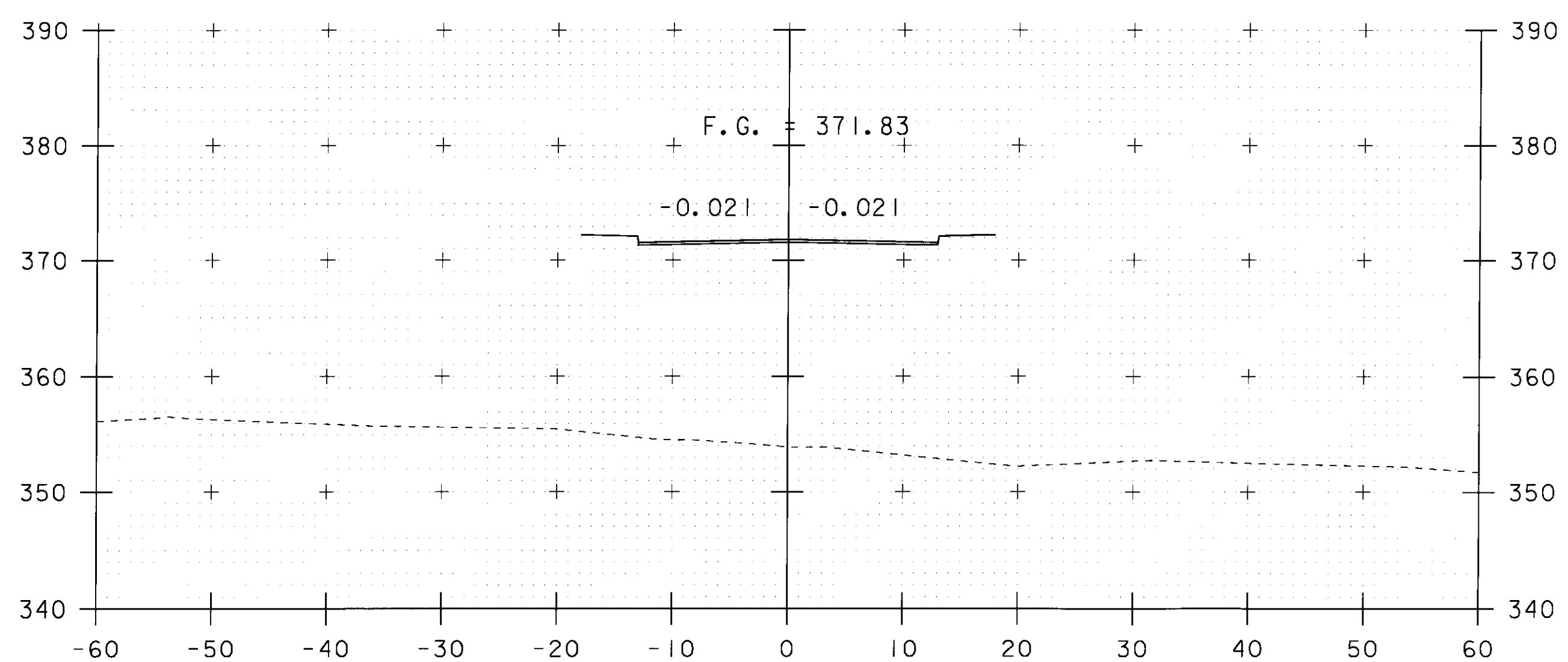


280+90

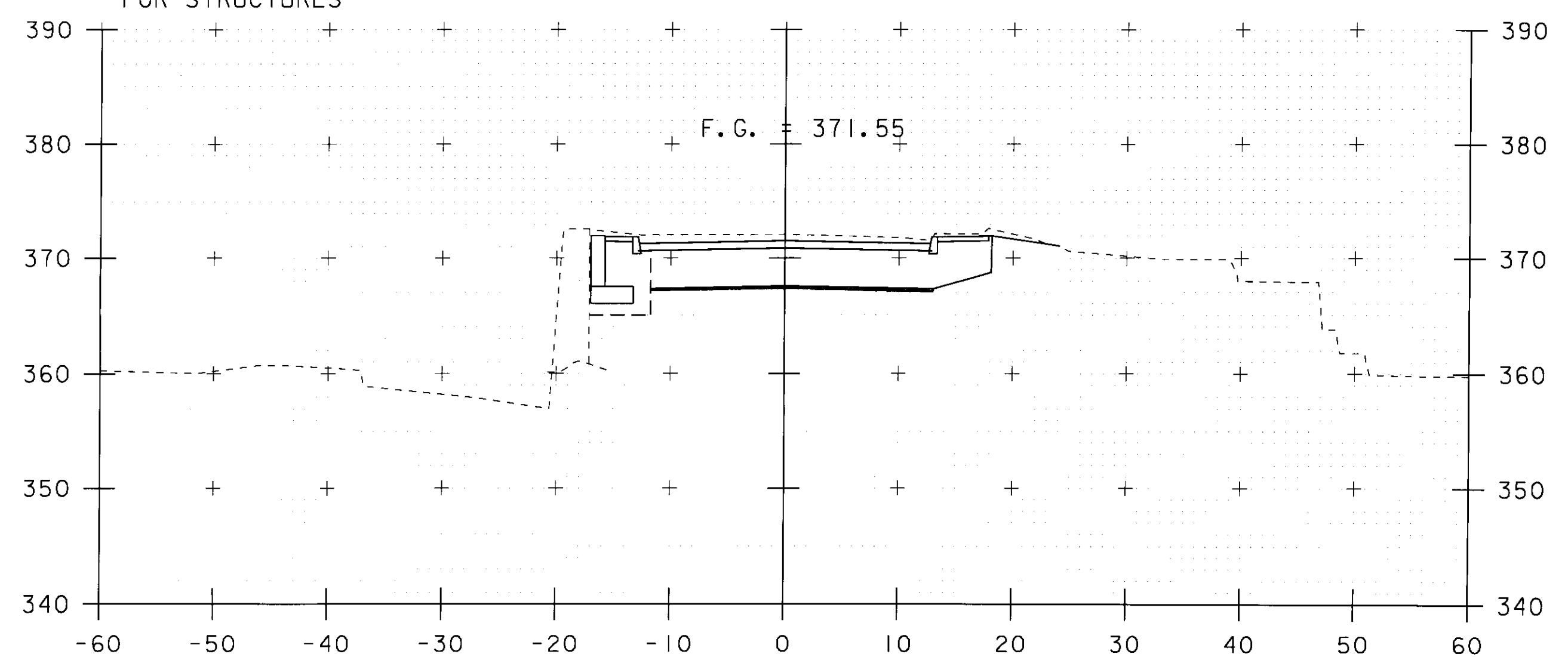


281+00

STA. 280+96.5 LT.
 BEGIN RETAINING WALL
 BEGIN STRUCTURE EXCAVATION
 AND GRANULAR BACKFILL
 FOR STRUCTURES



280+80



280+96.49
 END BRIDGE

10 0 10
 SCALE: 1" = 10'-0"

STA. 280+80 TO STA. 281+00

VT 104 SECTIONS - SHEET 4

PROJECT NAME: FAIRFAX	PLOT DATE: 13-JUL-2009
PROJECT NUMBER: BHF 023-(5)	DRAWN BY: L. BULLOCK
FILE NAME: 86e064/str/se064xs2.dgn	CHECKED BY: C. CARLSON
PROJECT LEADER: C. CARLSON	SHEET 49 OF 61
DESIGNED BY: C. CARLSON	
se064xs4.l	