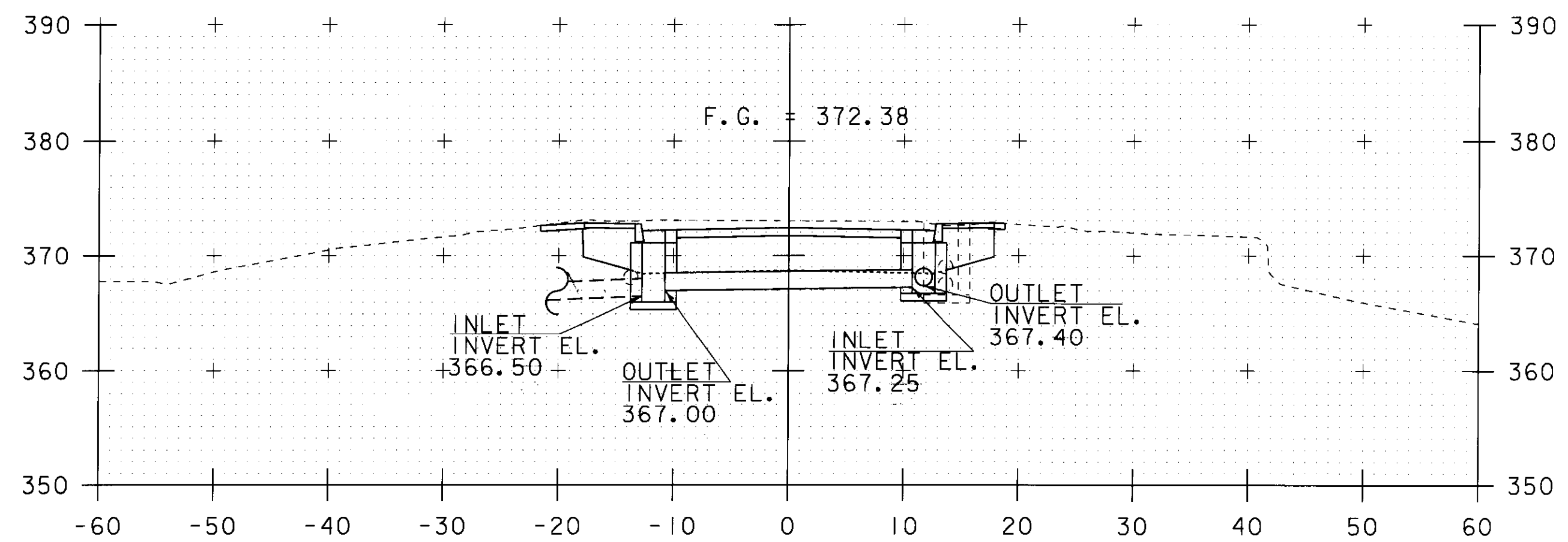
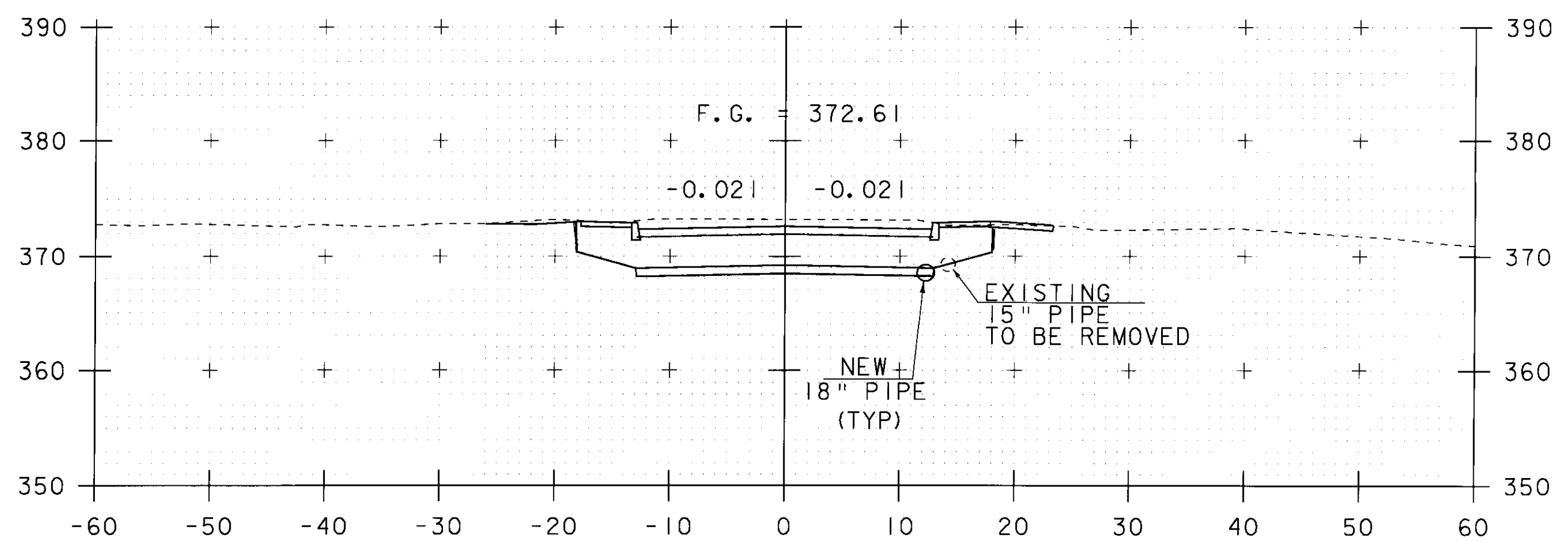


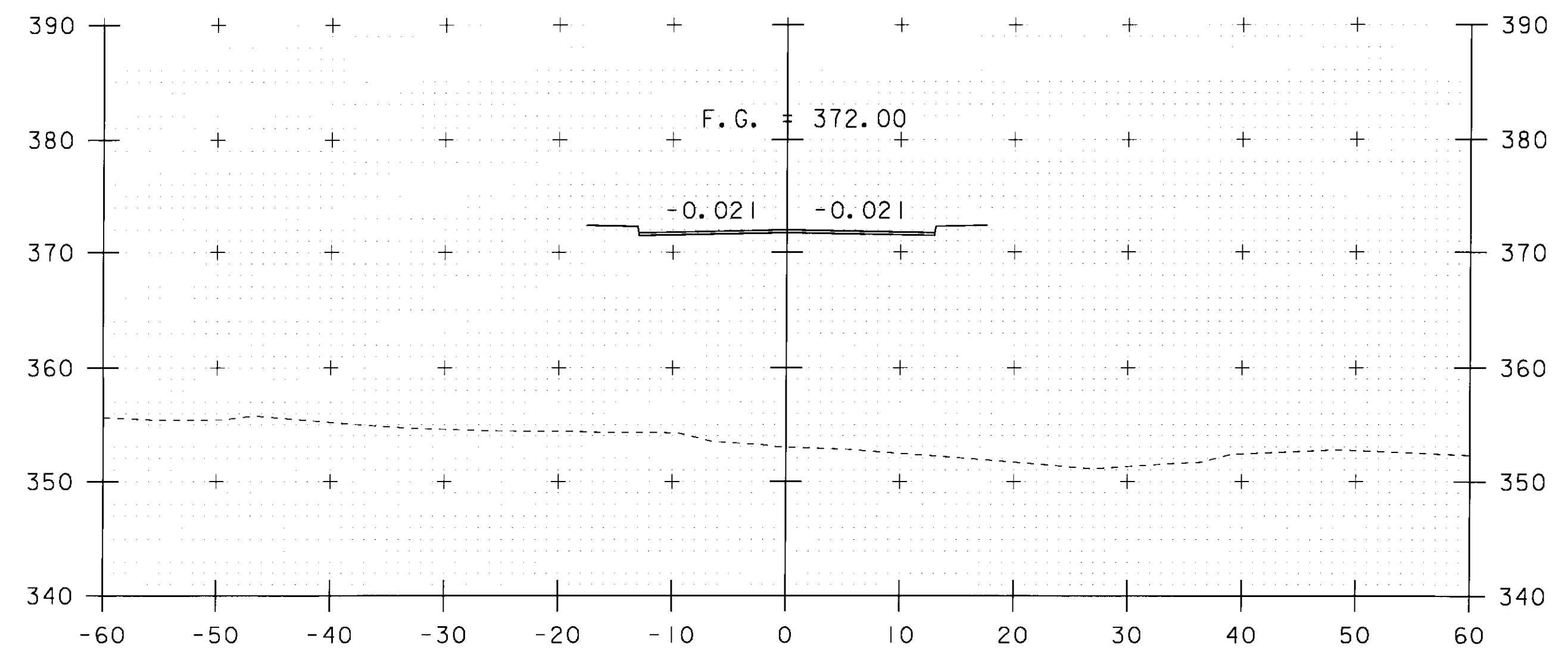
280+60



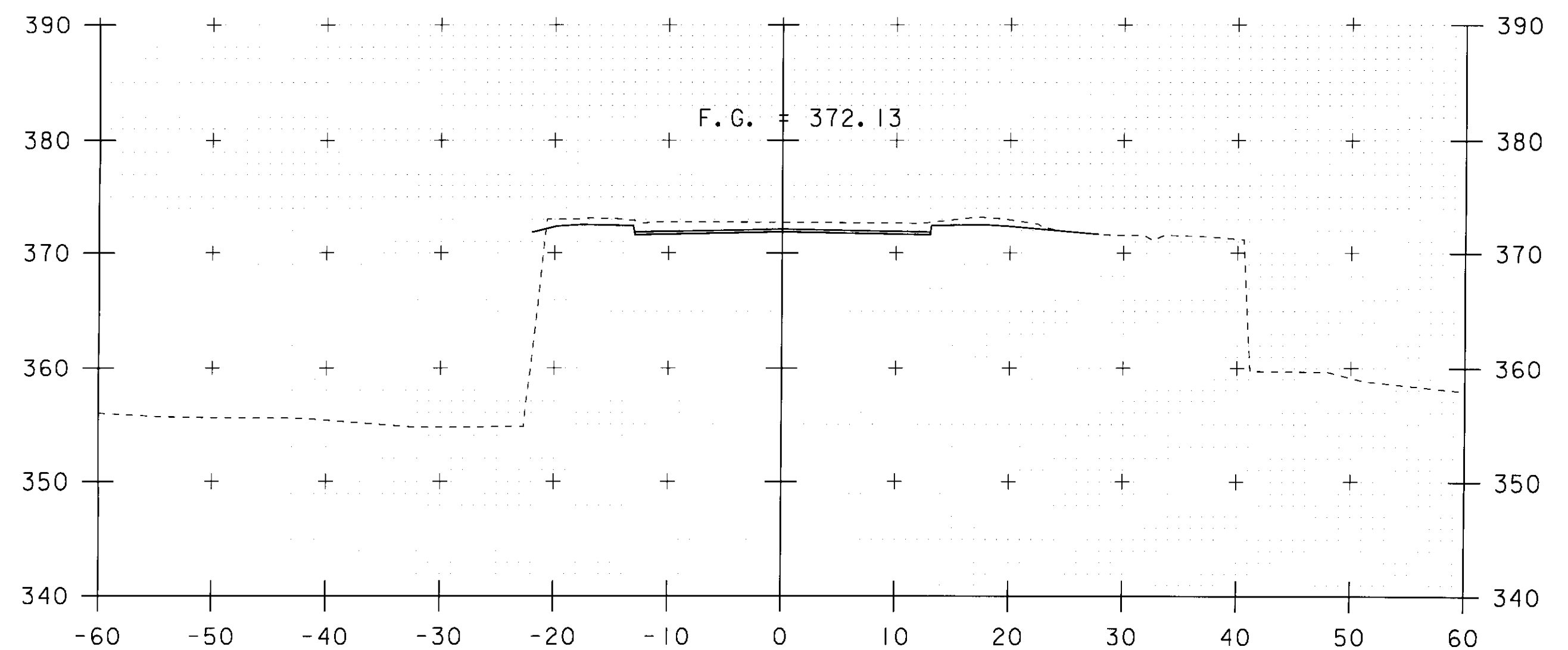
280+50



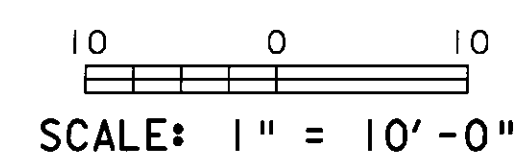
280+40



280+70



280+62.66  
BEGIN BRIDGE



STA. 280+40 TO STA. 280+70

VT 104 SECTIONS - SHEET 3

PROJECT NAME: FAIRFAX	PLOT DATE: 13-JUL-2009
PROJECT NUMBER: BHF 023-11(5)	DRAWN BY: L. BULLOCK
FILE NAME: 86e064/str/se064xs2.dgn	CHECKED BY: C. CARLSON
PROJECT LEADER: C. CARLSON	SHEET 48 OF 61
DESIGNED BY: C. CARLSON	