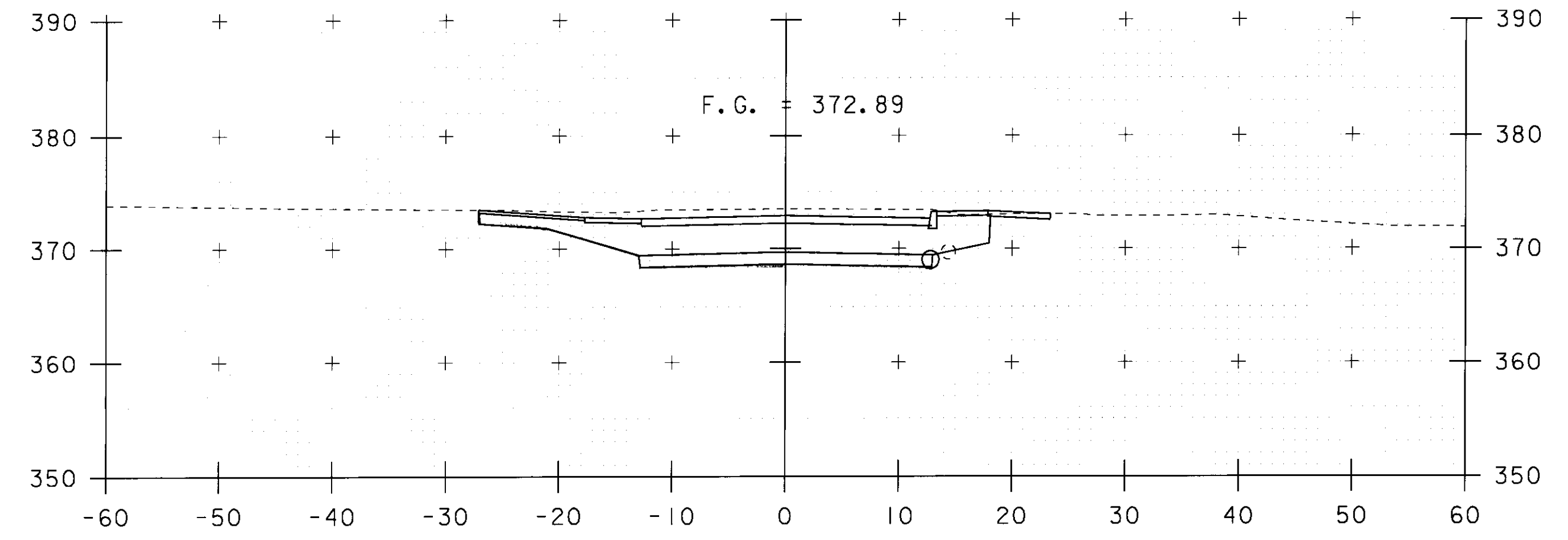
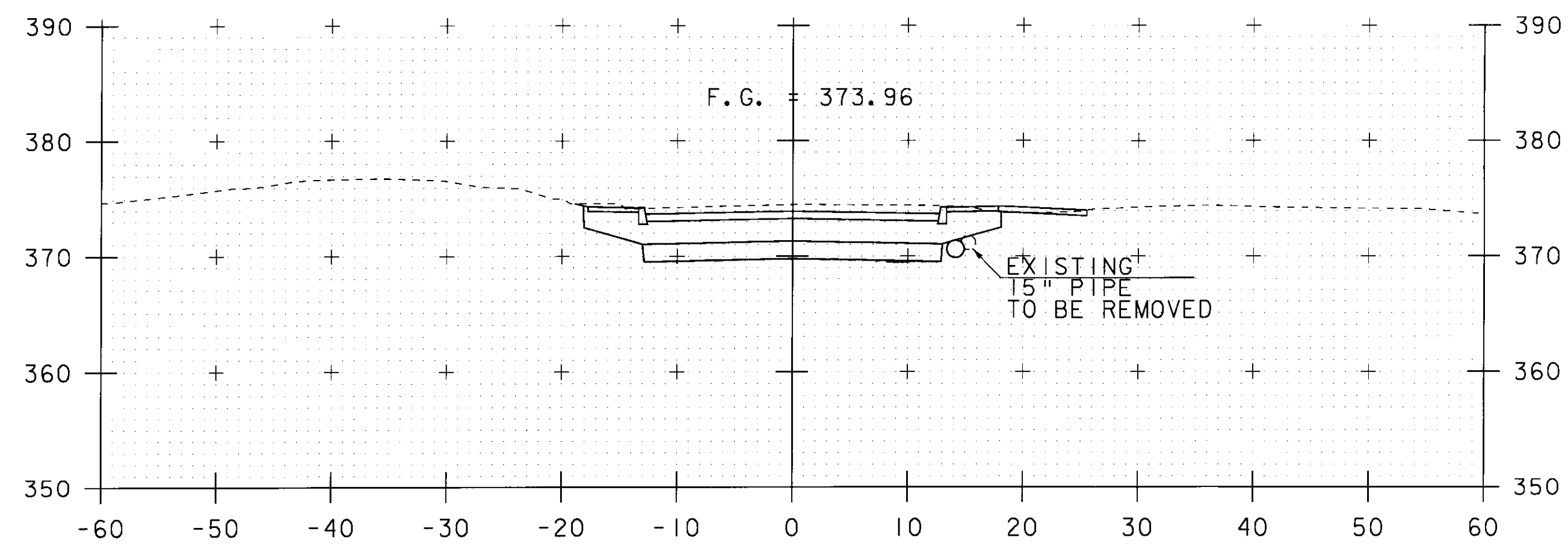


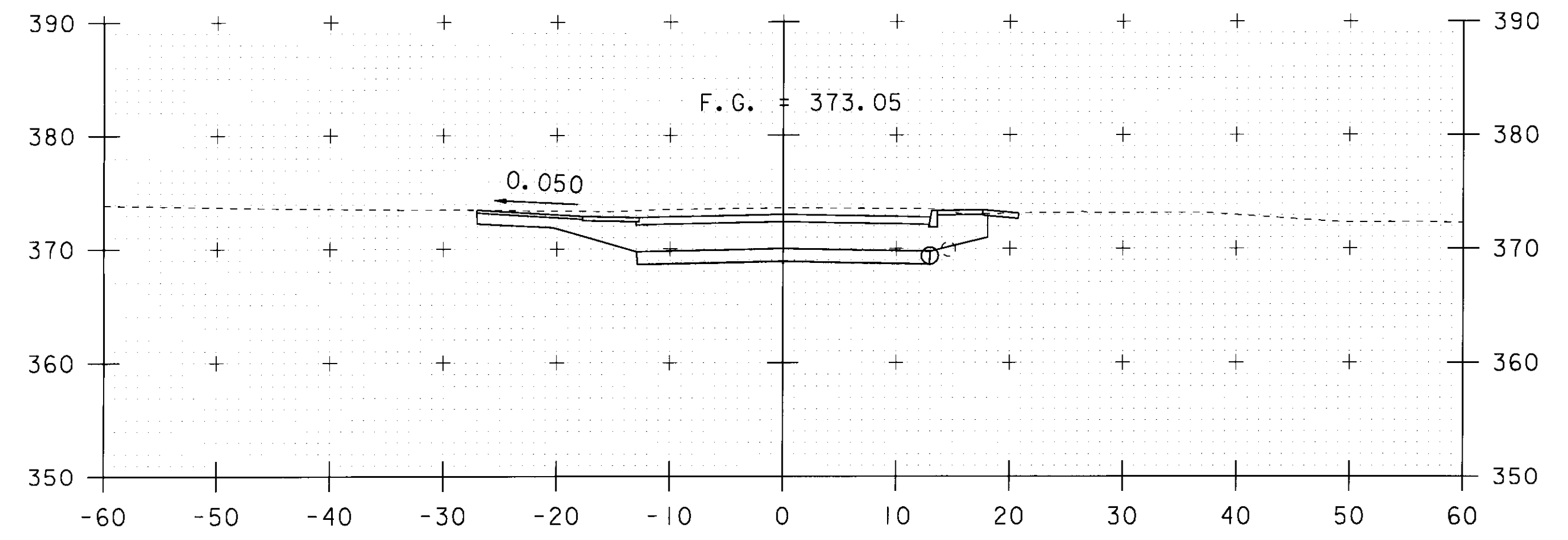
280+10



280+30

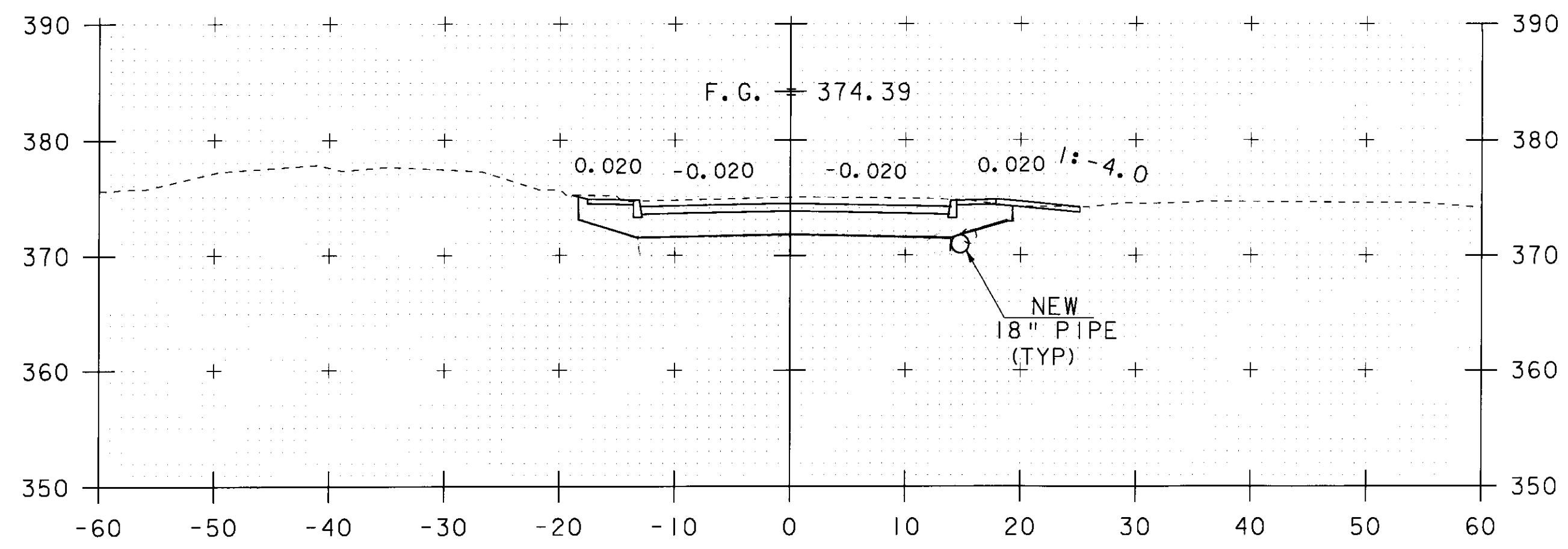


280+00

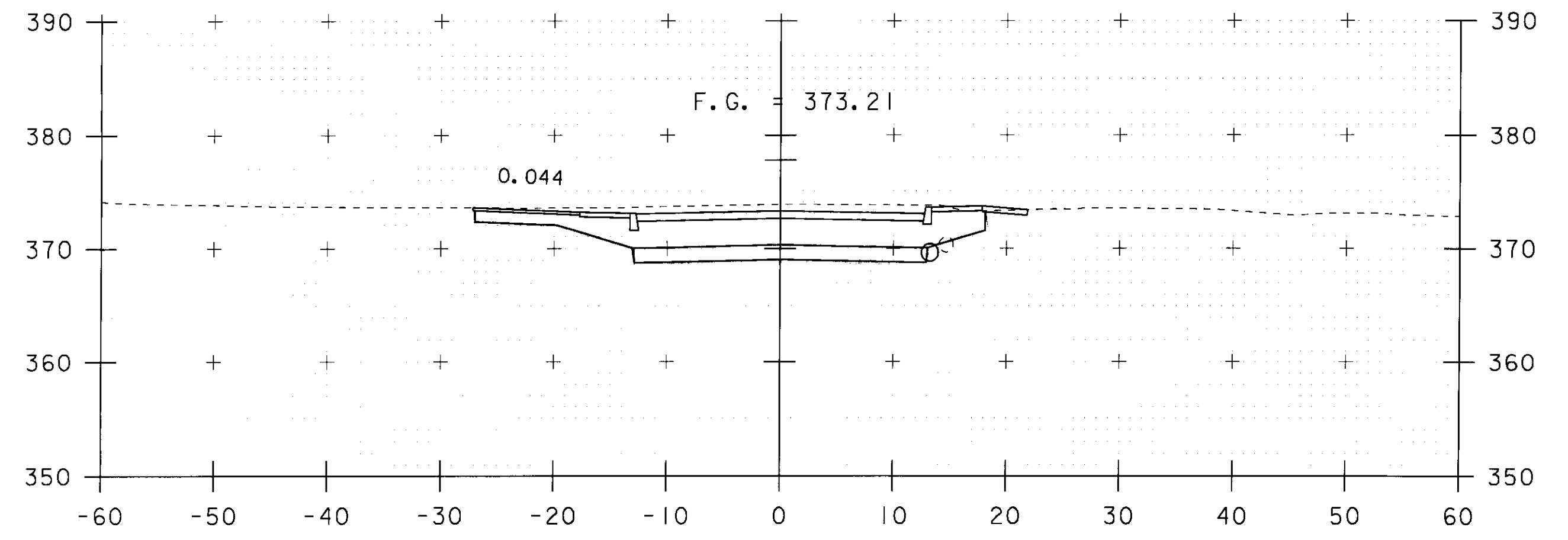


STA. 280+24.8 LT.
CONSTRUCT DRIVE

280+25



279+90



280+20

VT 104 SECTIONS - SHEET 2

PROJECT NAME: FAIRFAX	PLOT DATE: 13-JUL-2009
PROJECT NUMBER: BHF 023-(15)	DRAWN BY: L. BULLOCK
FILE NAME: 86e064/str/se064xs2.dgn	CHECKED BY: C. CARLSON
PROJECT LEADER: C. CARLSON	SHEET 47 OF 61
DESIGNED BY: C. CARLSON	
se064xs2.1	

SCALE: 1" = 10'-0"

STA. 279+90 TO STA. 280+30