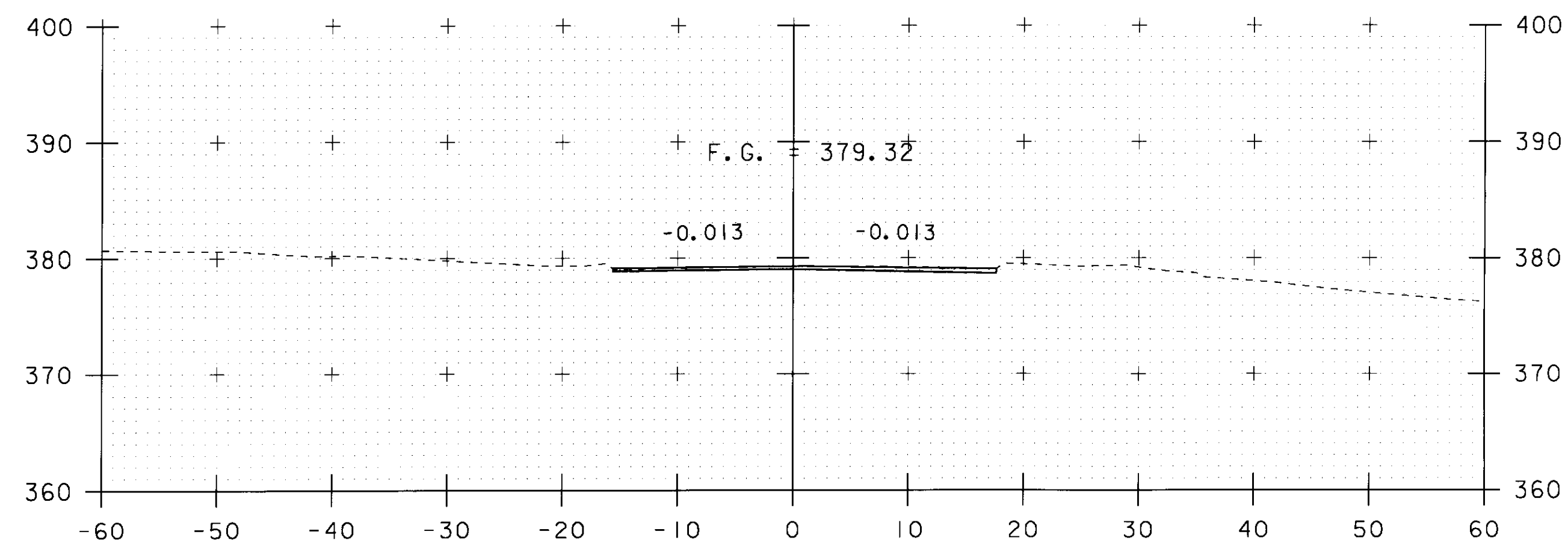
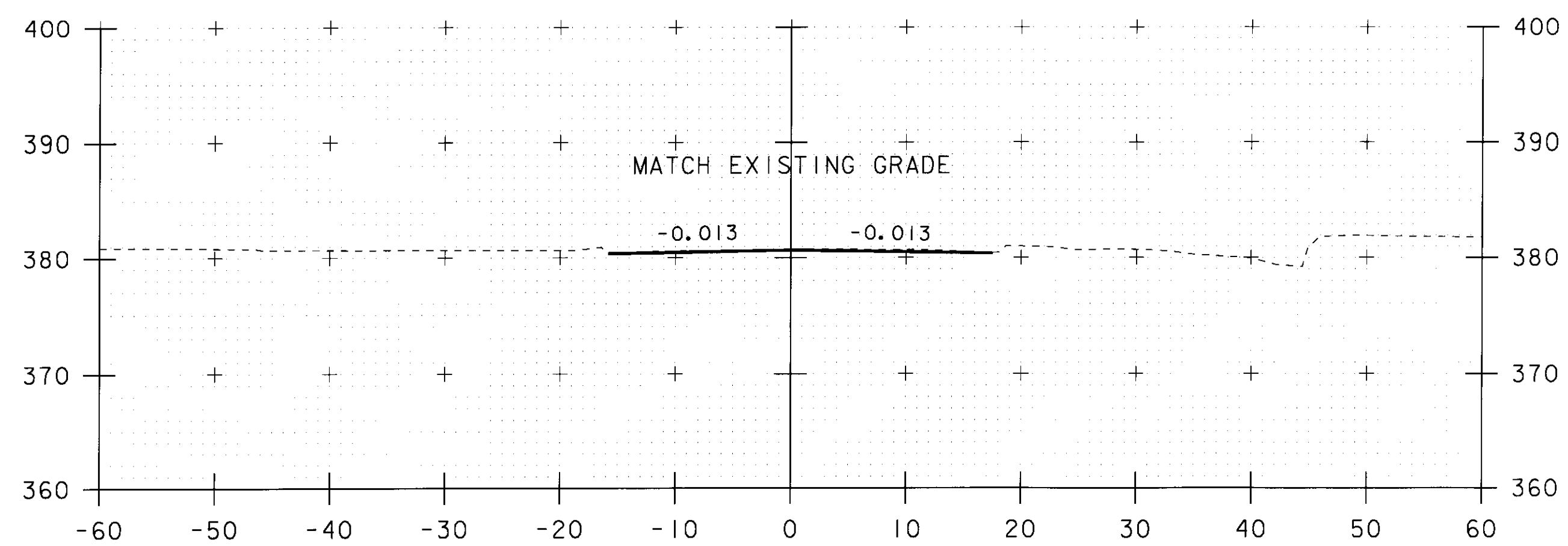


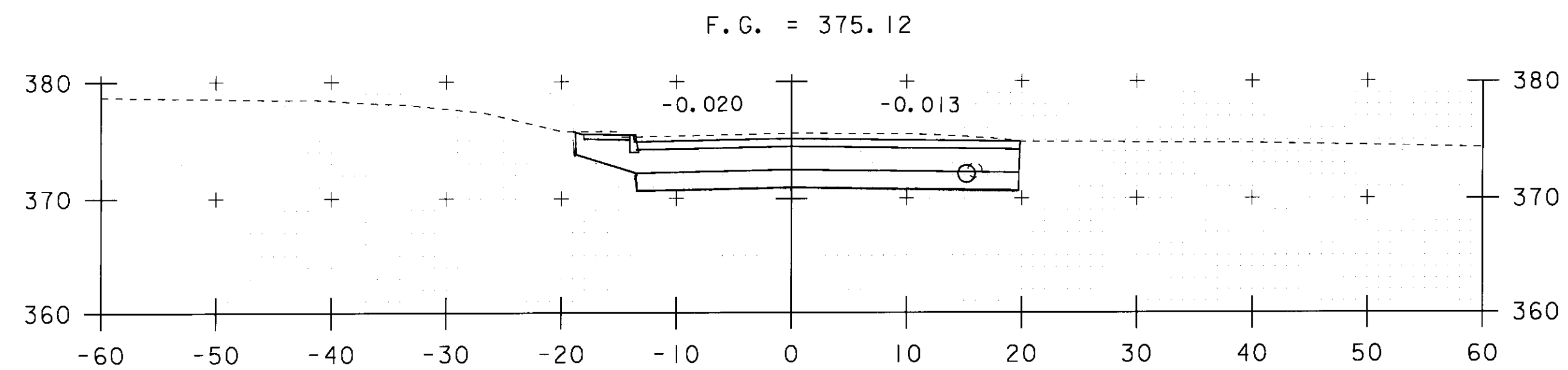
279+25



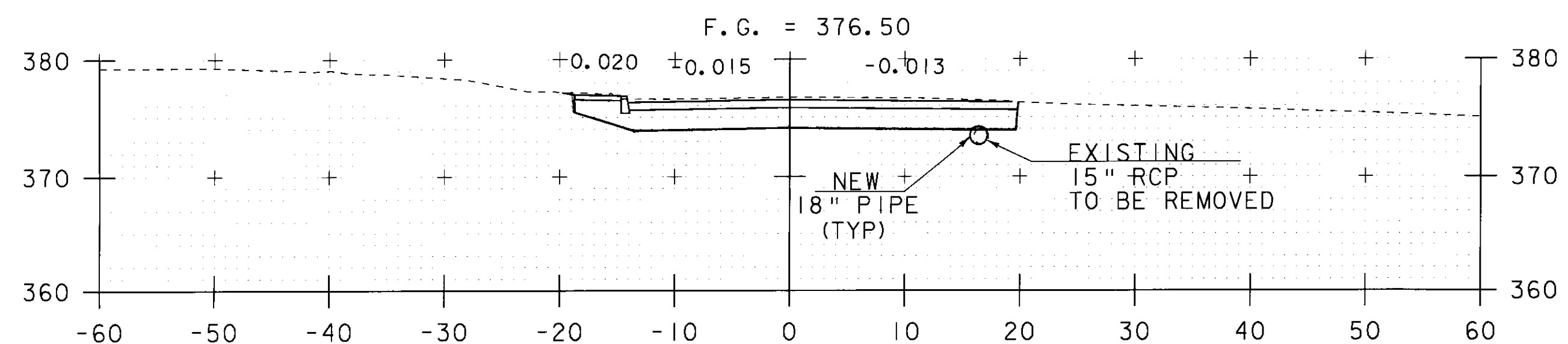
279+00



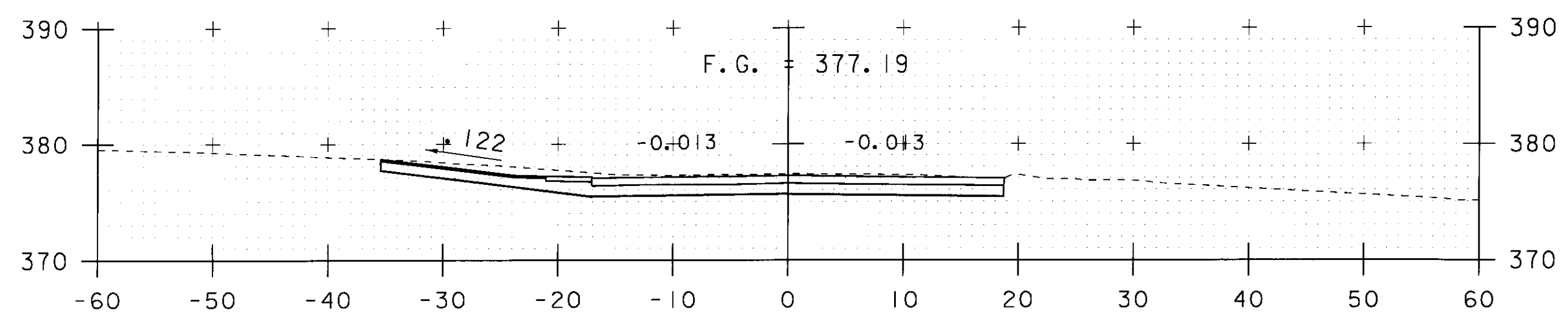
278+75
BEGIN APPROACH



279+75
END APPROACH
BEGIN PROJECT

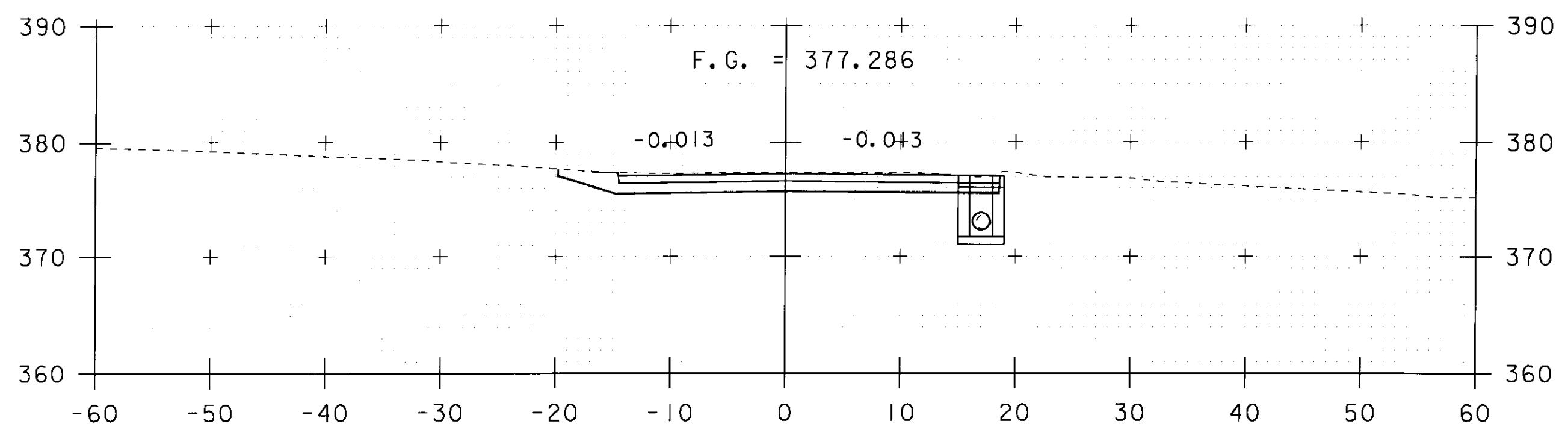


279+50

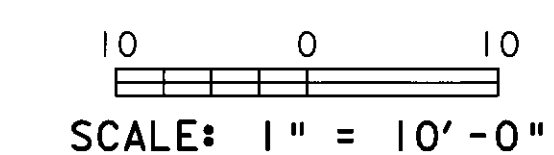


279+38

STA. 279+37.7 LT.
CONSTRUCT DRIVE



279+36



STA. 278+75 TO STA. 279+75

VT 104 SECTIONS - SHEET 1

PROJECT NAME: FAIRFAX	PLOT DATE: 13-JUL-2009
PROJECT NUMBER: BHF 023-(15)	DRAWN BY: L. BULLOCK
FILE NAME: 86e064/str/se064xs2.dgn	CHECKED BY: C. CARLSON
PROJECT LEADER: C. CARLSON	SHEET 46 OF 61
DESIGNED BY: C. CARLSON	
se064xsl1	