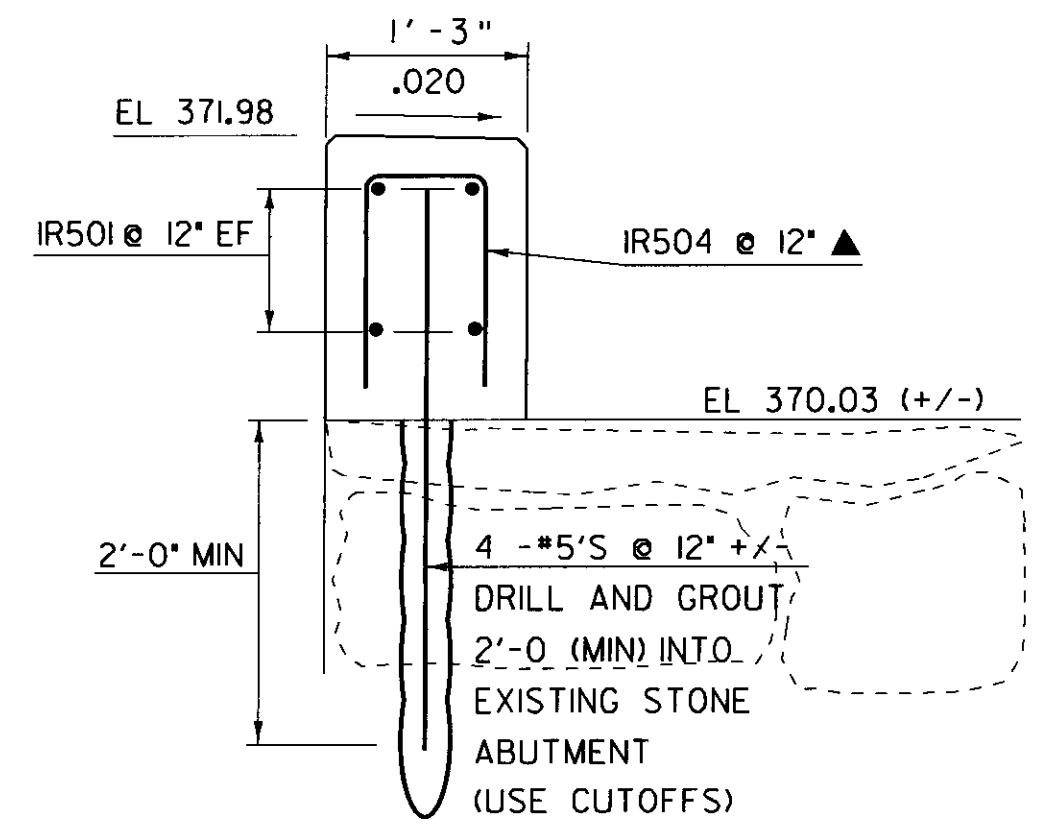
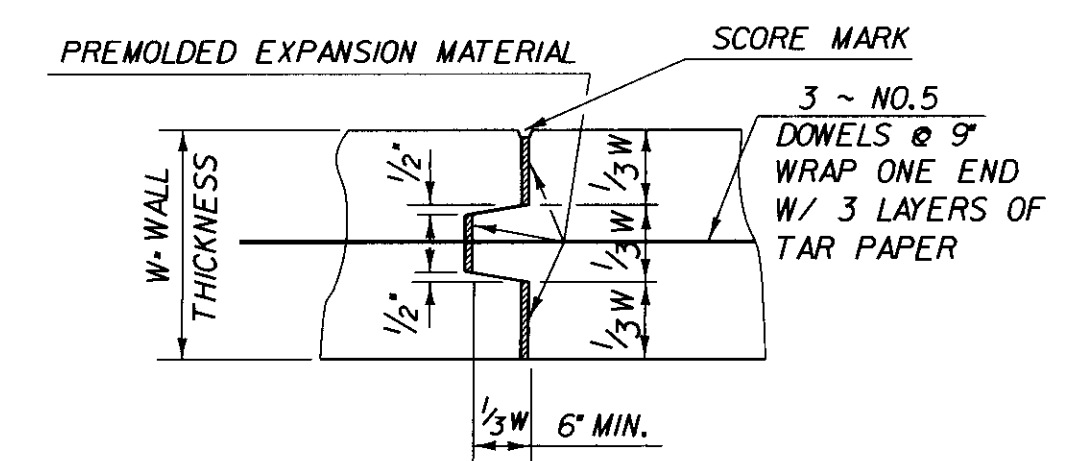


RETAINING WALL ELEVATION

SCALE 1/2" = 1'-0"



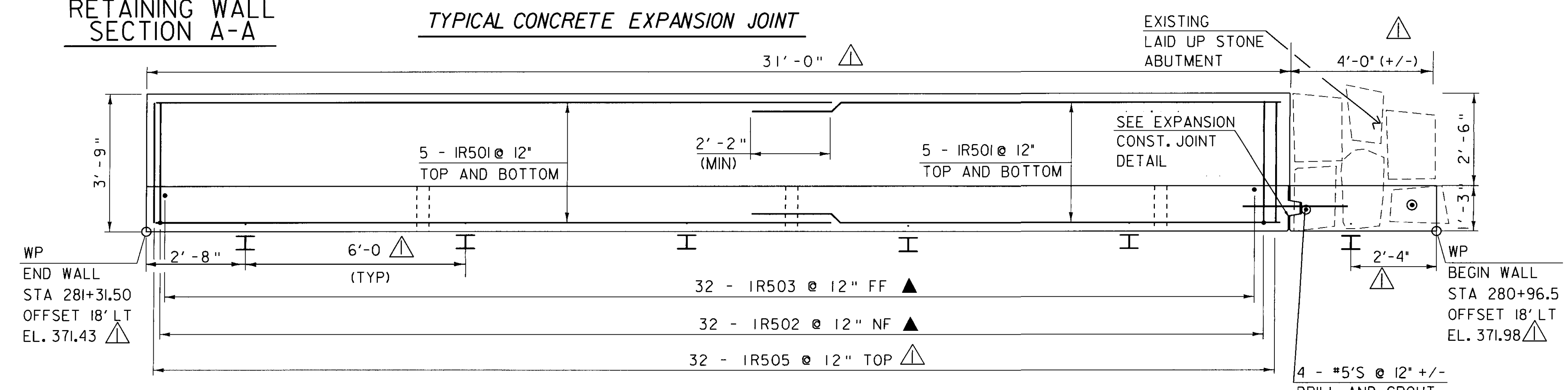
RETAINING WALL SECTION A-A



TYPICAL CONCRETE EXPANSION JOINT

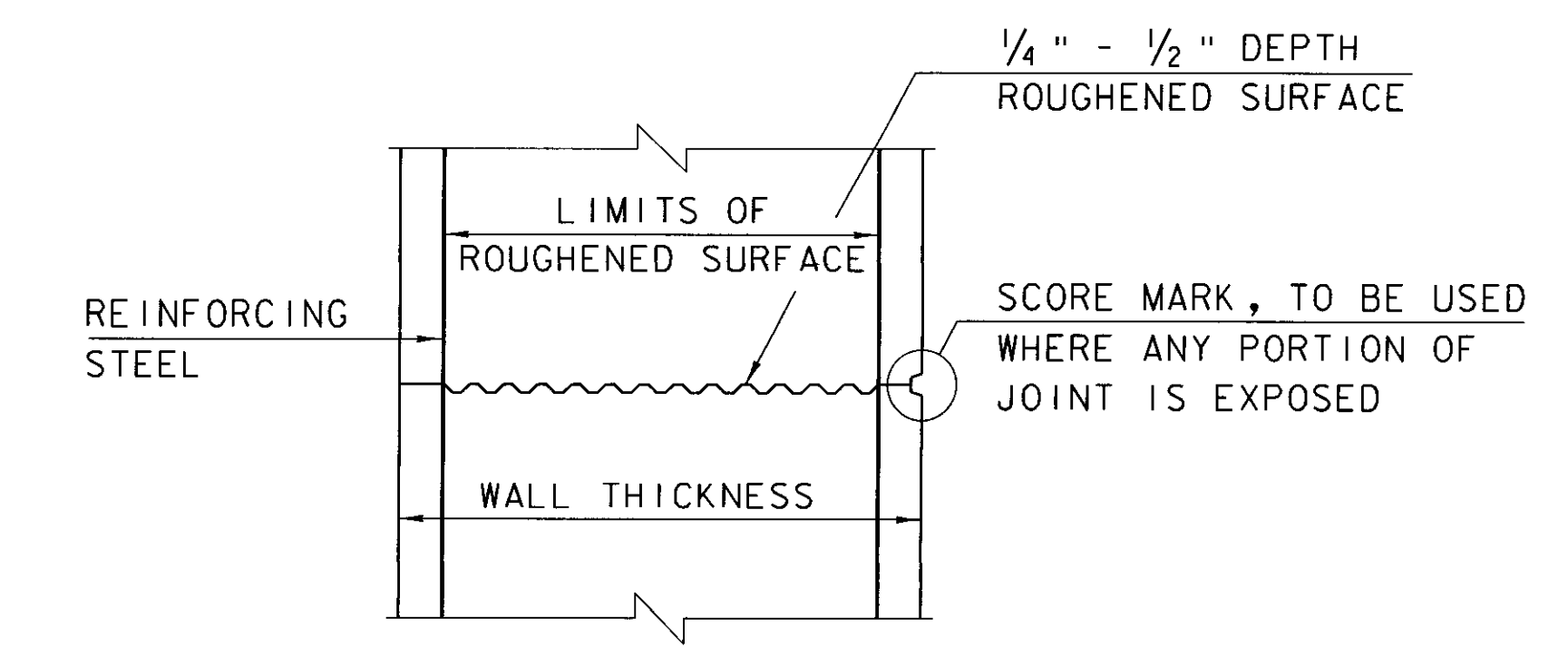
RETAINING WALL TYPICAL

SCALE 1" = 1'-0"



RETAINING WALL FOOTING PLAN

SCALE 1/2" = 1'-0"



TYPICAL HORIZONTAL CONSTRUCTION JOINT (NOT TO SCALE)

1. THE SURFACE OF THE CONCRETE CONSTRUCTION JOINTS SHALL BE CLEANED AND FREE OF LAITANCE.
2. IMMEDIATELY BEFORE NEW CONCRETE IS PLACED, ALL CONSTRUCTION JOINTS SHALL BE WETTED AND STANDING WATER REMOVED.

RETAINING WALL DETAILS

REVISION NUMBER	DESCRIPTION	DATE
▲	CHANGE DUE TO FIELD CONDITIONS	10/30/09

NOTE:
 NF = NEAR FACE
 FF = FAR FACE
 EF = EACH FACE
 ▲ = CUT TO FIT IN FIELD
 3" CLEAR, UNLESS OTHERWISE SPECIFIED ON THE PLANS.
 2'-2" BAR LAP UNLESS OTHERWISE SPECIFIED ON THE PLANS.

PROJECT NAME: FAIRFAX	PLOT DATE: 05-NOV-2009
PROJECT NUMBER: BHF 023-1(5)	DRAWN BY: C. MOONEY
FILE NAME: s86e064sub.dgn	CHECKED BY: C. CARLSON
PROJECT LEADER: C. CARLSON	DESIGNED BY: C. CARLSON
SHEET 44 OF 61	