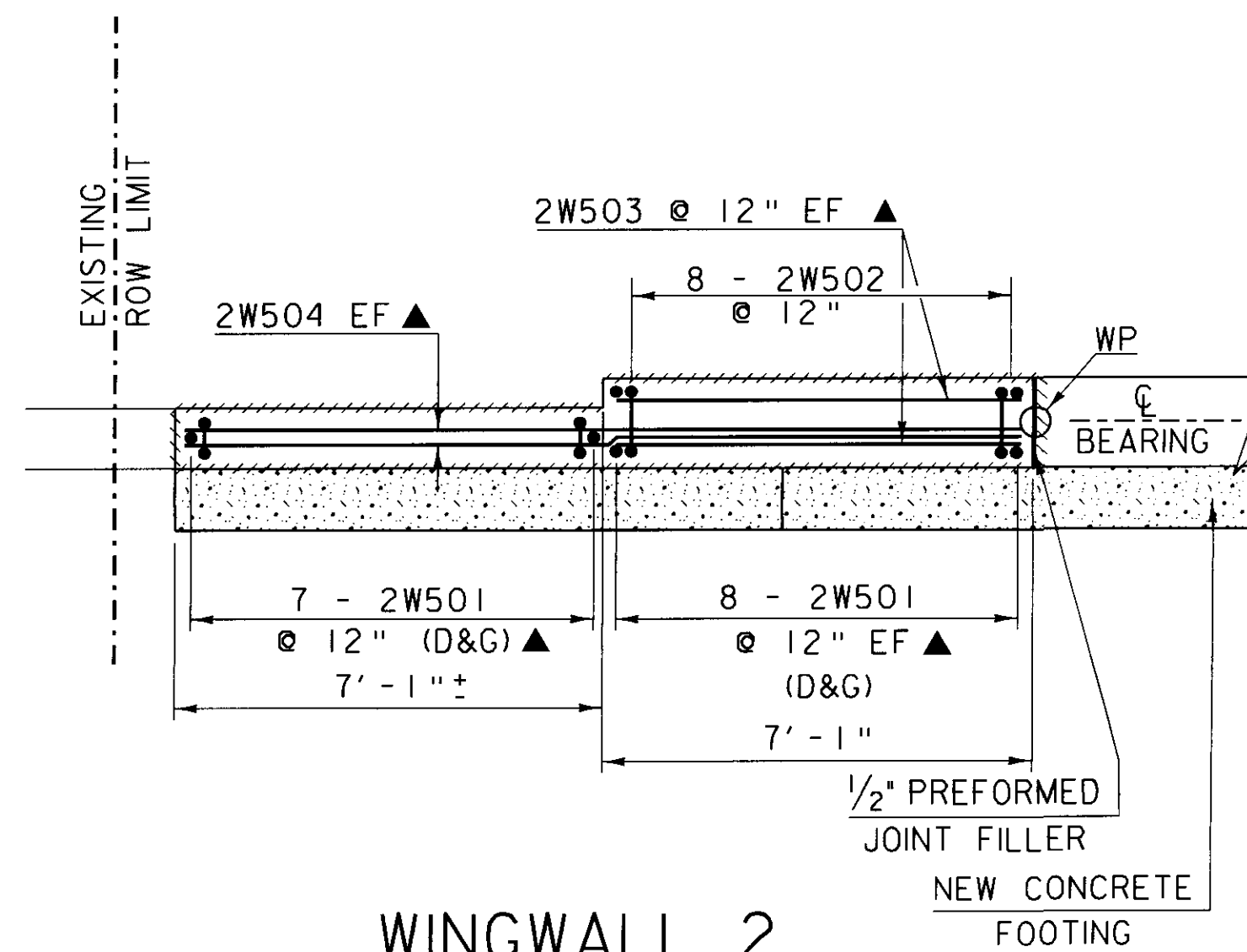


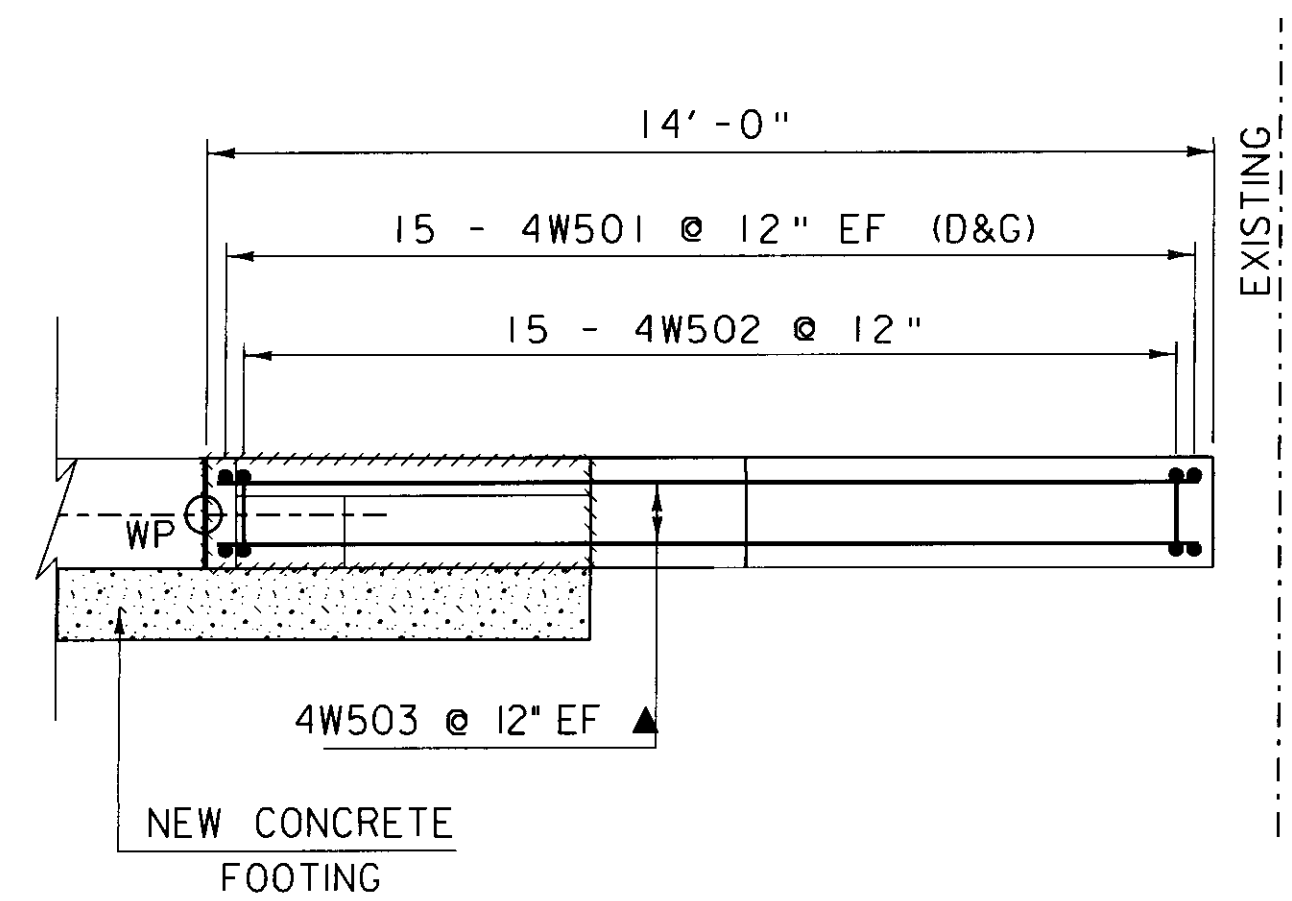
**WINGWALL 1
REINFORCING PLAN**

SCALE 3/8" = 1'-0"
0 1 2 3 4



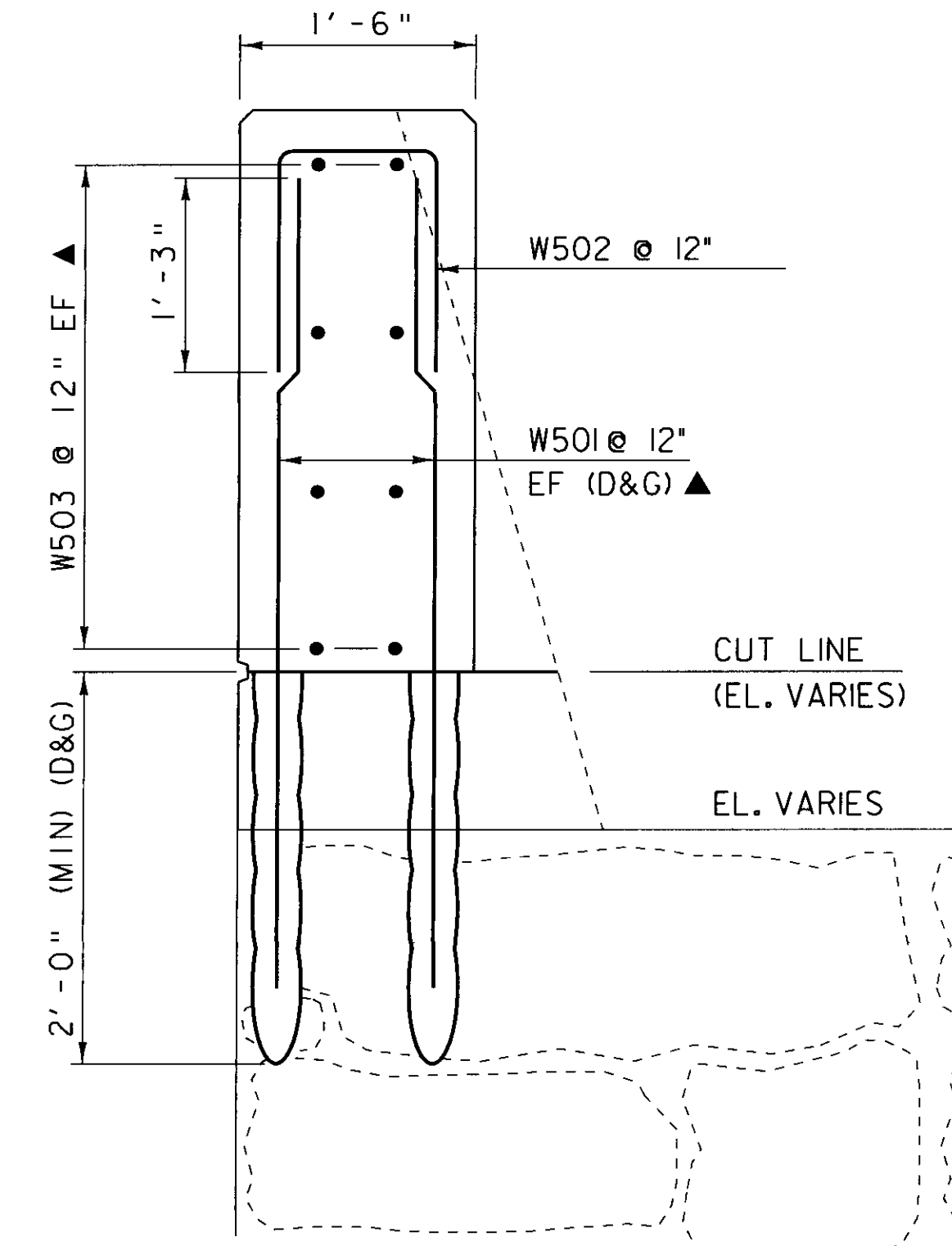
**WINGWALL 2
REINFORCING PLAN**

SCALE 3/8" = 1'-0"
0 1 2 3 4



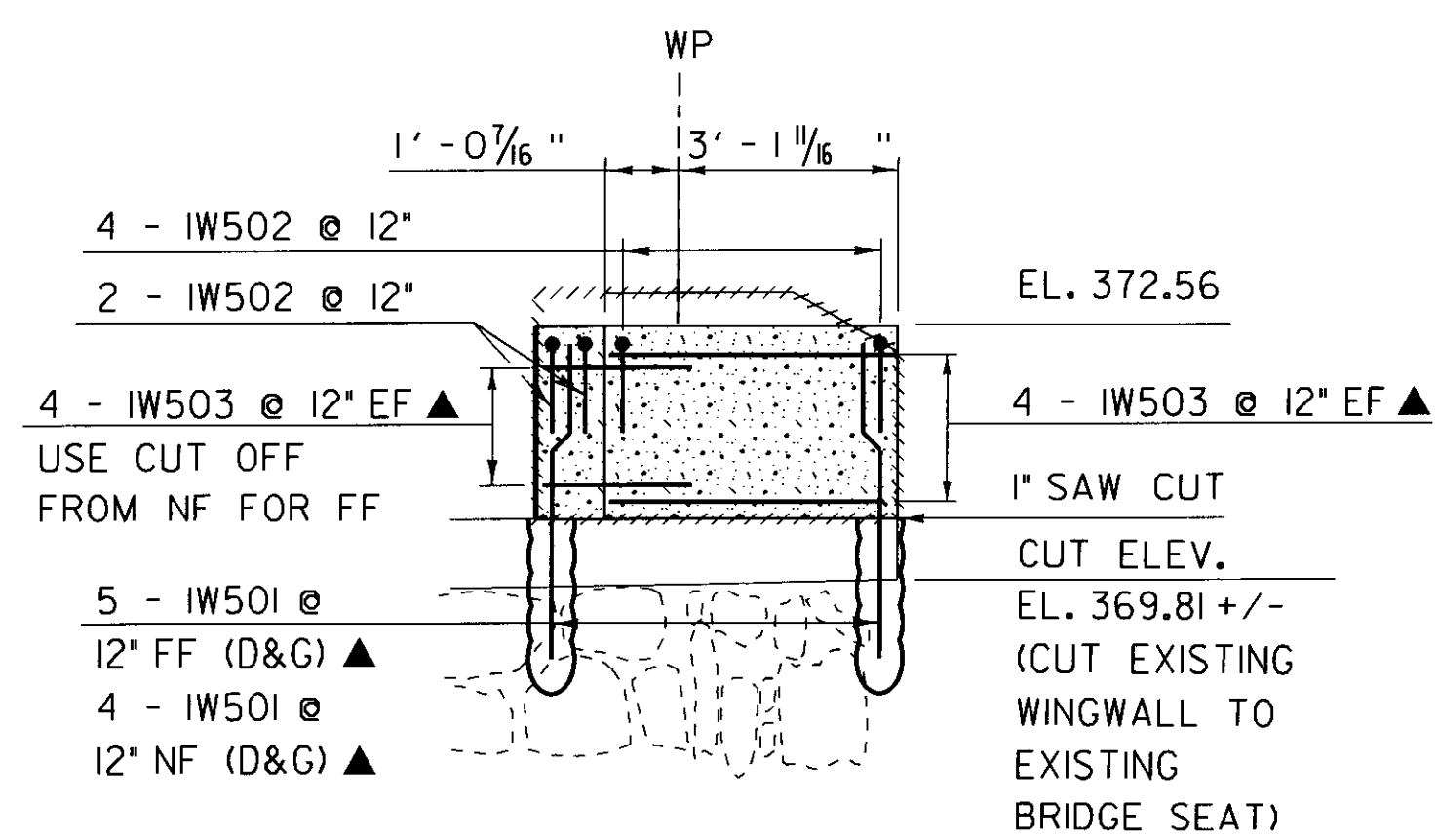
**WINGWALL 4
REINFORCING PLAN**

SCALE 3/8" = 1'-0"
0 1 2 3 4



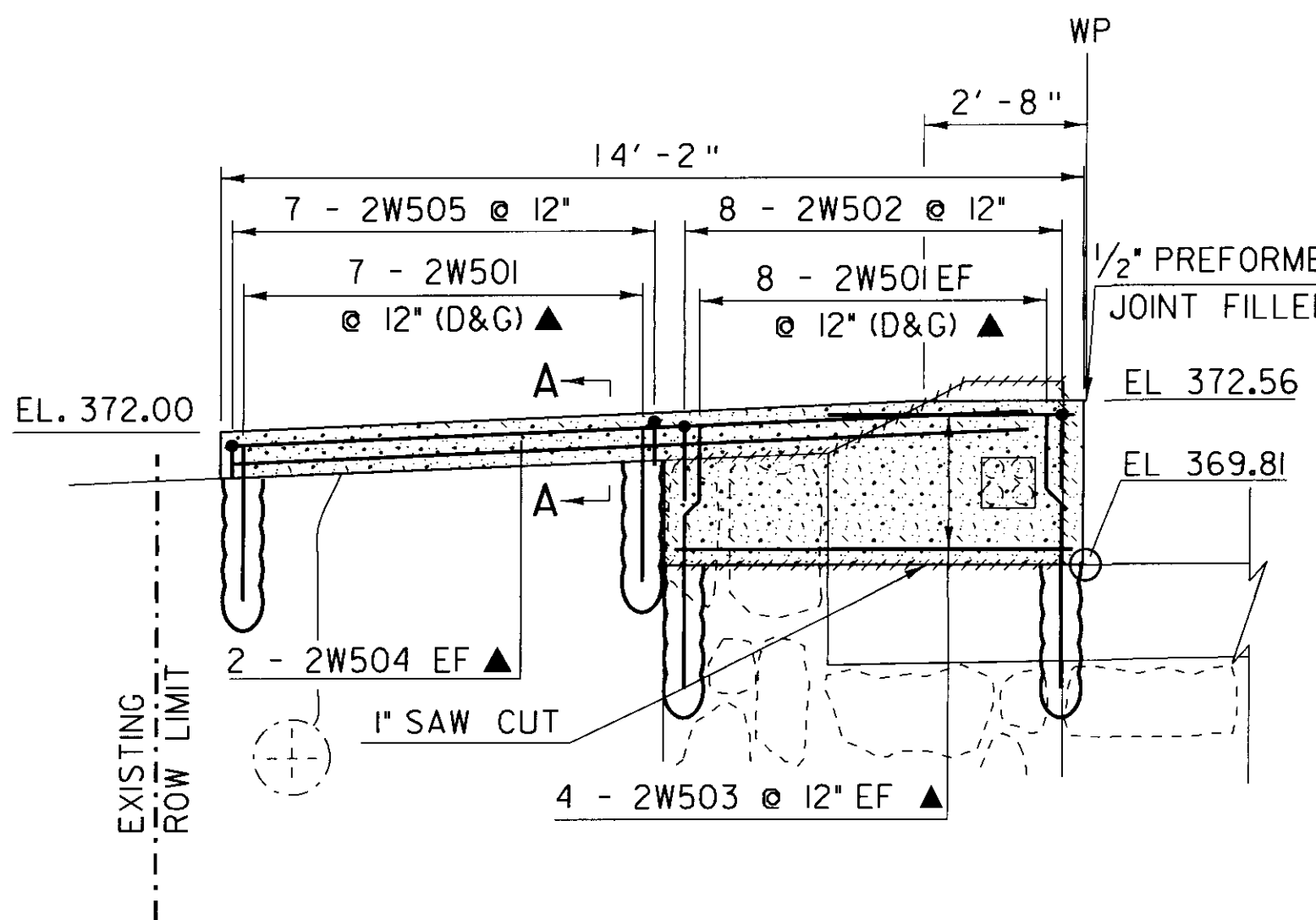
WINGWALLS 1, 2 & 4 TYPICAL

SCALE 1" = 1'-0"
0 1 2



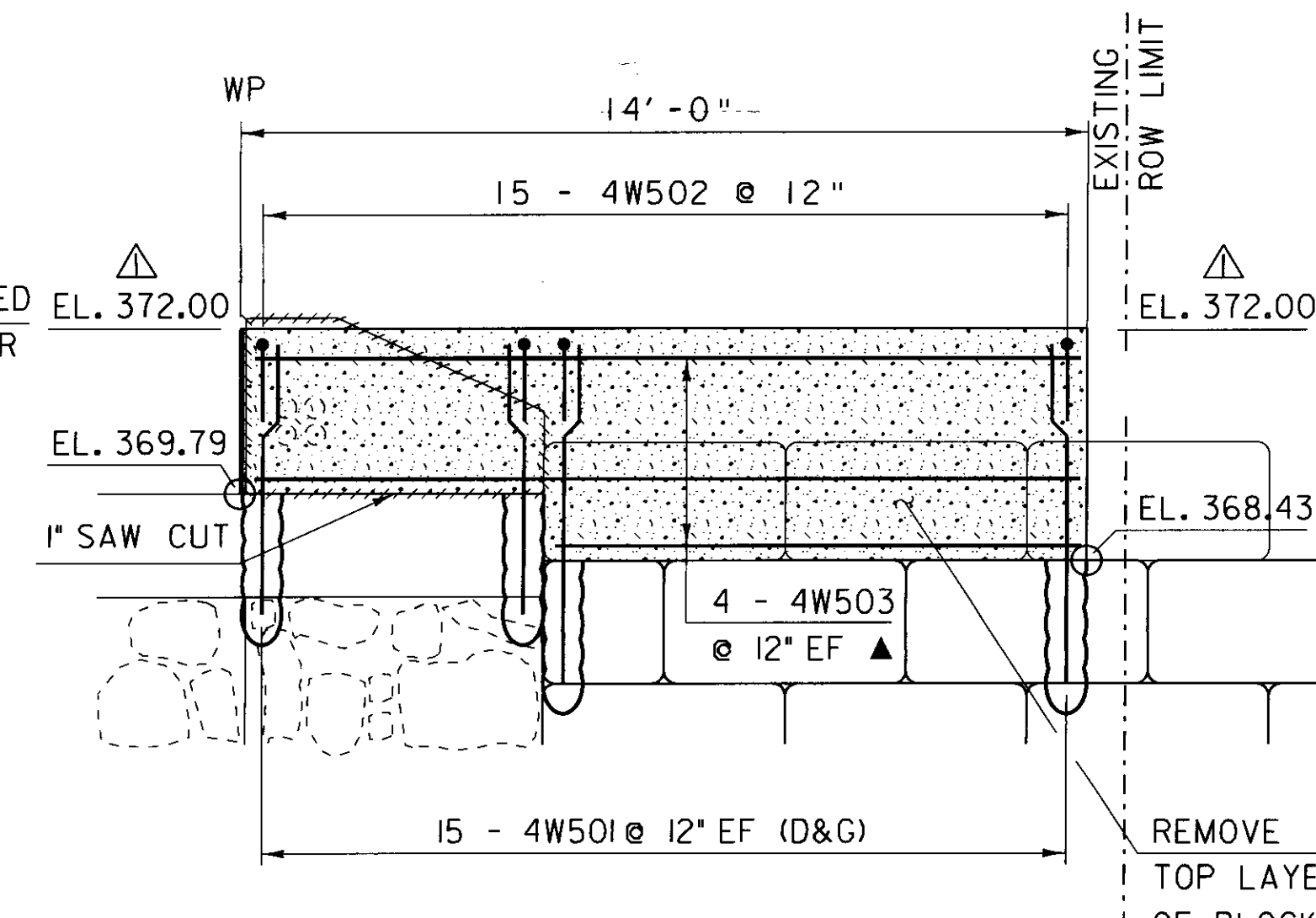
**WINGWALL 1
REINFORCING DETAIL**

SCALE 3/8" = 1'-0"
0 1 2 3 4



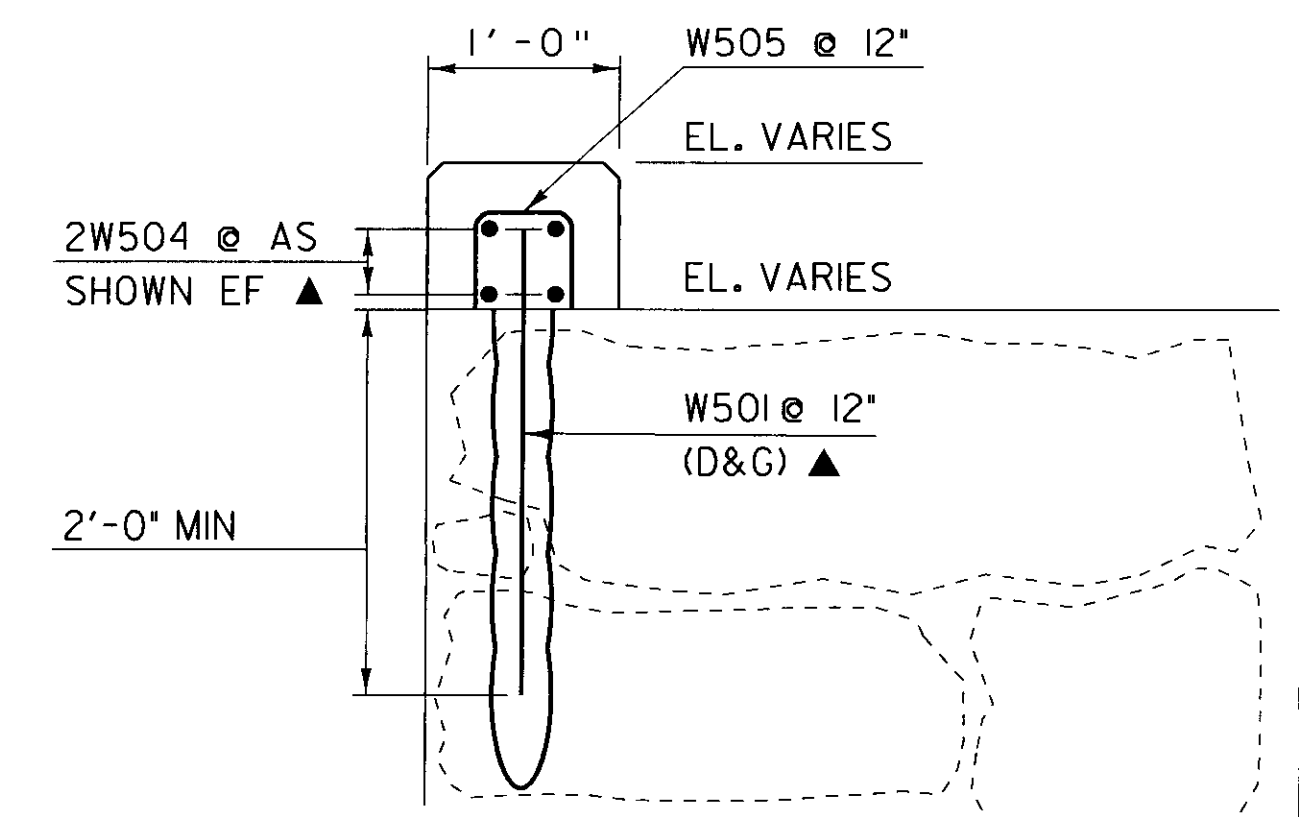
**WINGWALL 2
REINFORCING DETAIL**

SCALE 3/8" = 1'-0"
0 1 2 3 4



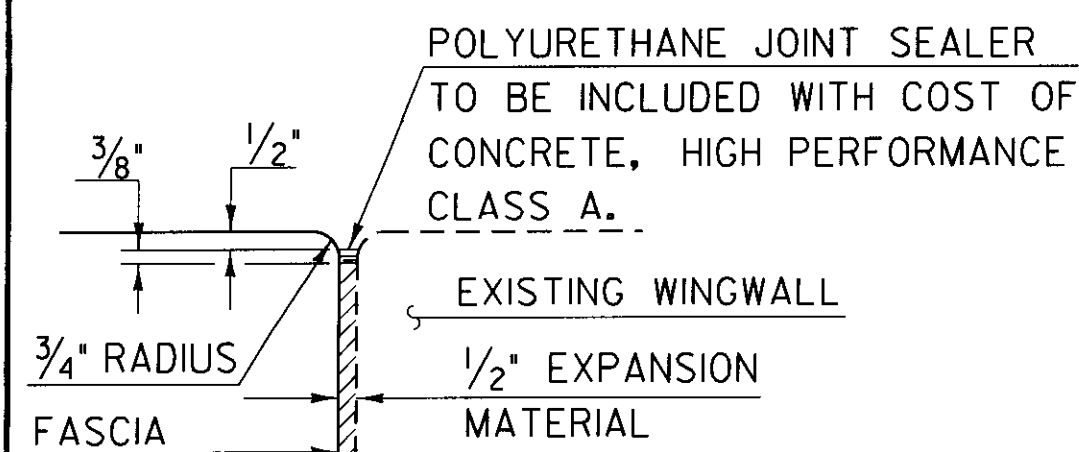
**WINGWALL 4
REINFORCING DETAIL**

SCALE 3/8" = 1'-0"
0 1 2 3 4

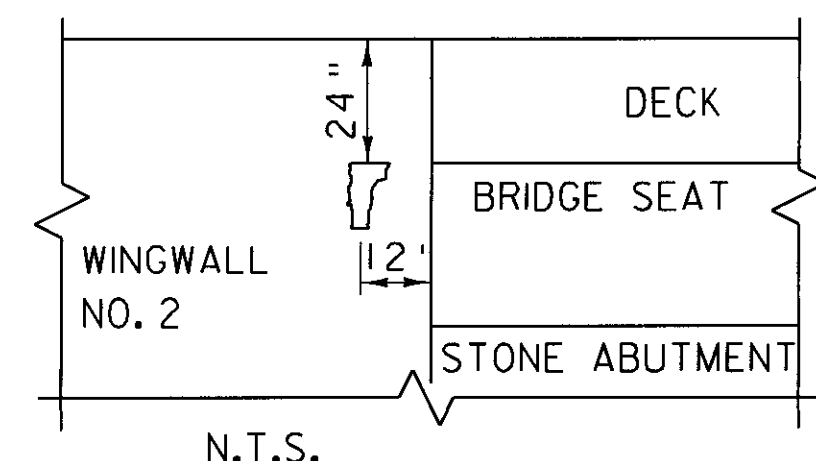


WINGWALLS 2 SECTION A-A

SCALE 1" = 1'-0"
0 1 2



**JOINT BETWEEN FASCIA
AND WINGWALL**



**LOCATE BRIDGE PLAQUE
VIEW "A - A"**

NOTE:

THE BRIDGE PLAQUE WILL BE SUPPLIED BY THE AGENCY OF TRANSPORTATION AND SHALL BE INSTALLED BY THE CONTRACTOR AT ABUTMENT #1 ON THE RIGHT SIDE AS SHOWN OR AS DIRECTED BY THE ENGINEER. THIS WORK IS INCIDENTAL TO THE ITEM "CONCRETE, HIGH PERFORMANCE CLASS B".

| REVISION NUMBER | DESCRIPTION | DATE |
|-----------------|--------------------------------|----------|
| 1 | CHANGE DUE TO FIELD CONDITIONS | 10/30/09 |

NOTE:

1. NF = NEAR FACE
2. FF = FAR FACE
3. EF = EACH FACE
4. (D&G) = DRILL AND GROUT DOWELS
5. ▲ = CUT TO FIT IN FIELD
6. 3' CLEAR, UNLESS OTHERWISE SPECIFIED ON THE PLANS.
7. 2'-2" BAR LAP UNLESS OTHERWISE SPECIFIED ON THE PLANS.

WINGWALL DETAILS

| | |
|------------------------------|------------------------|
| PROJECT NAME: FAIRFAX | PLOT DATE: 05-NOV-2009 |
| PROJECT NUMBER: BHF 023-(15) | DRAWN BY: C. MOONEY |
| FILE NAME: s86e064sub.dgn | CHECKED BY: C. CARLSON |
| DESIGNED BY: C. CARLSON | SHEET 43 OF 61 |