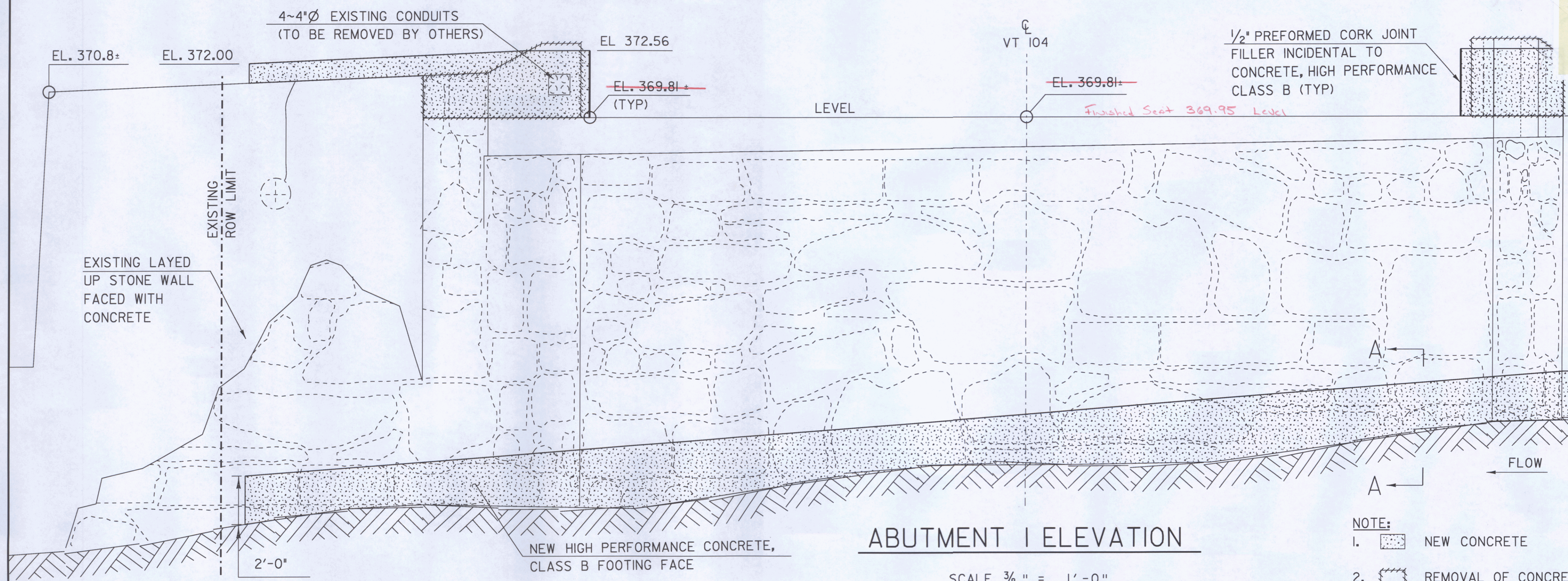
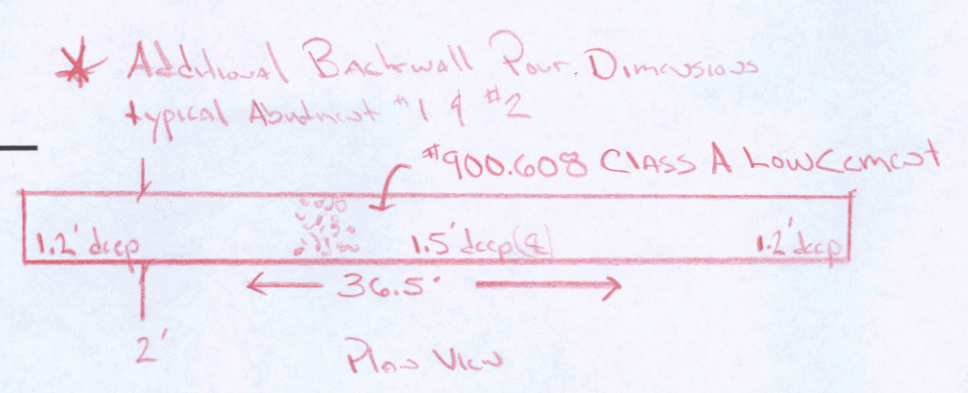


ABUTMENT I PLAN

SCALE 3/8" = 1'-0"



ABUTMENT I ELEVATION

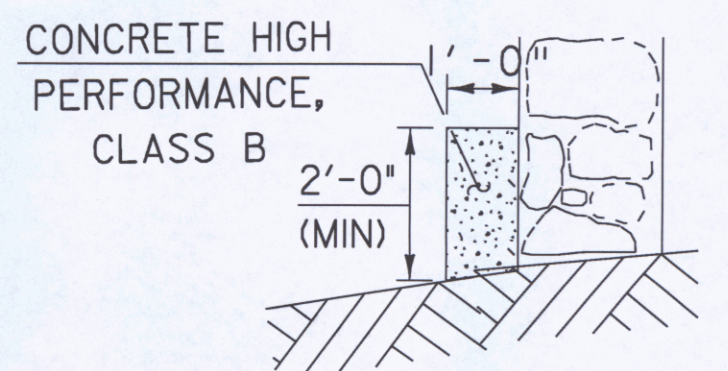
SCALE 3/8" = 1'-0"

- NOTE:
1. [Pattern] NEW CONCRETE
 2. [Pattern] REMOVAL OF CONCRETE OR MASONRY
 3. SEE SHEET 43 FOR WINGWALL DETAILS

Handwritten notes on graph paper. At the top, it says 'MATERIAL 1 Repeating' and 'Scale 1/4" = 1'-0"'. Below is a diagram of a bridge deck with various dimensions and labels like 'Concrete Wall', 'Bridge Deck', 'Footing', and 'WP'. To the right, there is a list of calculations for area and volume, including items like '12m G0230 Repeating Masonry (CY)' and '900 G75 Repeating Masonry (CY)'. The calculations involve multiplying dimensions to find areas and volumes. At the bottom, there is a total calculation: 'TOTAL = 444.55'. There are also some notes about 'Values shown adjusted with equation' and 'This reports the % of Area from Above'.

EXISTING ABUTMENT I TYPICAL

SCALE 1" = 1'-0"



SECTION A-A
SCALE 3/8" = 1'-0"

ABUTMENT I DETAILS

PROJECT NAME:	FAIRFAX
PROJECT NUMBER:	BHF 023-1(5)
FILE NAME:	s86e064sub.dgn
PROJECT LEADER:	C. CARLSON
DESIGNED BY:	C. CARLSON
PLOT DATE:	20-JUL-2009
DRAWN BY:	C. MOONEY
CHECKED BY:	C. CARLSON
SHEET 41	OF 61