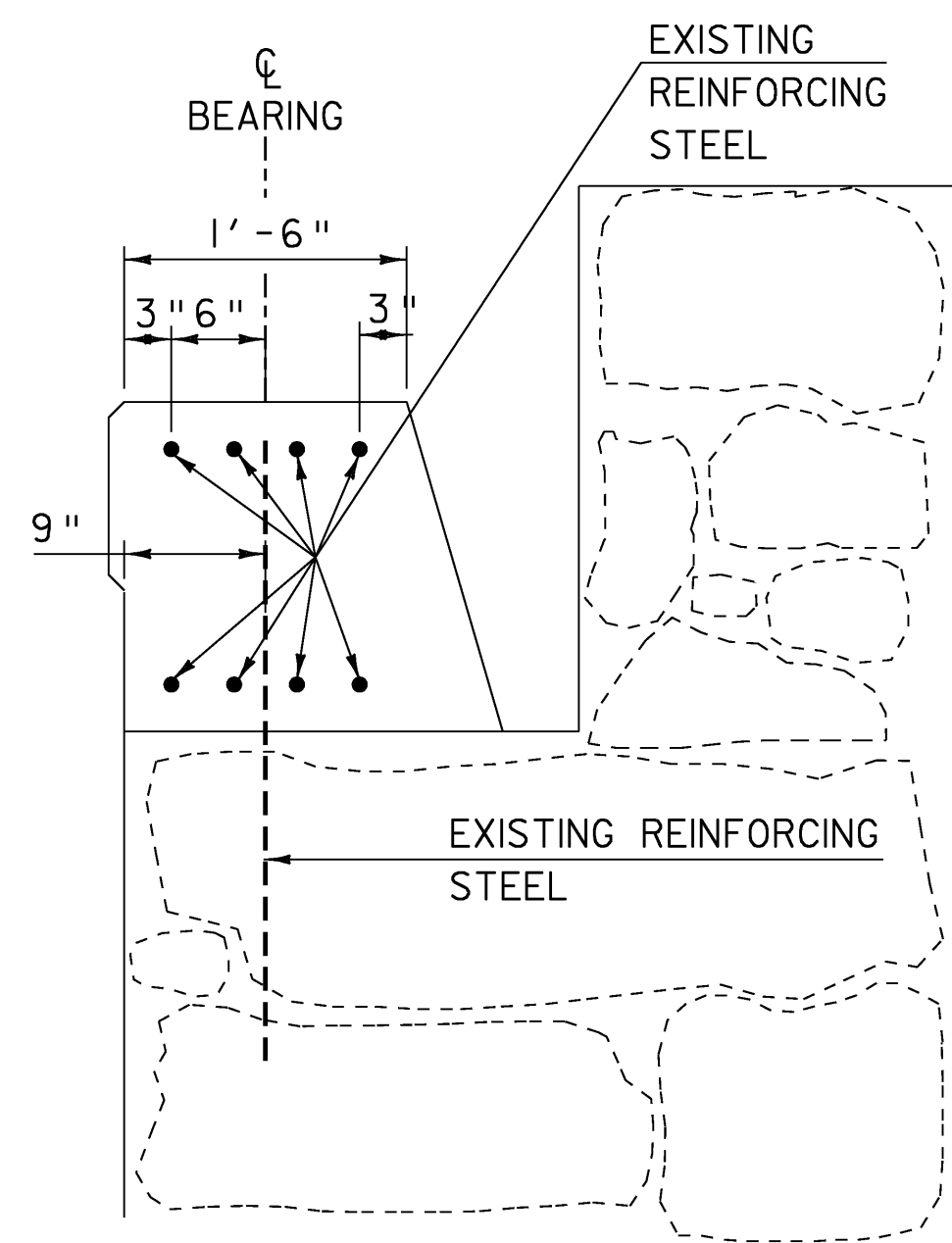


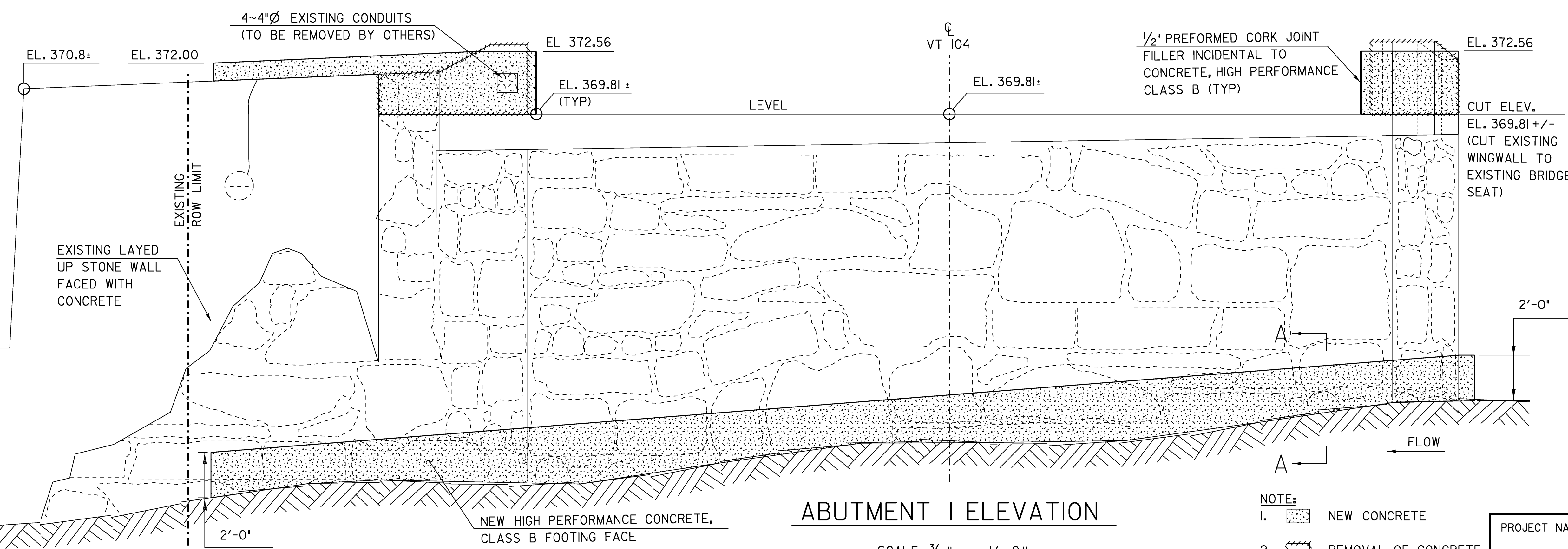
ABUTMENT I PLAN

SCALE 3/8" = 1'-0"
 1 0 1 2 3 4



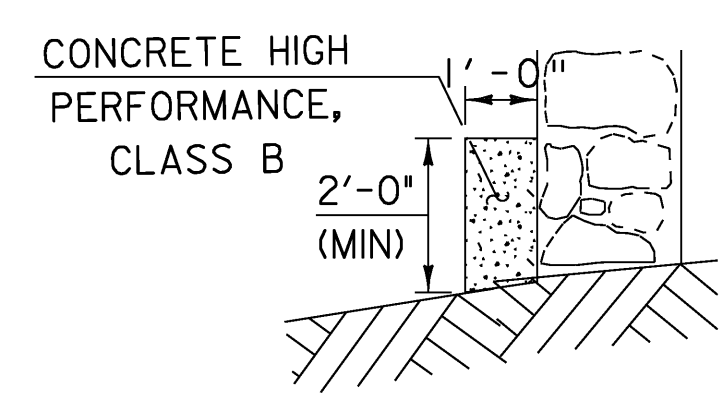
EXISTING ABUTMENT I TYPICAL

SCALE 1" = 1'-0"
 1 9 6 3 0 2



ABUTMENT I ELEVATION

SCALE 3/8" = 1'-0"
 1 0 1 2 3 4



SECTION A-A

SCALE 3/8" = 1'-0"
 1 0 1 2 3 4

- NOTE:**
1. [Pattern] NEW CONCRETE
 2. [Pattern] REMOVAL OF CONCRETE OR MASONRY
 3. SEE SHEET 43 FOR WINGWALL DETAILS

ABUTMENT I DETAILS

PROJECT NAME: FAIRFAX	FILE NAME: s86e064sub.dgn	PLOT DATE: 20-JUL-2009
PROJECT NUMBER: BHF 023-I(5)	PROJECT LEADER: C. CARLSON	DRAWN BY: C. MOONEY
	DESIGNED BY: C. CARLSON	CHECKED BY: C. CARLSON
		SHEET 41 OF 61