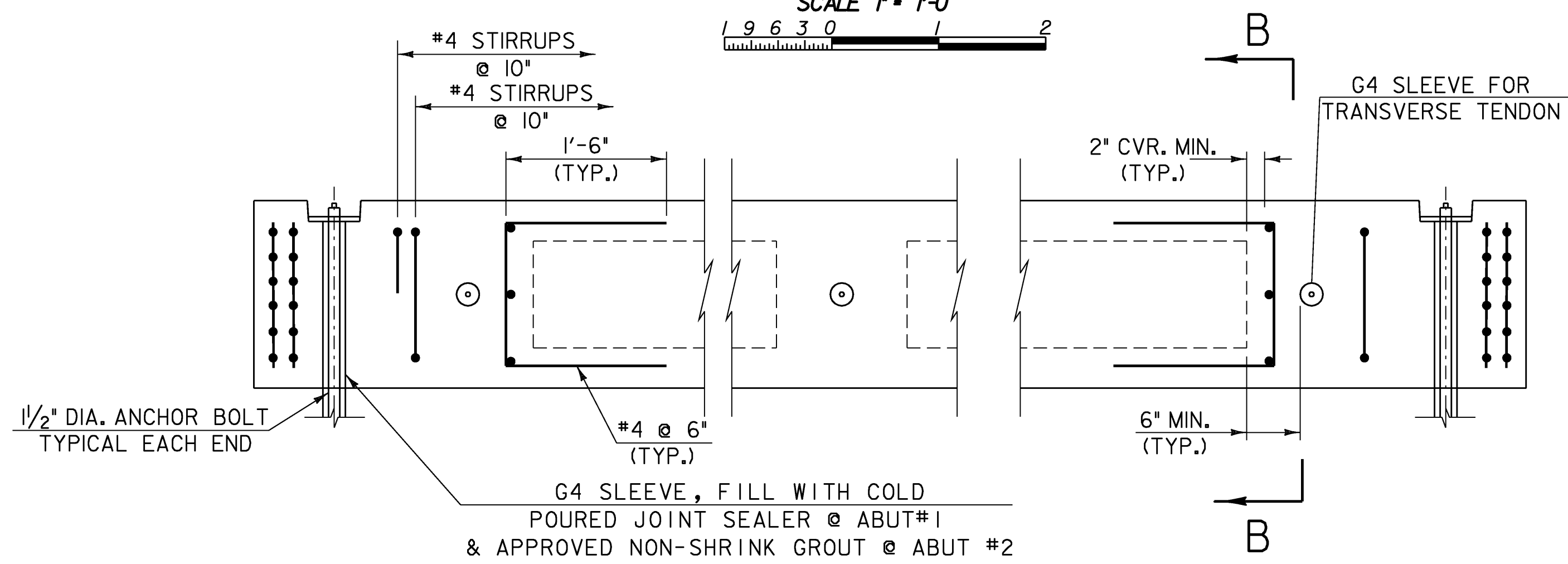


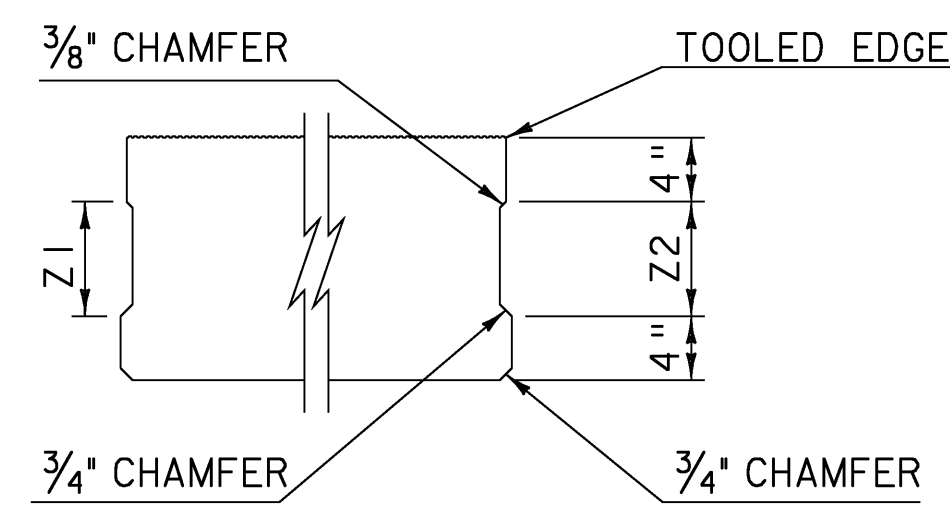
PLAN OF END BLOCK DETAIL
(UNITS 3-7)

SCALE 1" = 1'-0"
1 9 6 3 0 1 2



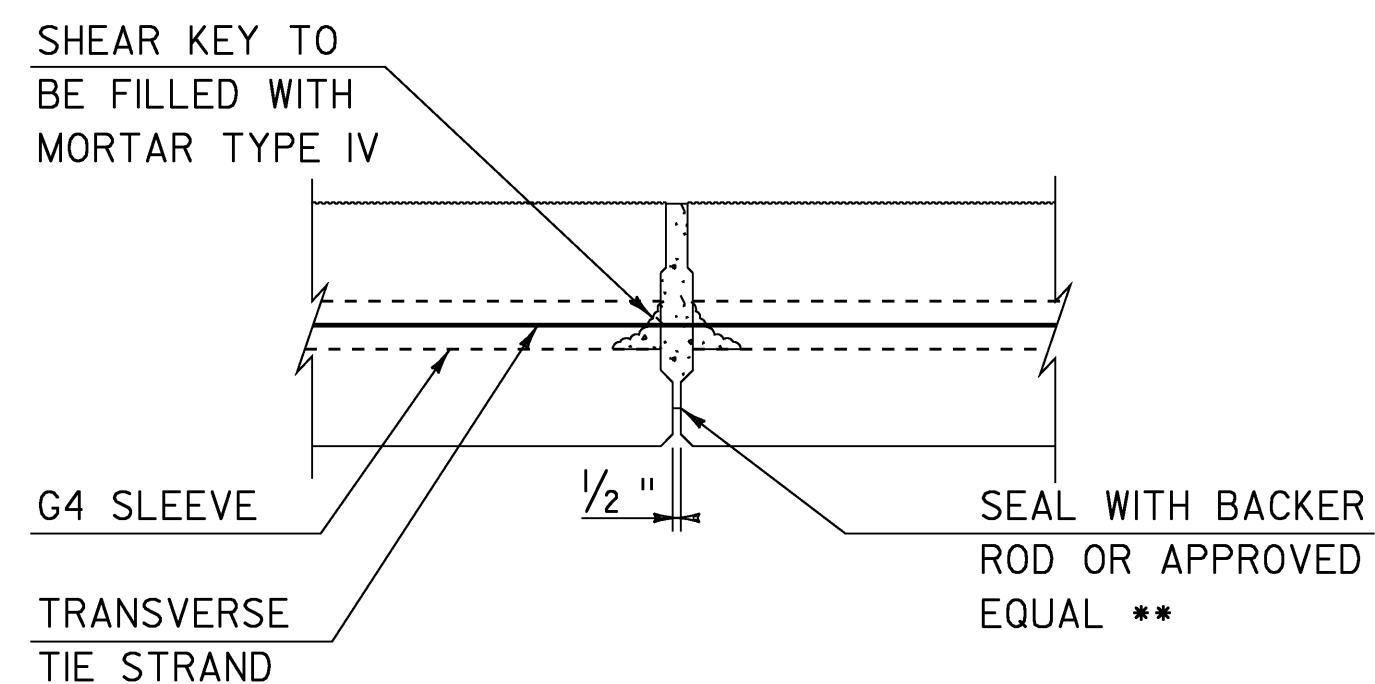
VOIDED SLAB SECTION A-A

SCALE 1" = 1'-0"
1 9 6 3 0 1 2



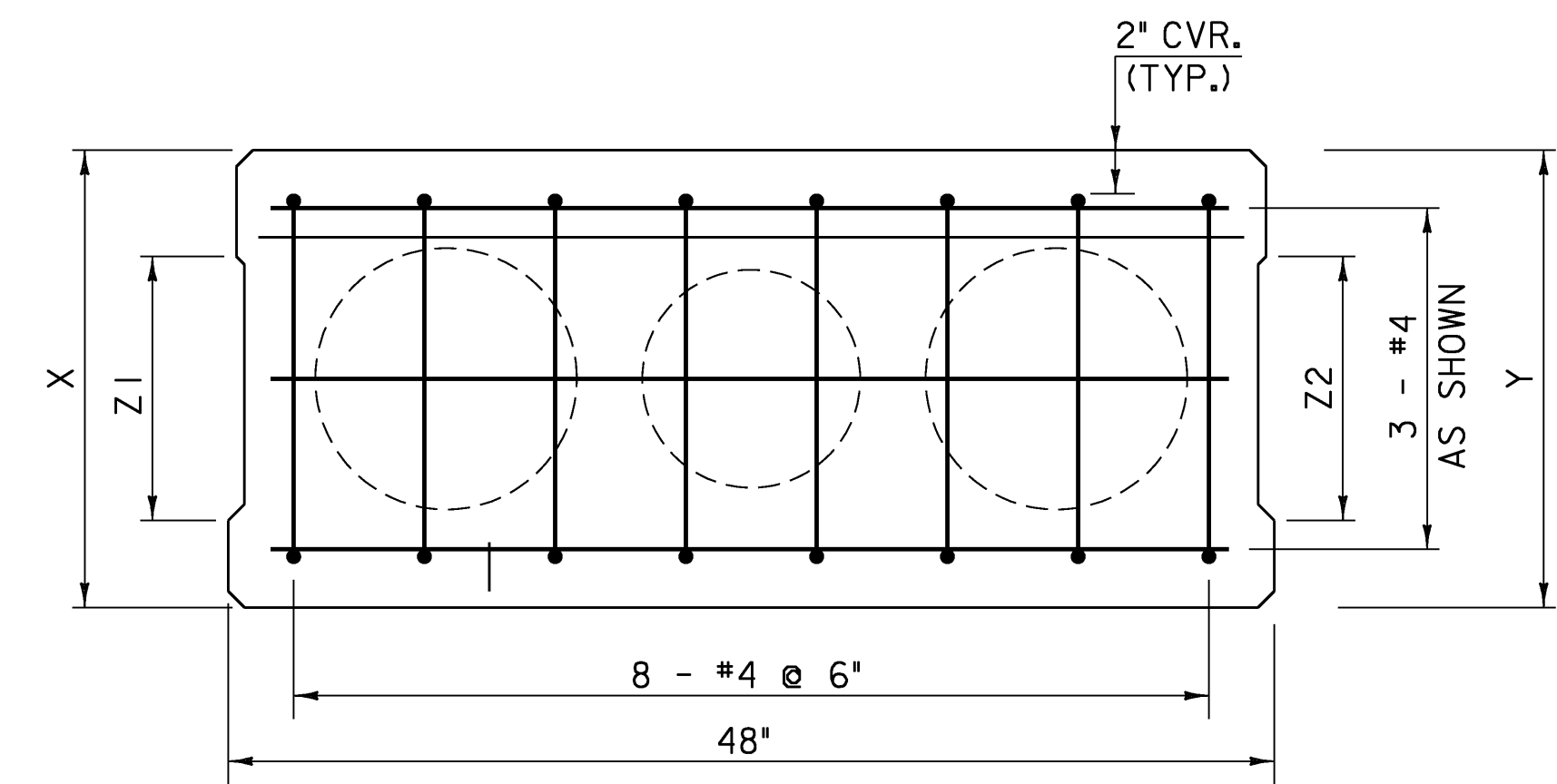
SHEAR KEY DETAIL
FOR VOIDED SLAB

SCALE 1" = 1'-0"
1 9 6 3 0 1 2



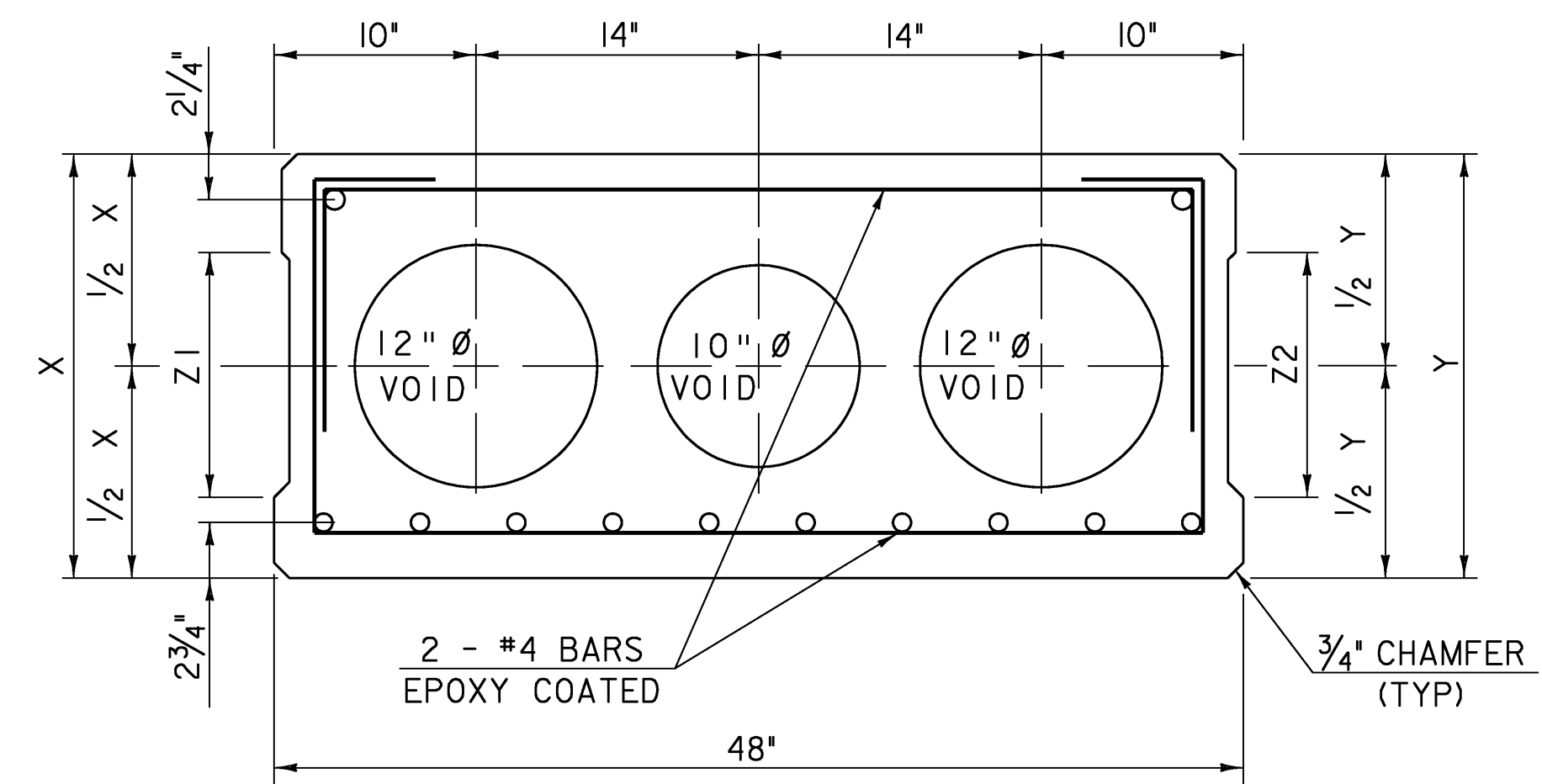
SHEAR KEY SECTION
FOR VOIDED SLAB

SCALE 1" = 1'-0"
1 9 6 3 0 1 2



SECTION B-B

SCALE 1 1/2" = 1'-0"
1 9 6 3 0 1



VARIED DEPTH X 48" VOIDED SLAB

SCALE 1 1/2" = 1'-0"
1 9 6 3 0 1

VOIDED SLAB NO.	QUANTITY	(X") DEPTH	(Y") DEPTH	(Z1") DEPTH	(Z2") DEPTH	# STRANDS BOTTOM @ 2 3/4"	# STRANDS TOP
UNIT 3 & 7	2	19"	20"	11"	12"	10	2 @ 16 3/4"
UNIT 4 & 6	2	20"	21"	12"	13"	10	2 @ 17 3/4"
UNIT 5	1	21"	21"	13"	13"	10	2 @ 18 3/4"

VOIDED SLAB UNITS 3 - 7

PROJECT NAME: FAIRFAX	PLOT DATE: 13-JUL-2009
PROJECT NUMBER: BHF 023-I(5)	DRAWN BY: str3
FILE NAME: 86e064\str\se064sup.dgn	CHECKED BY: C. CARLSON
PROJECT LEADER: C. CARLSON	SHEET 39 OF 61
DESIGNED BY: C. CARLSON	
se064ssd2.1	

**NOTE:
INSTALL BACKER ROD
AFTER UNITS HAVE
BEEN PLACED