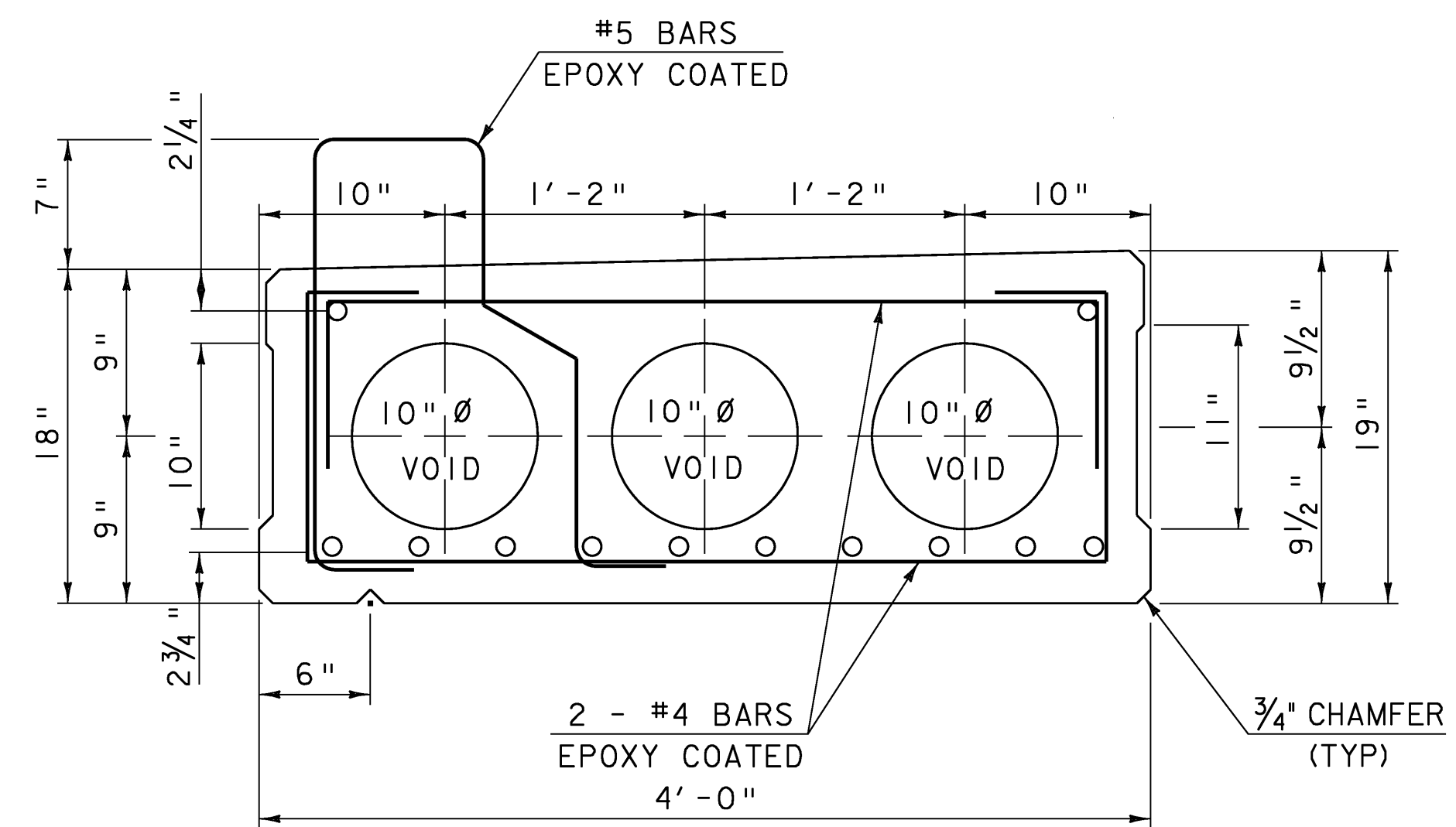
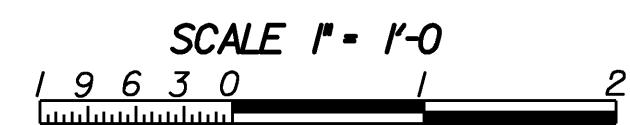
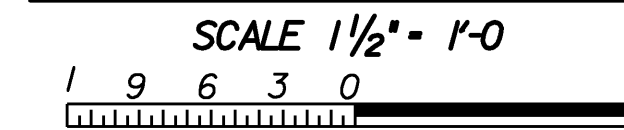


PLAN OF END BLOCK DETAIL
UNITS 2 and 8

NOTE: UNIT 8 IS MIRROR IMAGE TO UNIT 2.

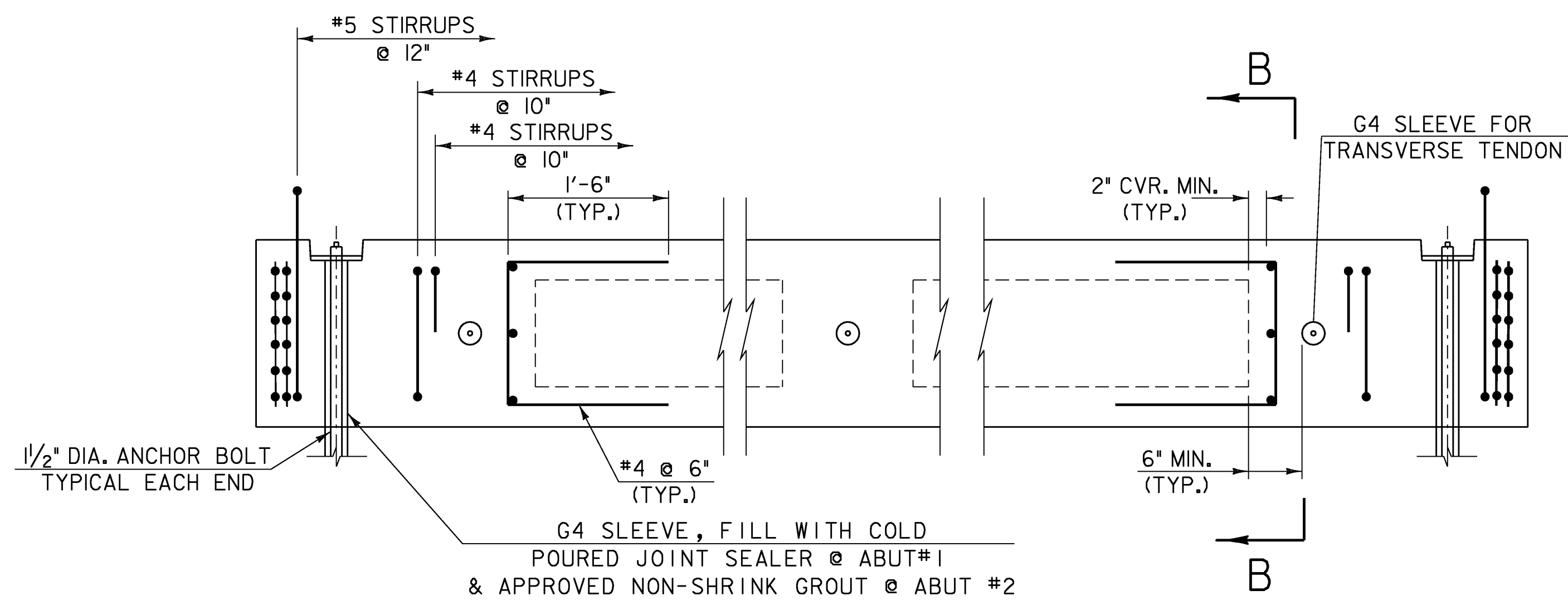


18" X 48" VOIDED SLAB
UNITS 2 and 8

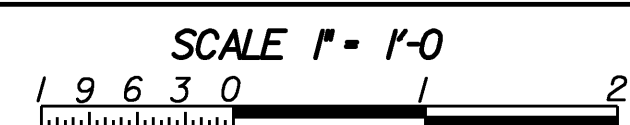


ROW #	# STRANDS
1 @ 2 3/4"	10
2 @ 15 3/4"	2

- NOTES:
- UNIT 8 IS MIRROR IMAGE TO UNIT 2. SEE SHEET 39 FOR SHEAR KEY DETAIL
 - ROUGHEN SURFACE 1/4" TO 1/2" FOR 12" UNDER SIDEWALK.



VOIDED SLAB SECTION A-A



VOIDED SLAB UNITS 2 & 8

PROJECT NAME: FAIRFAX	PLOT DATE: 13-JUL-2009
PROJECT NUMBER: BHF 023-I(5)	DRAWN BY: str3
FILE NAME: 86e064\str\se064sup.dgn	CHECKED BY: C. CARLSON
DESIGNED BY: C. CARLSON	SHEET 38 OF 61
se064ssdl	