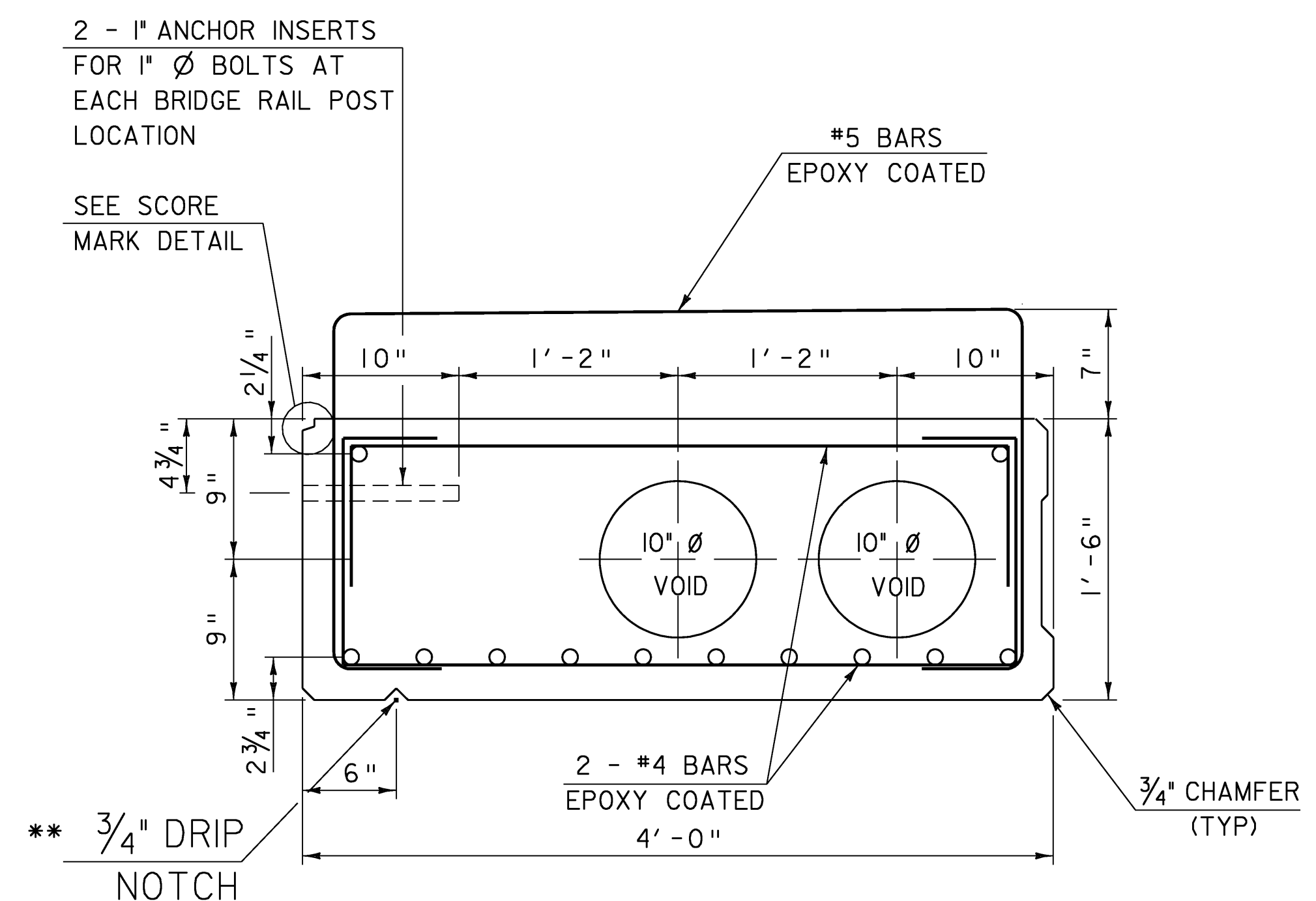
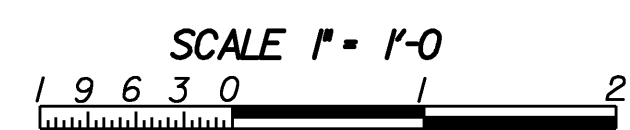


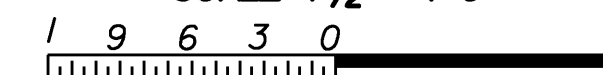
**PLAN OF END BLOCK DETAIL
(UNIT 1)**

NOTE: UNIT 9 IS MIRROR IMAGE TO UNIT 1.



**18" X 48" VOIDED SLAB
UNITS 1 AND 9**

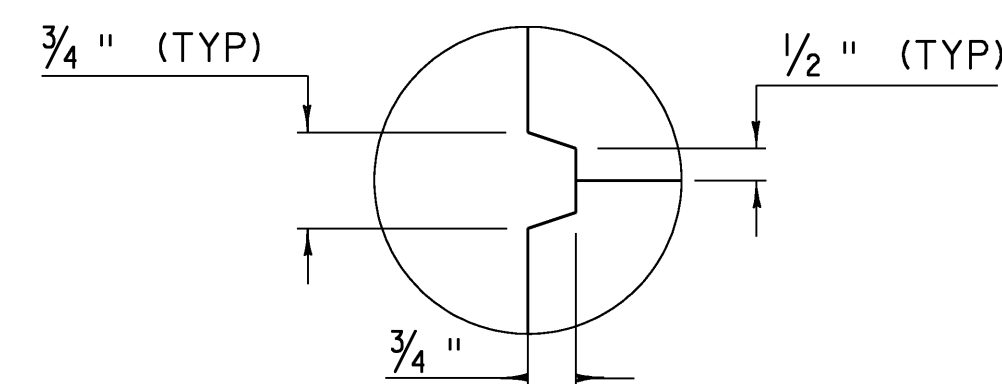
SCALE 1 1/2" = 1'-0"



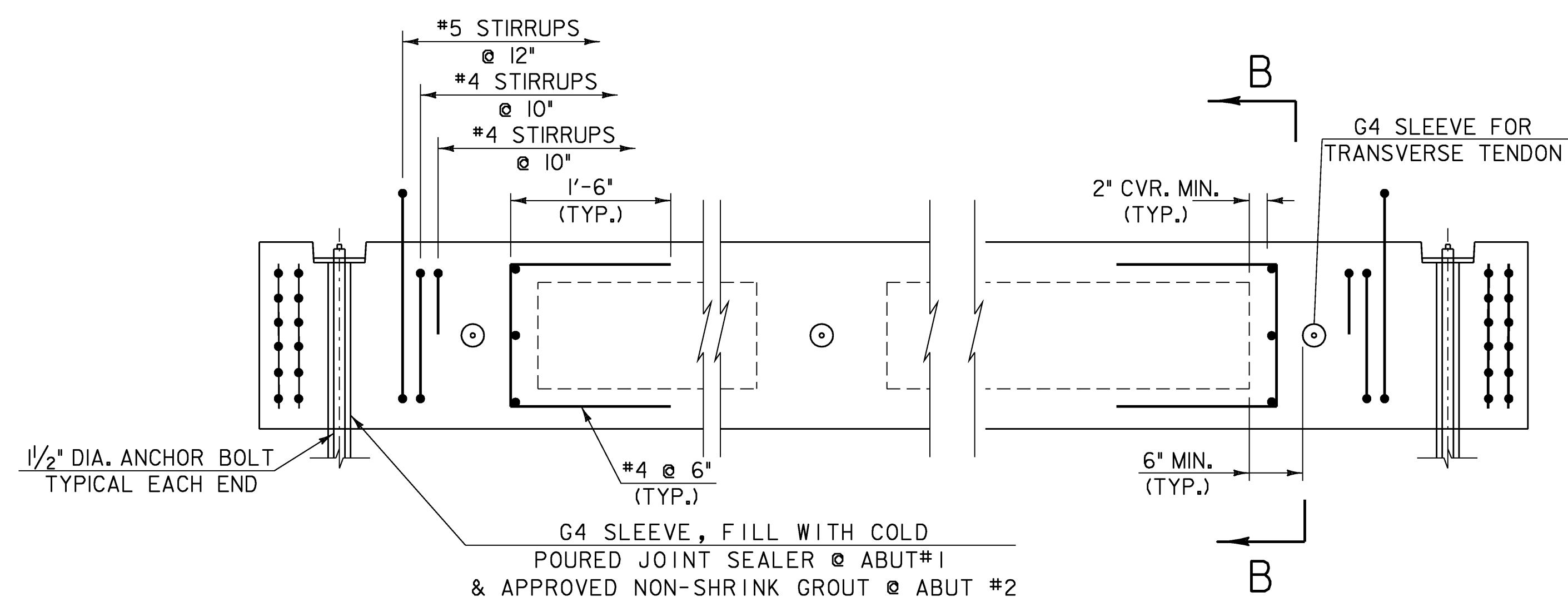
** = STOP DRIP NOTCH 5'-0" FROM ENDS OF UNIT AND OUTLET AT 45° TO FASCIA.

ROW #	# STRANDS
1 @ 2 3/4"	10
2 @ 15 3/4"	2

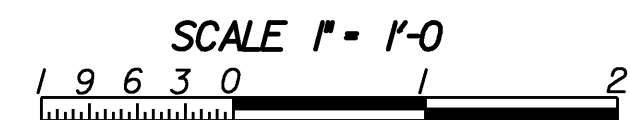
- NOTES:
- UNIT 9 IS MIRROR IMAGE TO UNIT 1. SEE SHEET 39 FOR SHEAR KEY DETAIL
 - ROUGHEN SURFACE 1/4" TO 1/2" UNDER SIDEWALK



**SCORE MARK DETAIL
NOT TO SCALE**



VOIDED SLAB SECTION A-A



VOIDED SLAB UNITS 1 & 9

PROJECT NAME: FAIRFAX	PLOT DATE: 13-JUL-2009
PROJECT NUMBER: BHF 023-I(5)	DRAWN BY: str3
FILE NAME: 86e064\str\se064sup.dgn	CHECKED BY: C. CARLSON
PROJECT LEADER: C. CARLSON	SHEET 37 OF 61
DESIGNED BY: C. CARLSON	
se064ssdl	