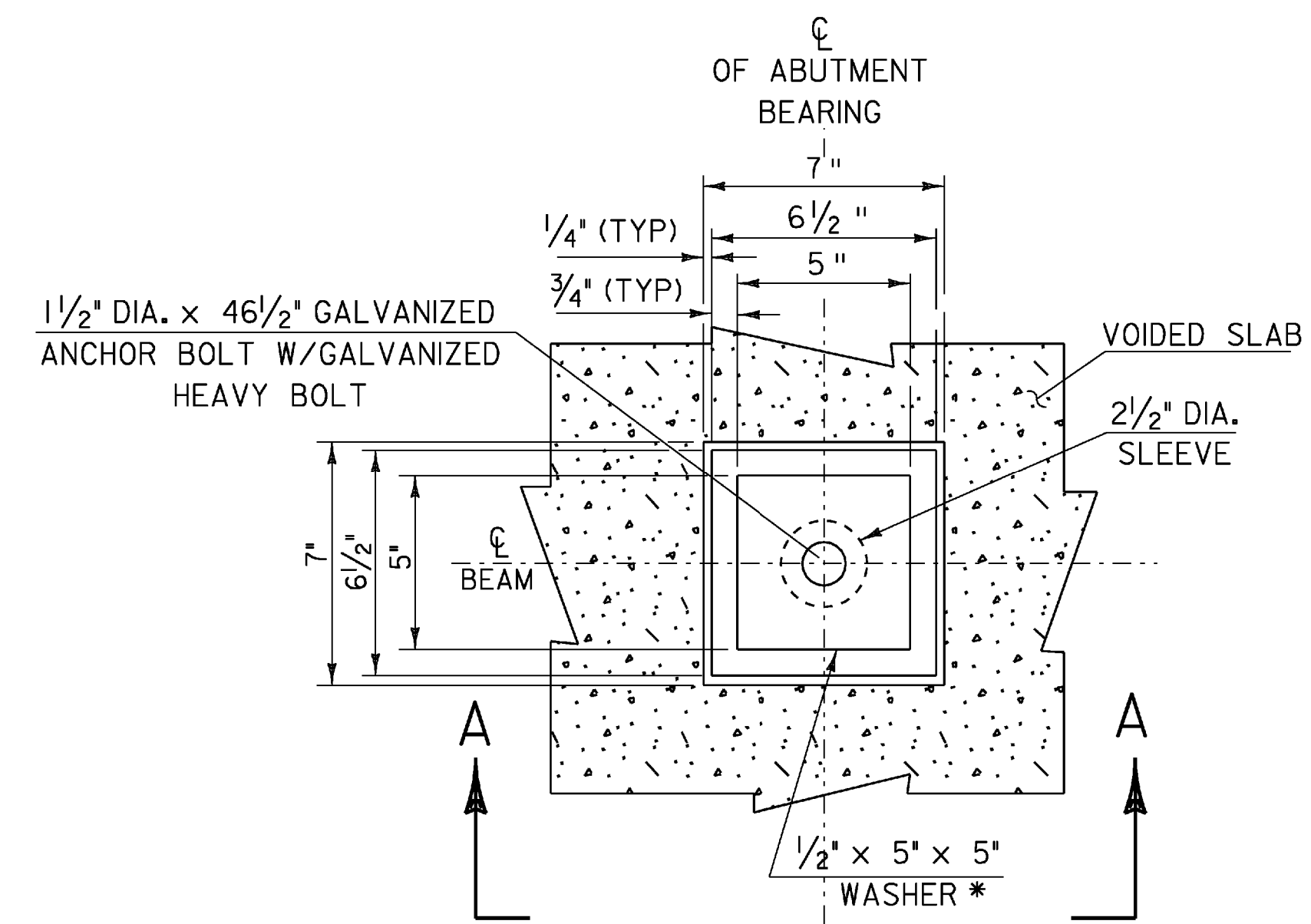


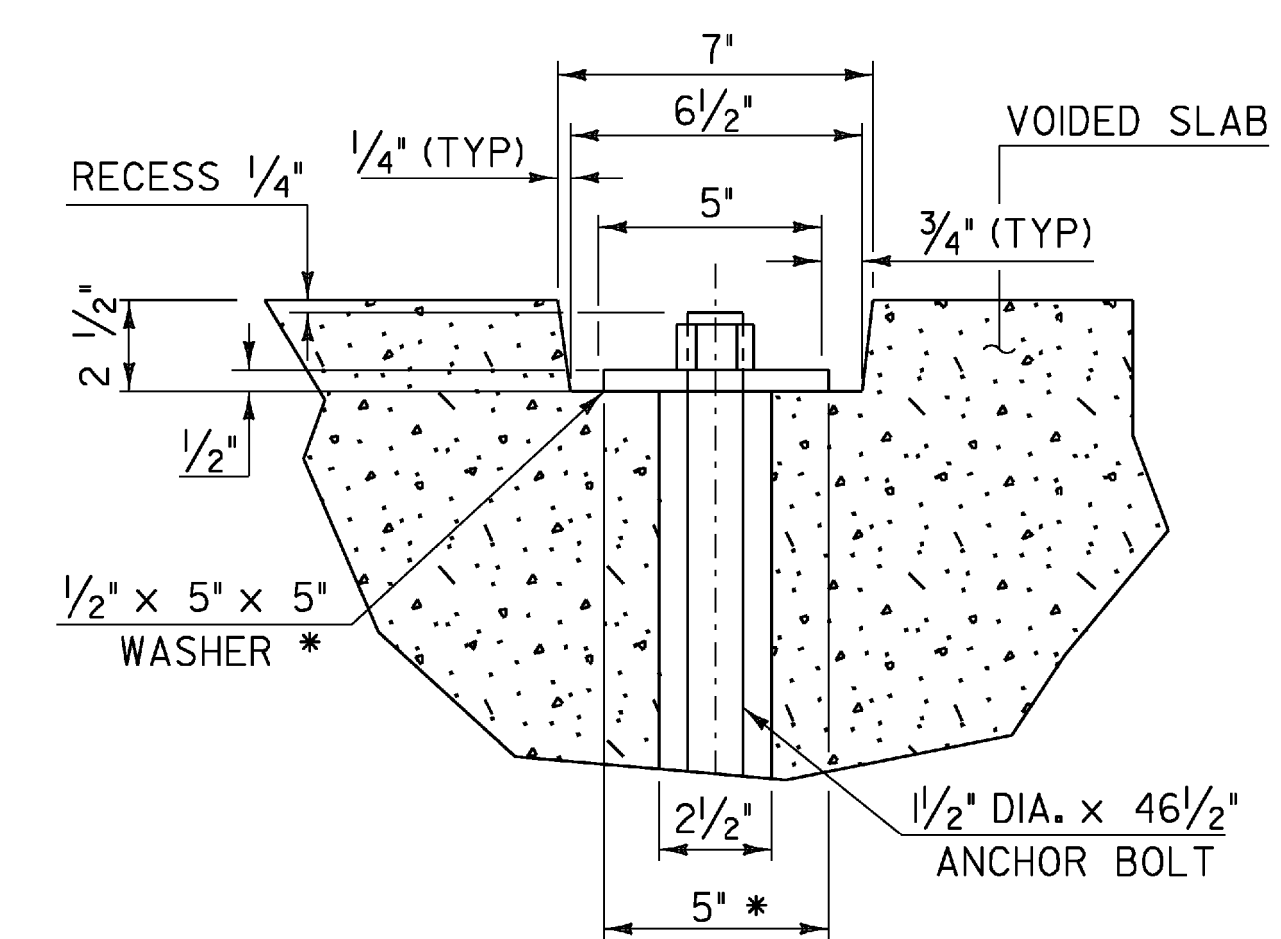
PLAN PRESTRESSED VOIDED SLAB UNITS
NTS



END BRIDGE ANCHOR BOLT DETAIL
NTS

NOTE:
SEE VAOT SPECIFICATION 714.08
FOR ANCHOR BOLTS & NUTS

* 1/2" x 5" x 5" WASHER WITH 1 1/2" DIA. HOLE (GALVANIZED)

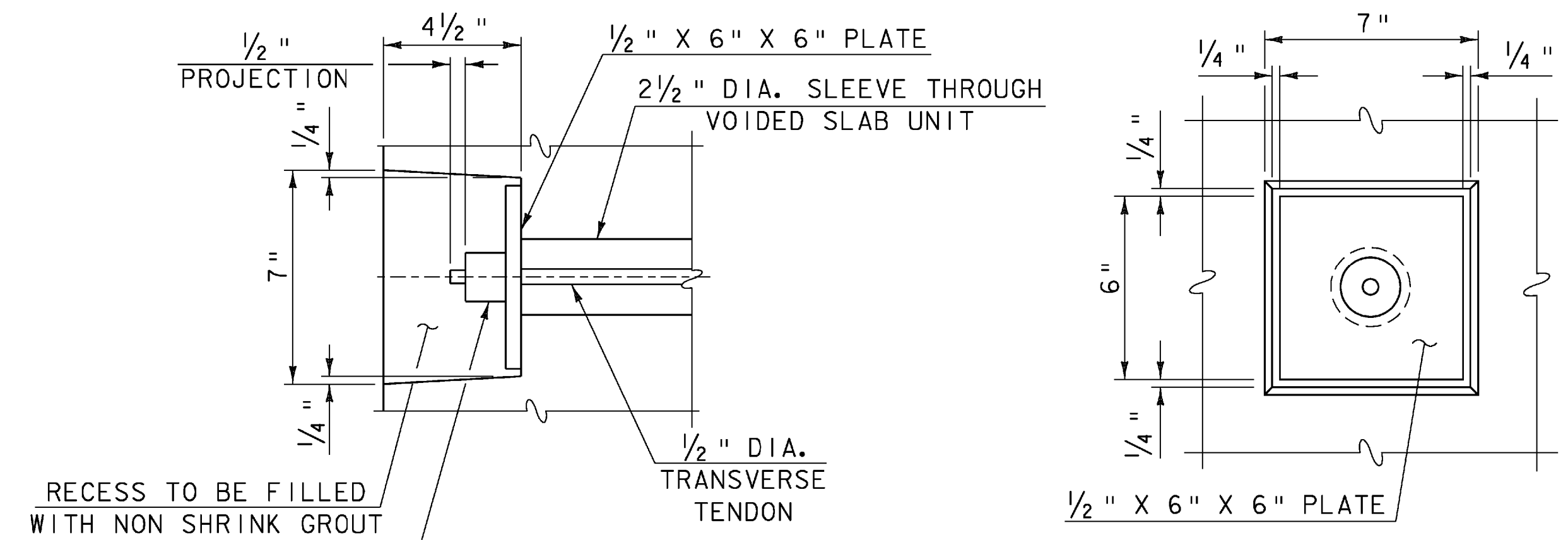


SECTION A-A

NOTES

1. TRANSVERSE TENDONS SHALL BE COVERED BY SEAMLESS POLYPROPYLENE SHEATH (WITH CORROSION INHIBITOR GREASE BETWEEN SHEATH AND TENDON) FOR THE LENGTH OF TENDON, EXCEPT AT ANCHORAGE LOCATIONS. TENDONS SHALL BE TENSIONED TO 30 KIPS.
2. THE 1/2" PLATE SHALL CONFORM TO AASHTO M 270M/ M 270 GRADE 50. THE PLATE AND CHUCK SHALL BE GALVANIZED ACCORDING TO AASHTO M111M/ M111.

VOIDED SLAB LAYOUT & DETAILS



DETAIL "A"

SCALE 1/4" = 1'-0"
1 0 2 4 6

PROJECT NAME: FAIRFAX	PLOT DATE: 13-JUL-2009
PROJECT NUMBER: BHF 023-(15)	DRAWN BY: str3
FILE NAME: 86e064\str\se064sup.dgn	CHECKED BY: C. CARLSON
PROJECT LEADER: C. CARLSON	SHEET 36 OF 61
DESIGNED BY: C. CARLSON	
se064dd.l	