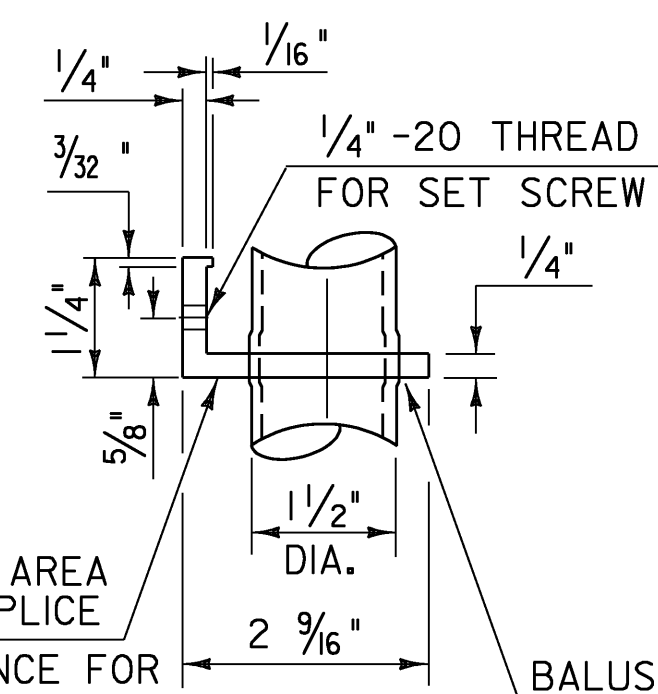
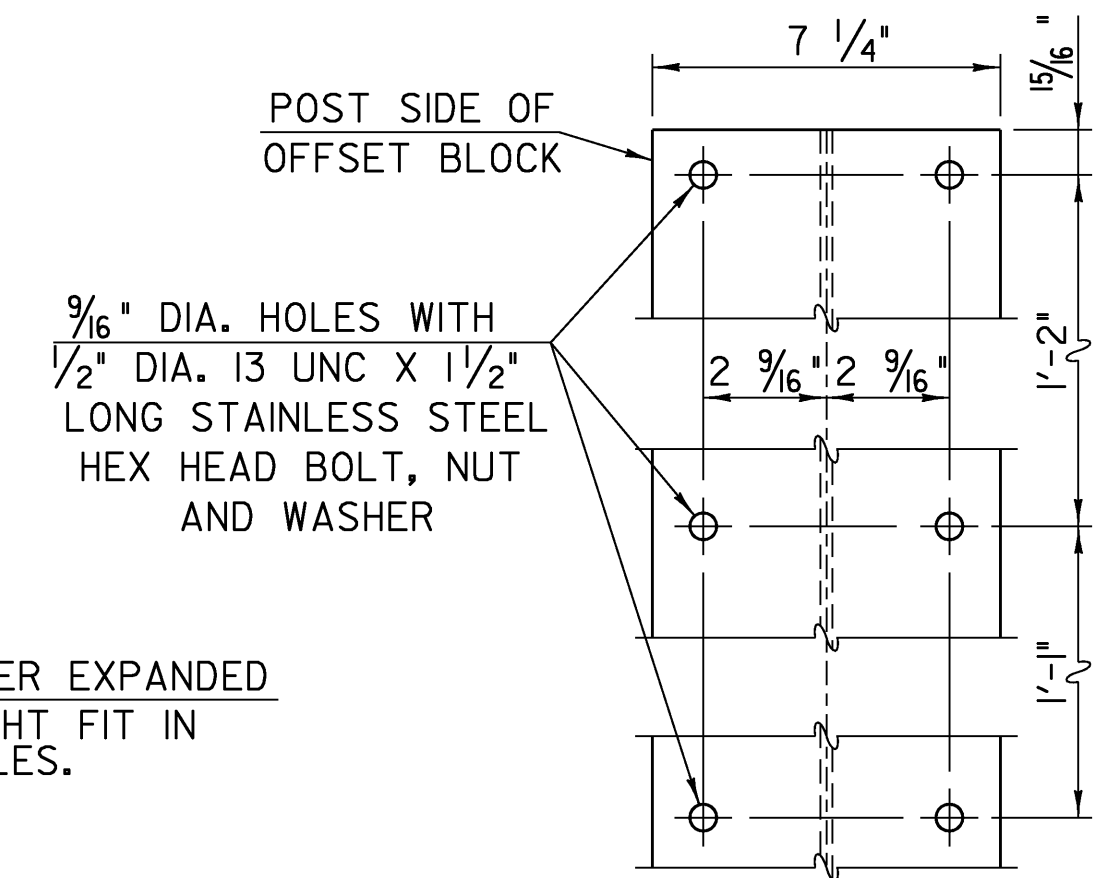


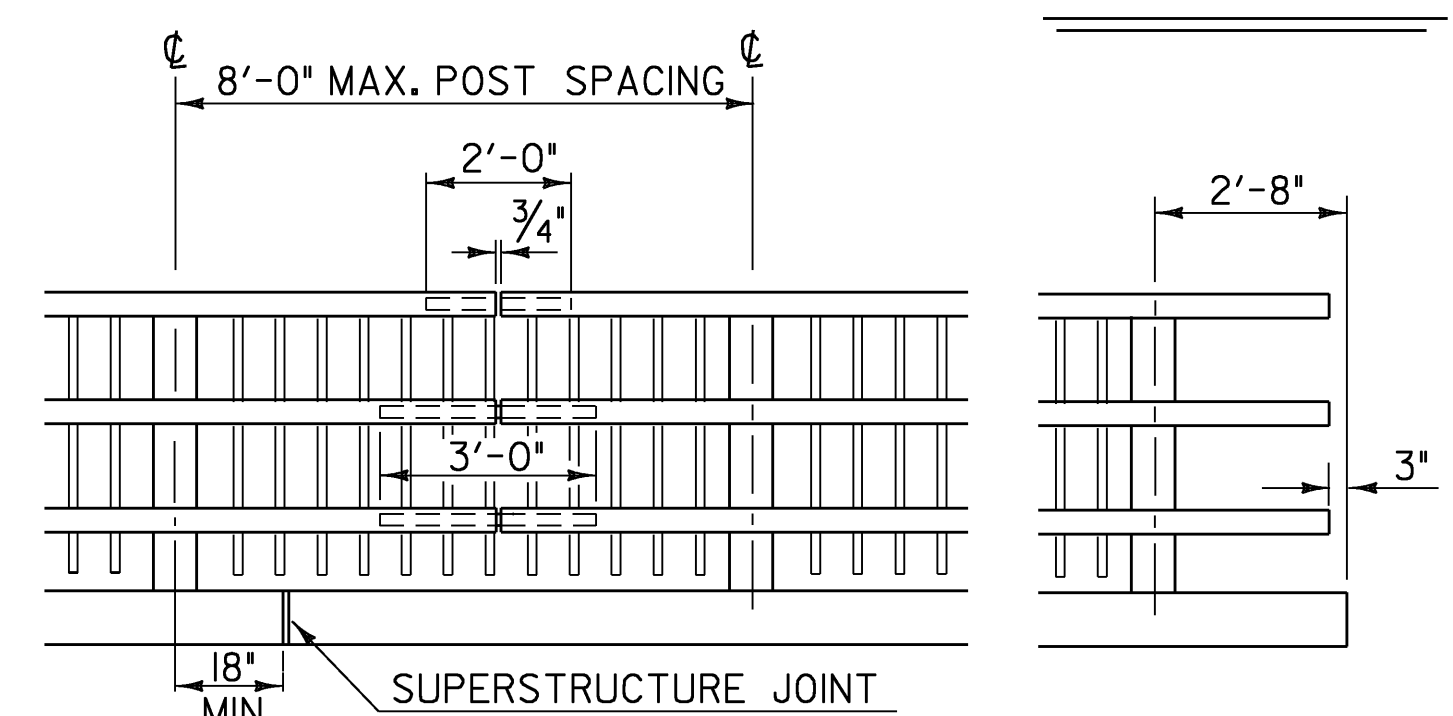
DETAIL A



DETAIL B

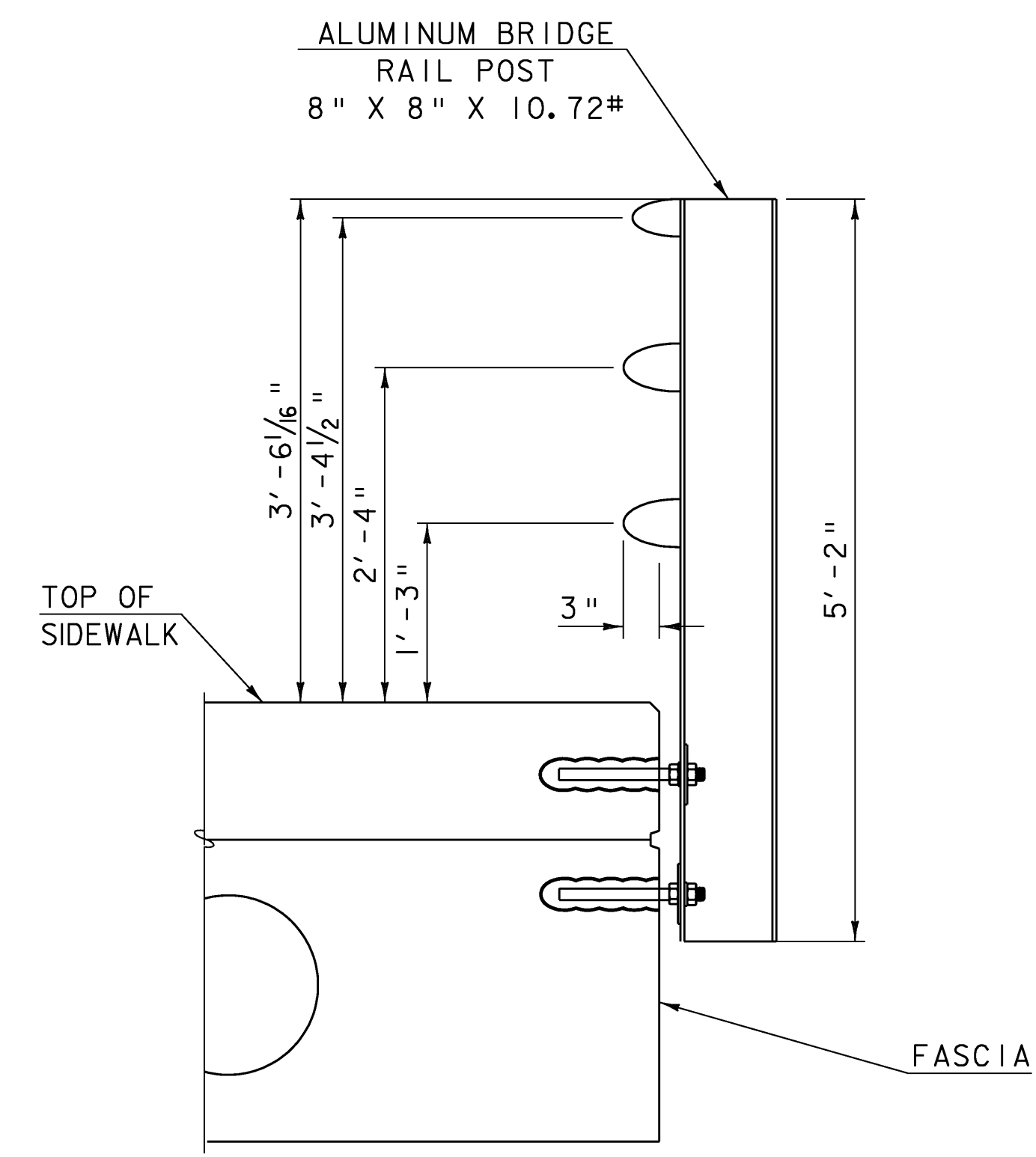


OFFSET BLOCK CONNECTION

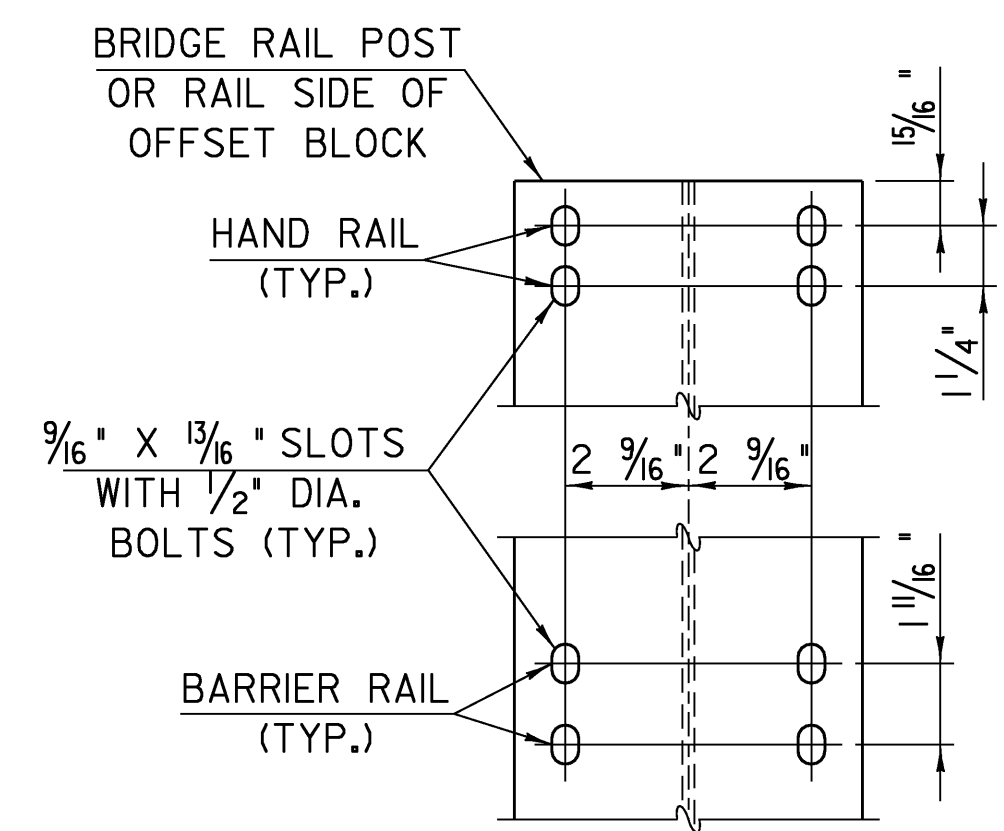


FRONT ELEVATION OF THREE RAIL WITH SPINDLES

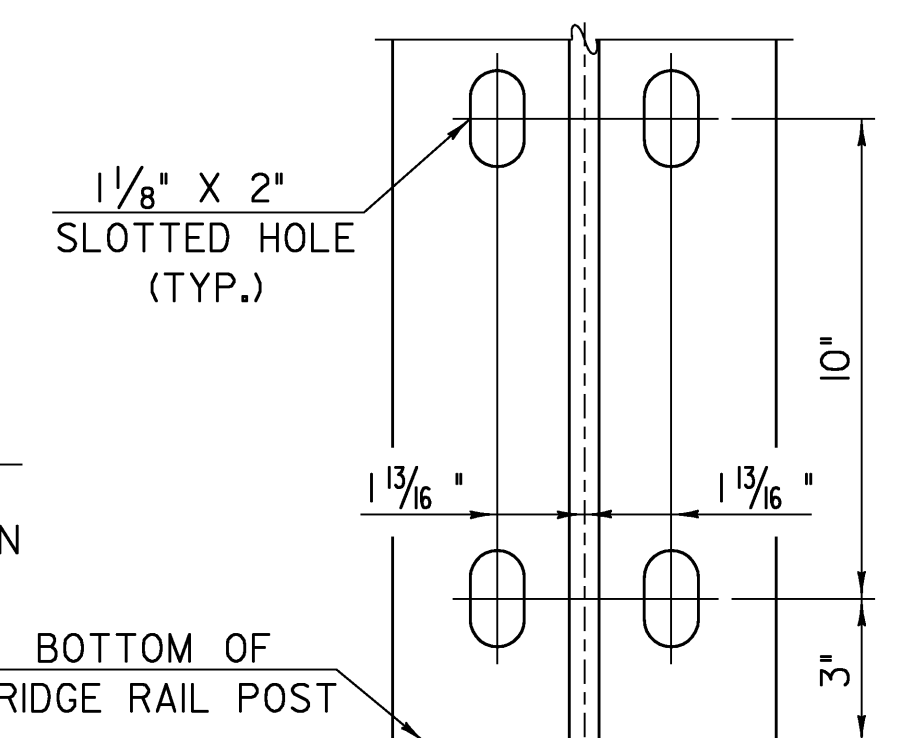
NOTES: RAIL POSTS ARE TO BE SET NORMAL TO GRADE UNLESS OTHERWISE DESIGNATED ON BRIDGE PLANS. ALL DIMENSIONS ARE TYPICAL UNLESS OTHERWISE DESIGNATED ON BRIDGE PLANS.



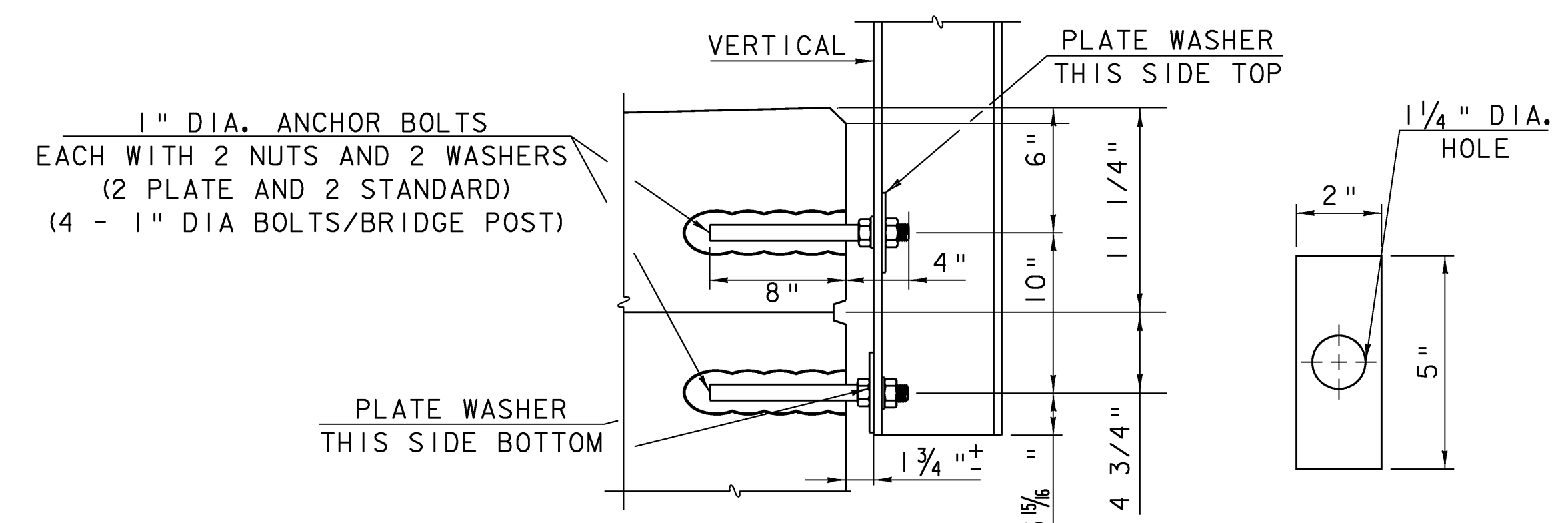
RAIL POST DETAILS ON SUPERSTRUCTURE



RAIL CONNECTION



POST ANCHORAGE BOLT HOLE DETAILS



ANCHORAGE DETAIL

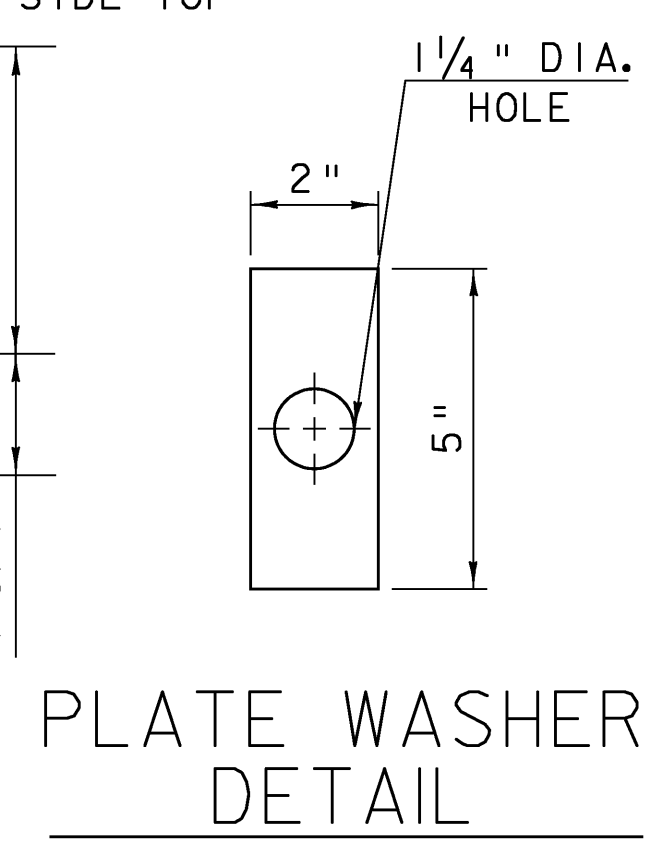
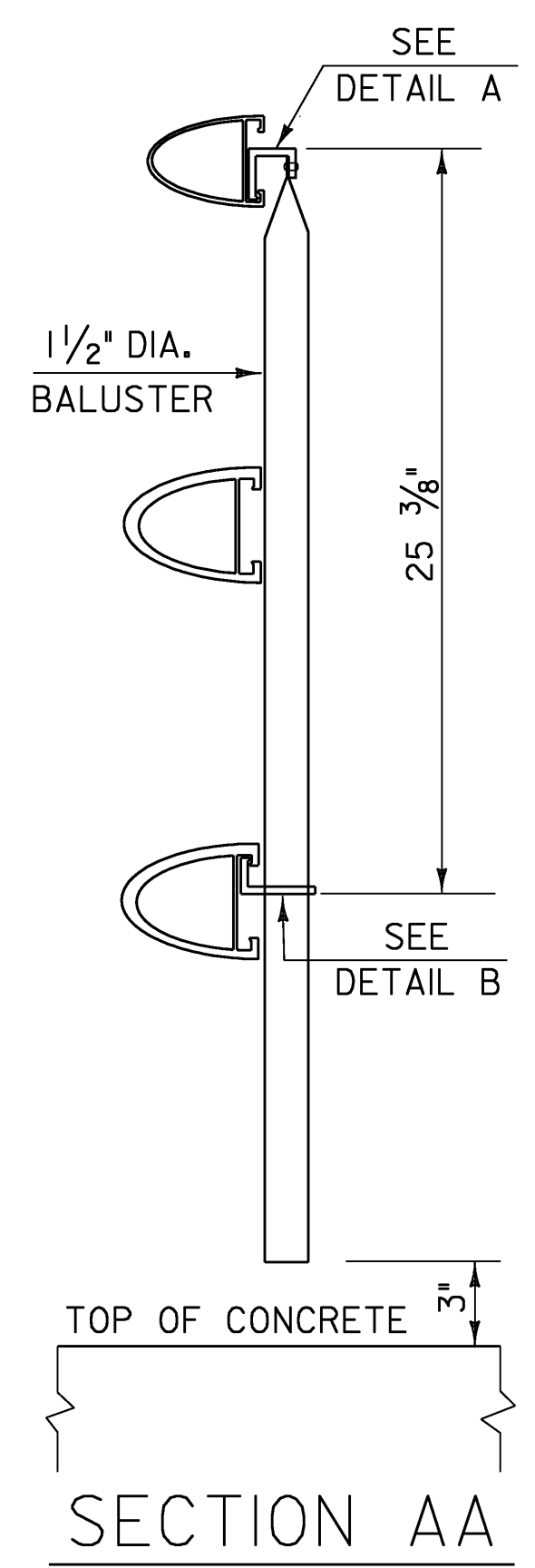
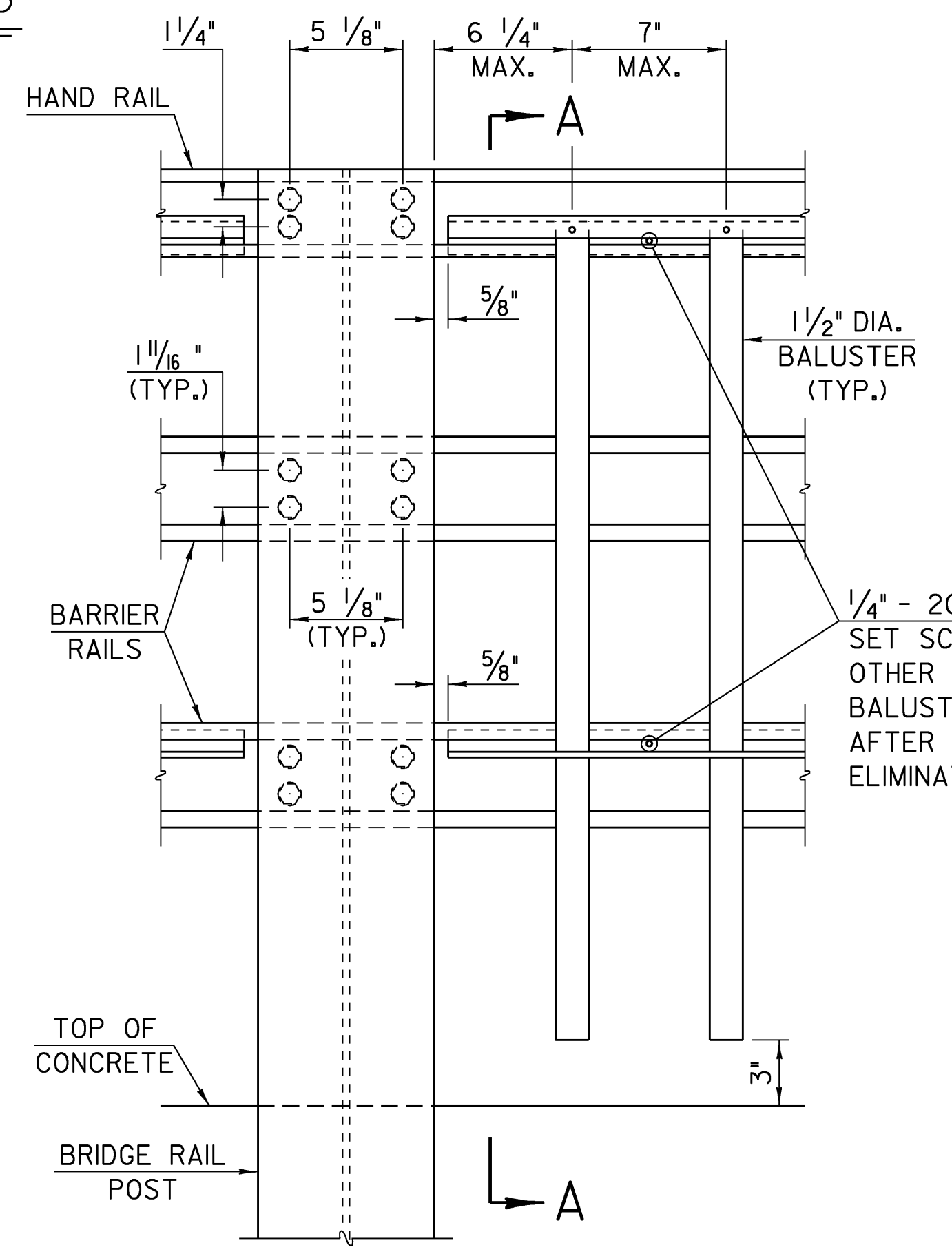


PLATE WASHER DETAIL



DETAILS OF SPINDLES FOR ALUMINUM RAILING



OUTSIDE ELEVATION OF THREE RAIL POST & SPINDLES

1/4\"/>

ALUMINUM RAILING DETAILS (SHEET 4)

PROJECT NAME: FAIRFAX	PLOT DATE: 13-JUL-2009
PROJECT NUMBER: BHF 023-I(5)	DRAWN BY: str3
FILE NAME: /86e064/str/se064rail.dgn	CHECKED BY: C. CARLSON
PROJECT LEADER: C. CARLSON	SHEET 31 OF 61
DESIGNED BY: C. CARLSON	
se064rail4.1	