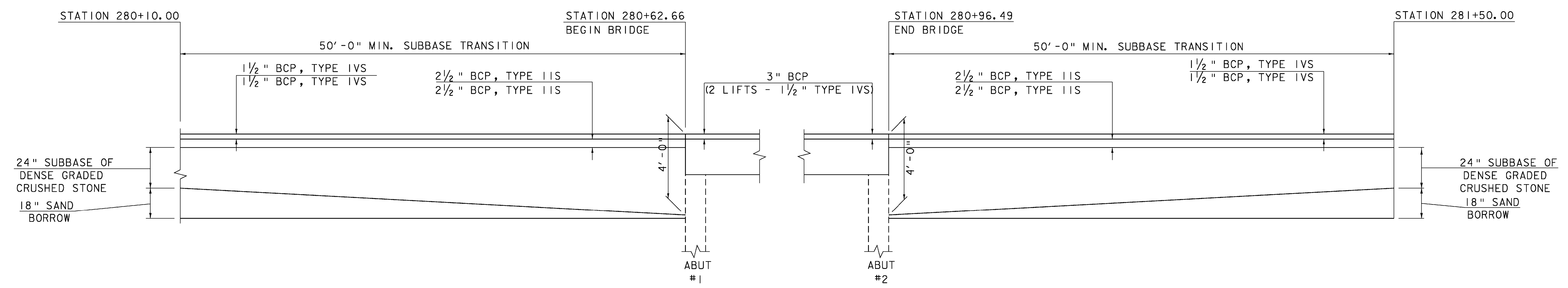


MAINLINE SUBBASE DETAIL
N. T. S.



BEGIN BRIDGE APPROACH DETAIL
N. T. S.

END BRIDGE APPROACH DETAIL
N. T. S.



MATERIAL TRANSITION DIAGRAMS

PROJECT NAME: FAIRFAX	PLOT DATE: 13-JUL-2009
PROJECT NUMBER: BHF 023-(15)	DRAWN BY: L. BULLOCK
FILE NAME: 86e064/str/se064mtd.dgn	CHECKED BY: C. CARLSON
DESIGNED BY: C. CARLSON	SHEET 10 OF 61
se064mtd.I	