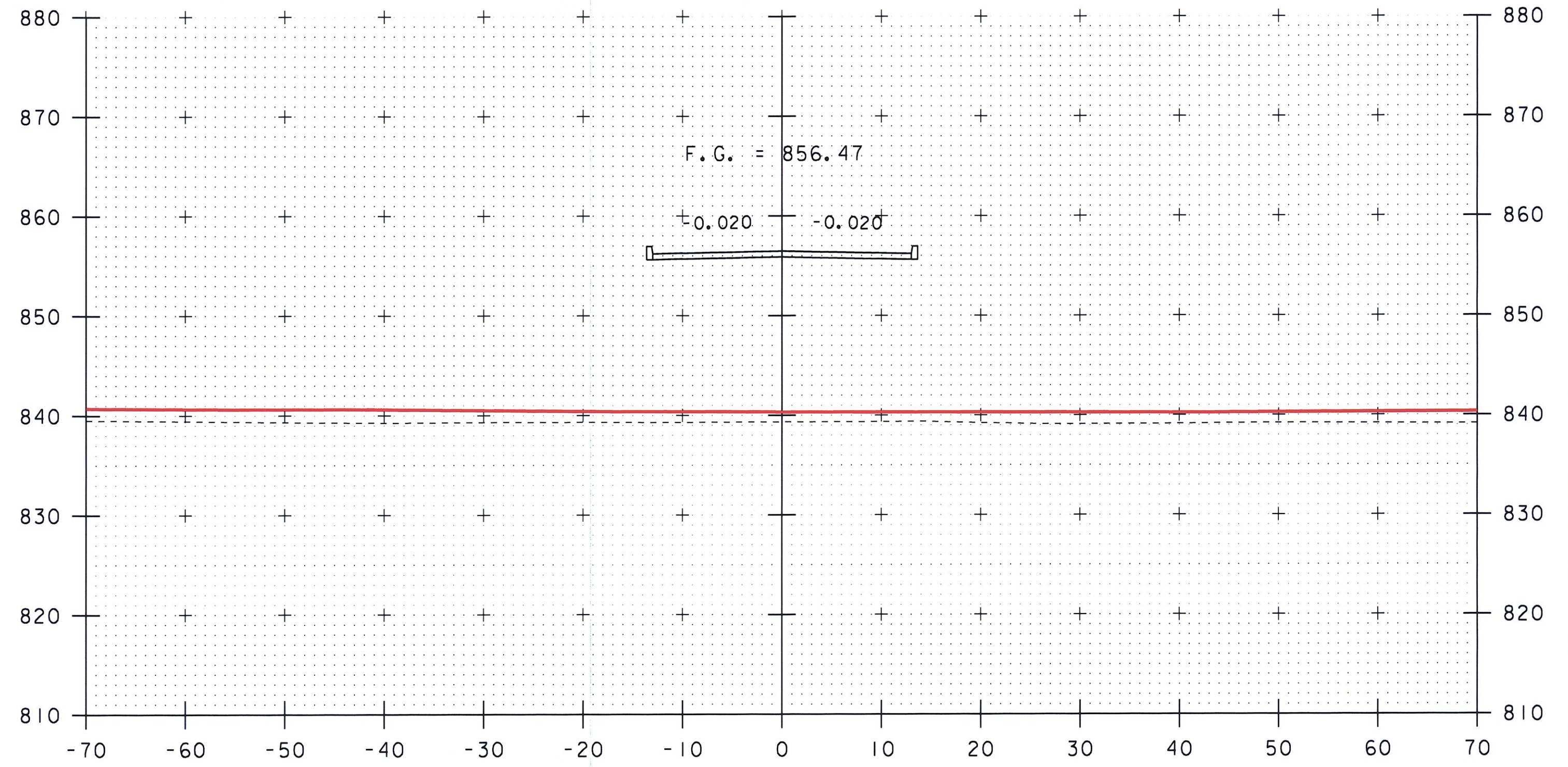
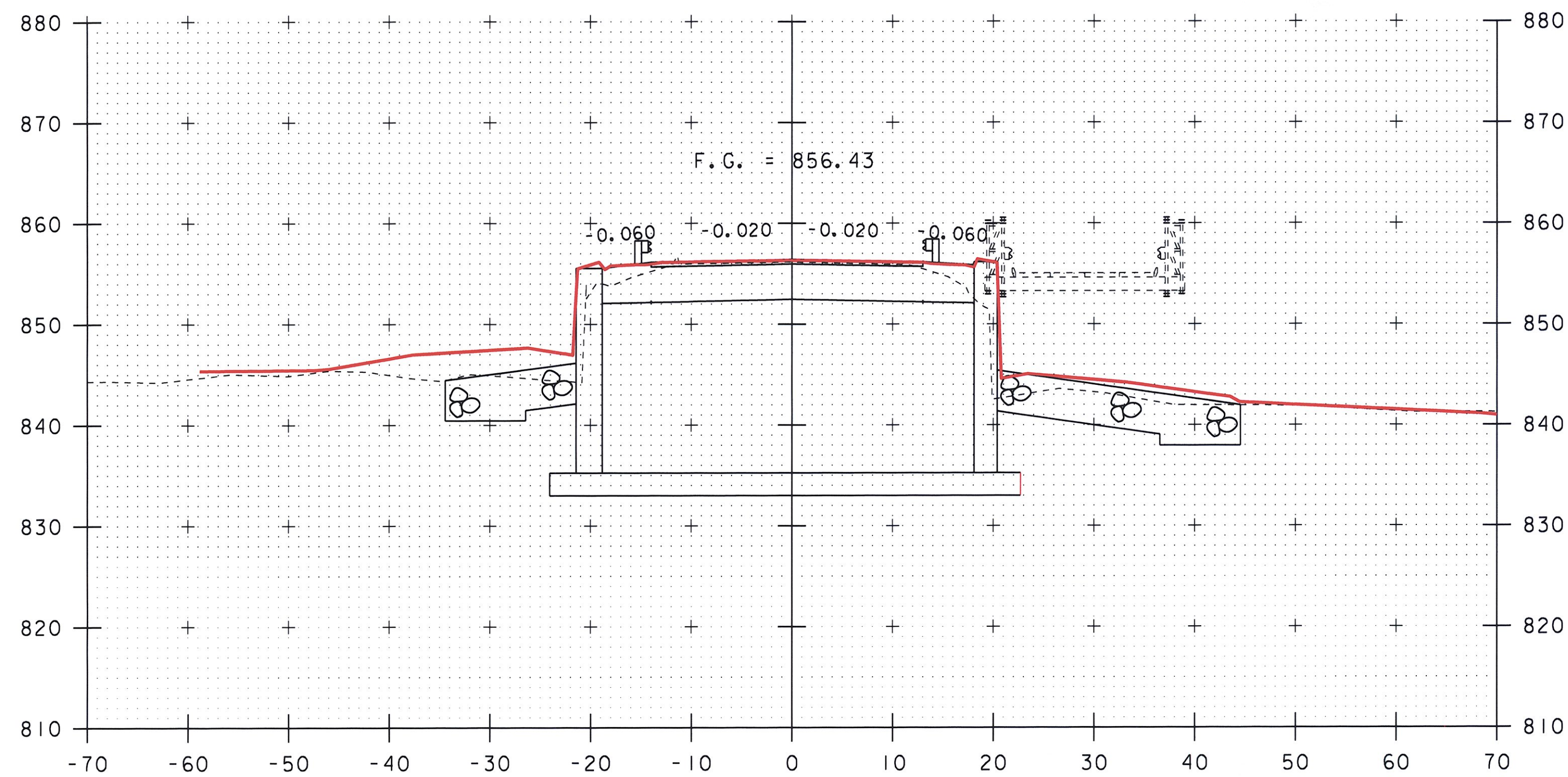


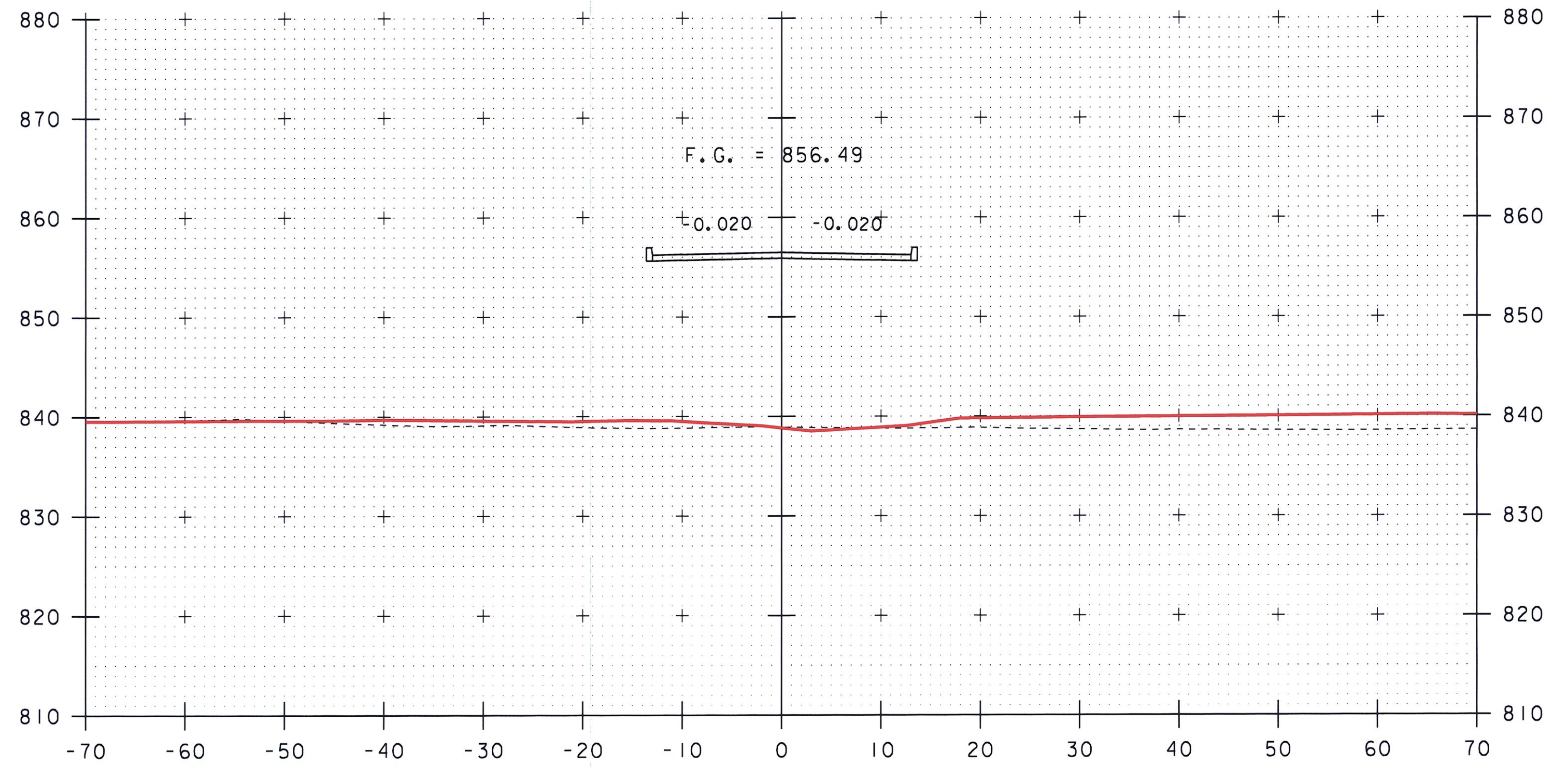
BEGIN BRIDGE  
110+02.50



110+50



110+00



110+25

SCALE 1" = 10'-0"  
10 0 10

STA. 110+00 TO STA. 110+50

PROJECT NAME: BRIDGEWATER	PLOT DATE: 08-NOV-2012 07:1
PROJECT NUMBER: BRS 0149(4)	DRAWN BY: J. SALVATORI
FILE NAME: s86e062xs.dgn	CHECKED BY: T. FILLBACH
PROJECT LEADER: K. HIGGINS	SHEET 3 OF 10
DESIGNED BY: T. FILLBACH	
MAINLINE SECTIONS #3	