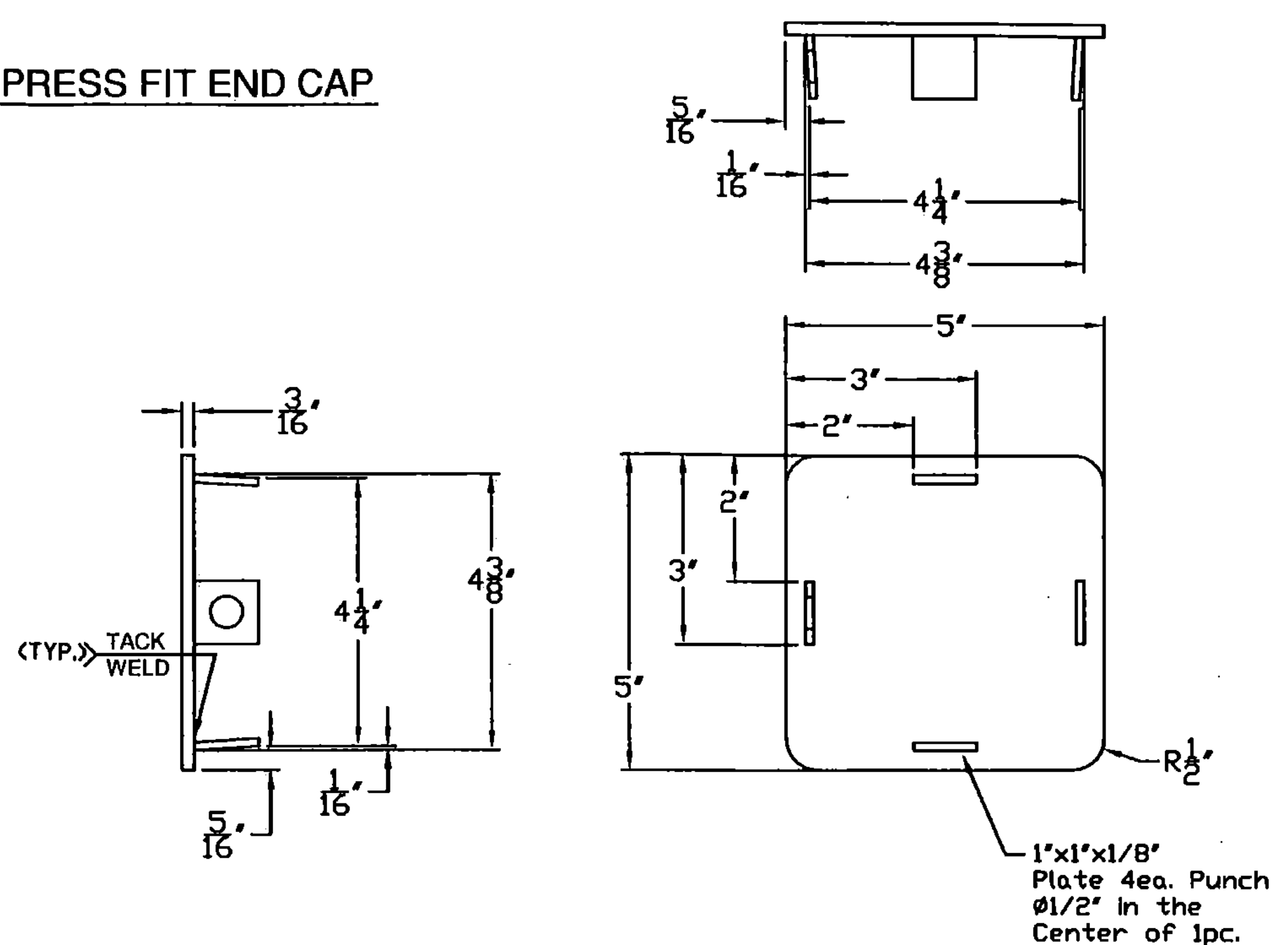
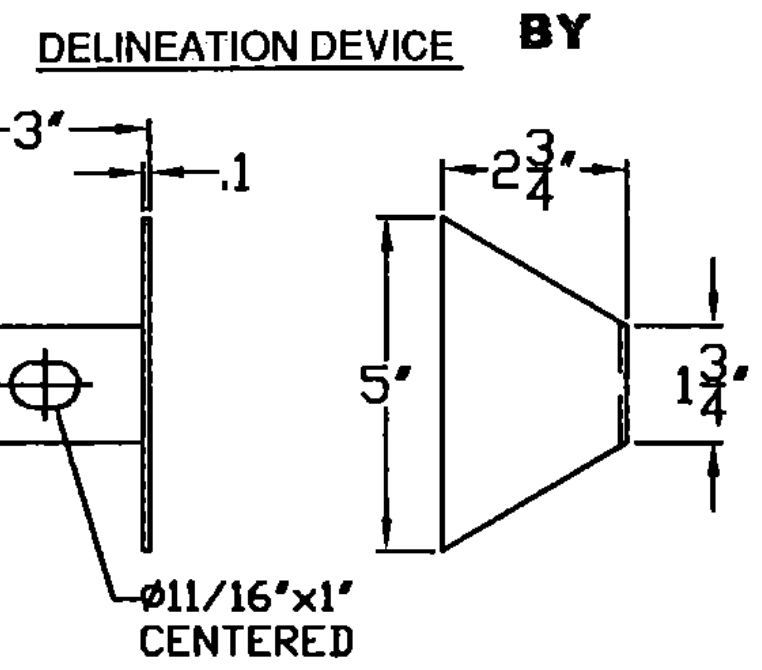
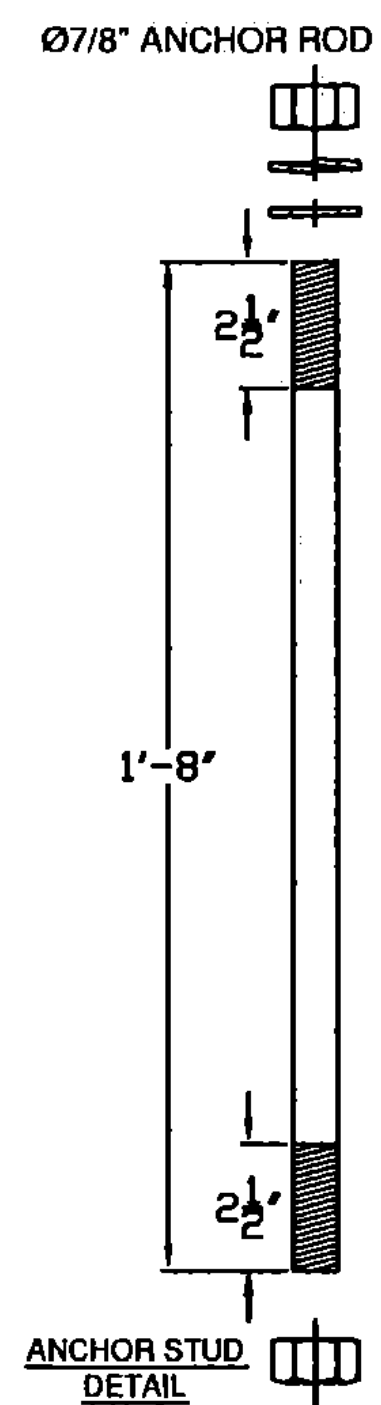


PRESS FIT END CAP

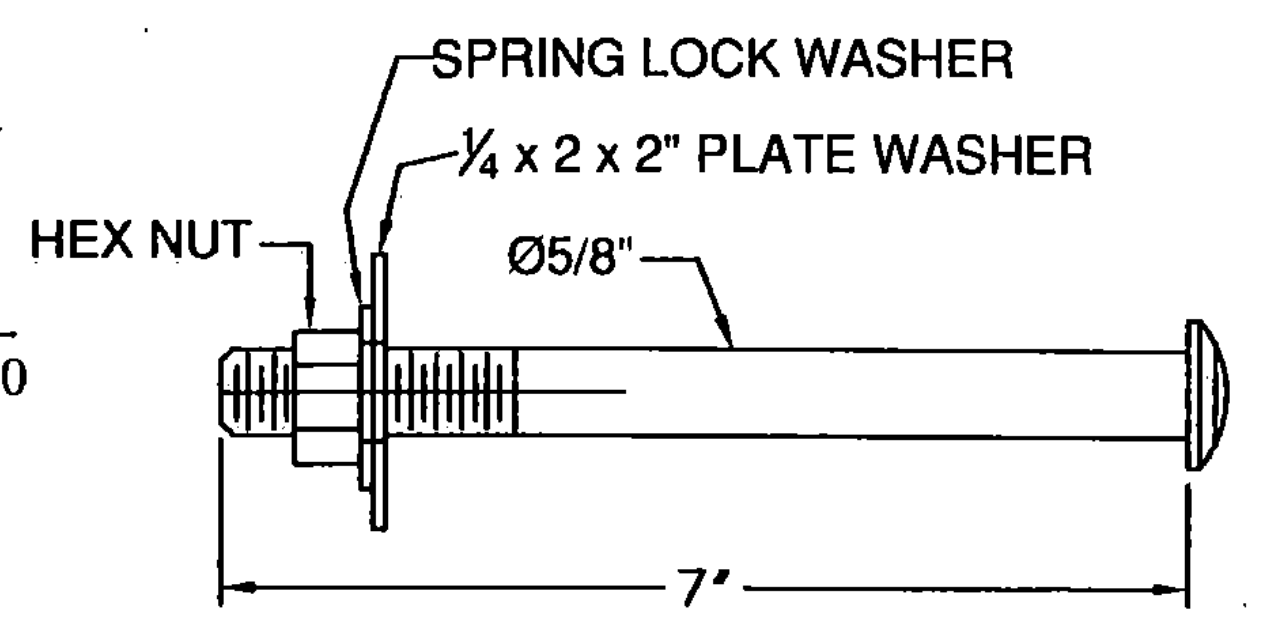


TACK WELD TABS TO END CAP PLATE IN TAPERED POSITION SO CAP CAN BE JAMMED INTO END OF RAIL TUBE

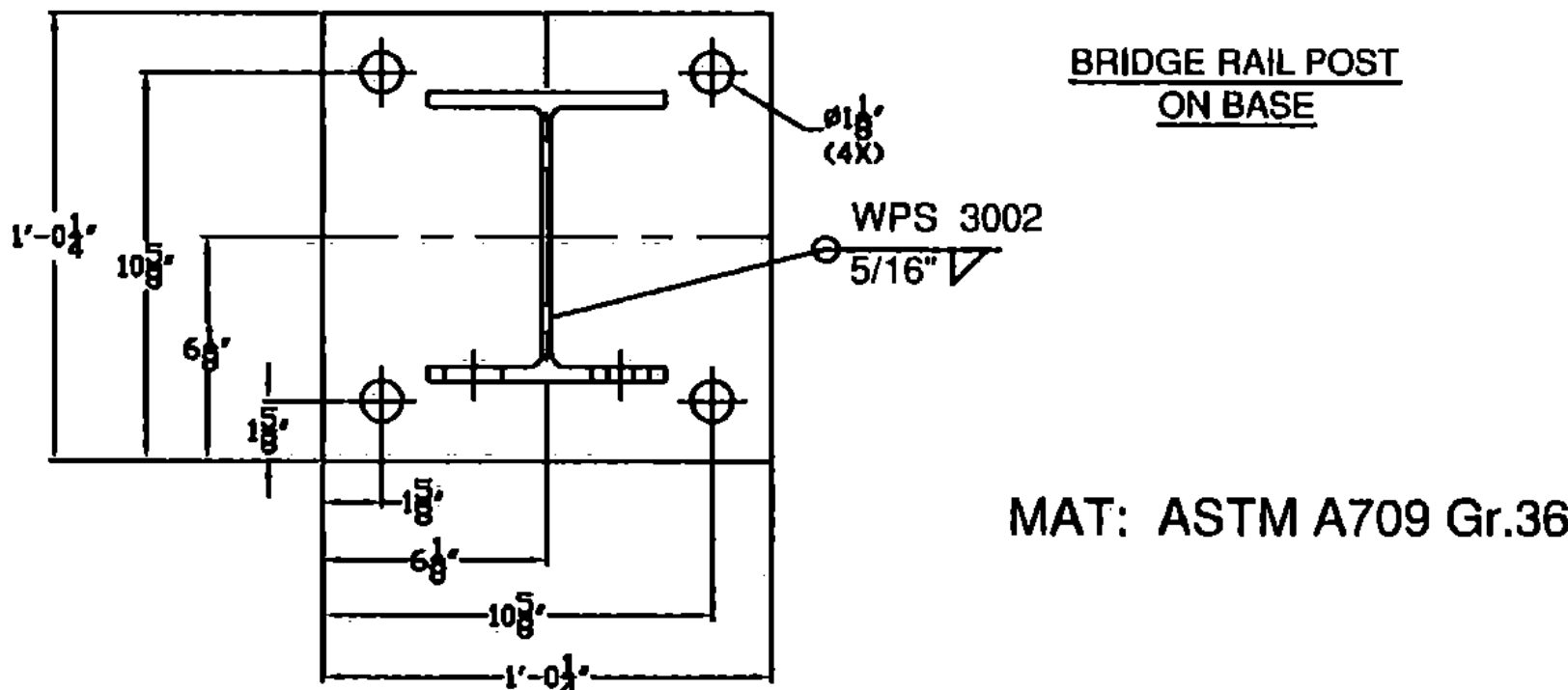
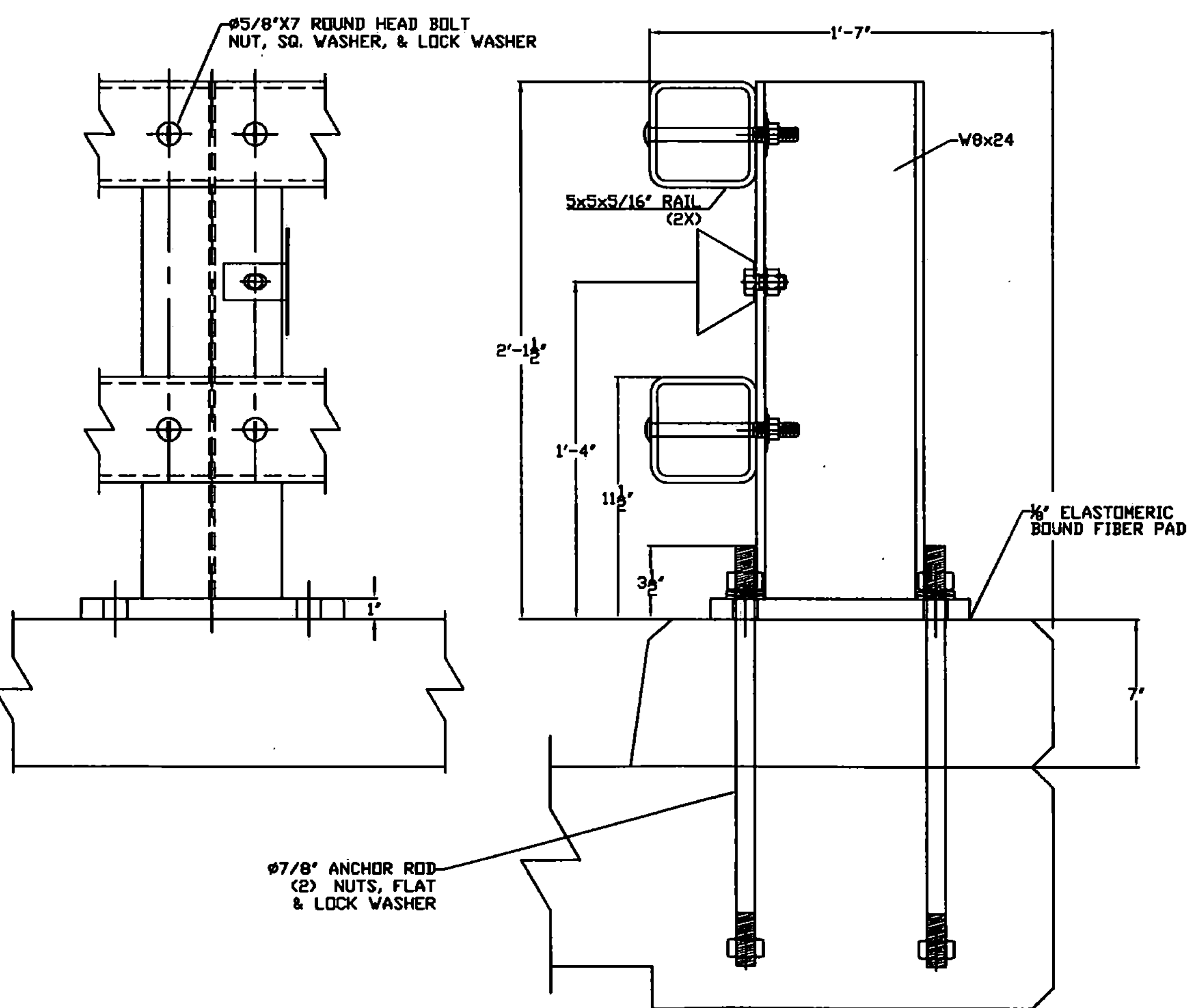


Vermont Agency of Transportation  
**RECEIVED**

CK'D BY Timothy Fillbach OK'D BY GML  
12:17 pm, Jul 21, 2010  
RESUBMIT BY KMH APPROVED X DATE 7-21-2010

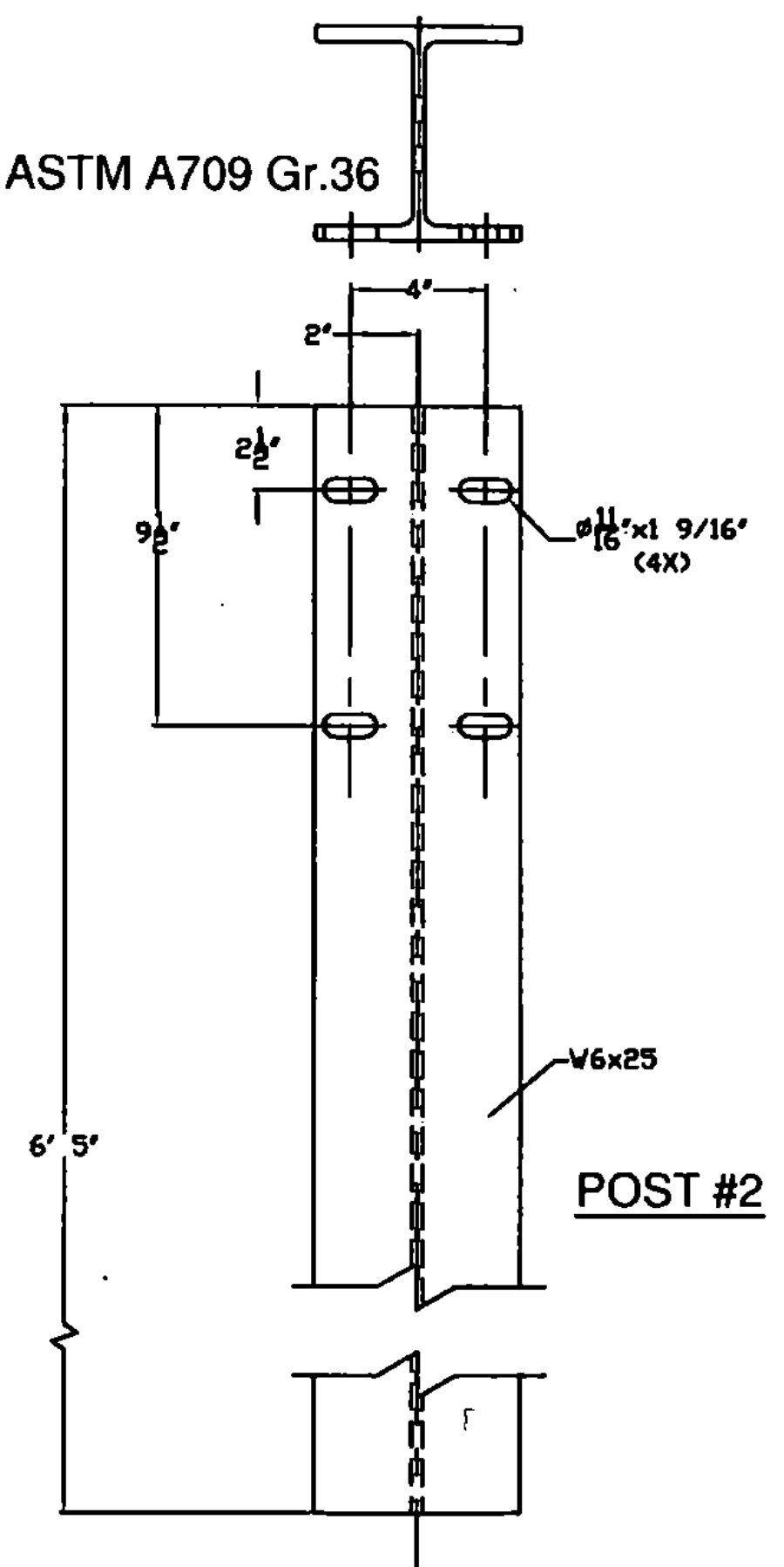
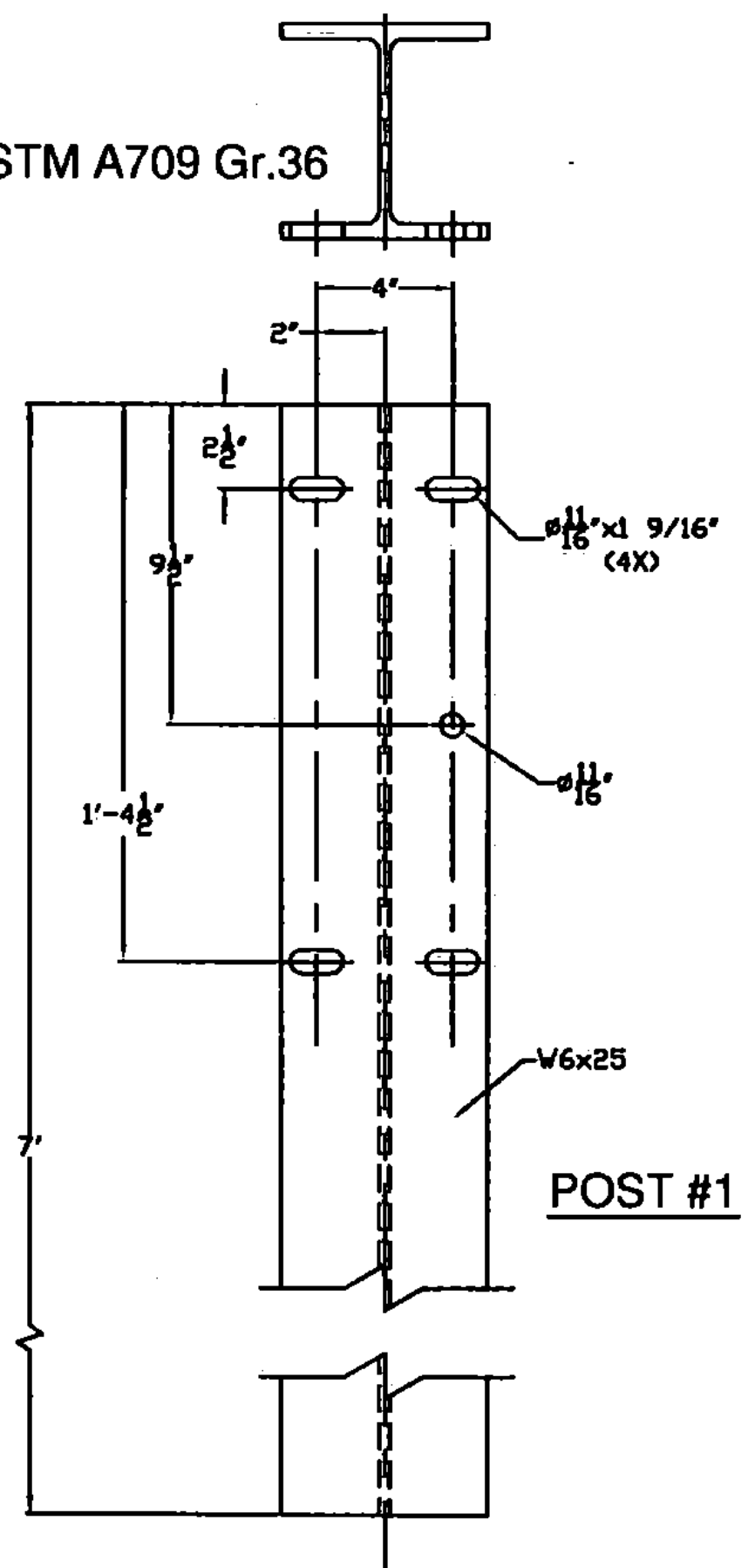


ROUND HEAD BOLT



MAT: ASTM A709 Gr.36

MAT: ASTM A709 Gr.36



ITEM #: 900.640

GEN CONTR: F. R. LAFAYETTE

SHEET 2 OF 3

APPROVED BY:

BRIDGE RAIL DETAILS SHEET

BRIDGEWATER, PROJECT #: BRS 0149 (4)  
VT ROUTE 100A, BR14-MAJOR COLLECTOR  
TOWN OF BRIDGEWATER, WINDSOR COUNTY, STATE OF VERMONT

R NO.	DATE	DESCRIPTION	BY	R NO.	DATE	DESCRIPTION	BY
E A	7/16/10	REVISED PER 7/14/10 MEMO FROM GREGOR M. HENNING, P.E.	EP				
V							

ELDERLEE, INC.  
OAKS CORNERS, NEW YORK 14518  
E-Mail: dlong@elderlee.com  
Tel: 315-789-6670 Fax: 315-789-6615

DRAWN	E.P.	6/14/10
CHECKED	D.L.	6/16/10
APPROVED		
SCALE	SCHEMATIC	
DRAWING NO.	EM10-066	