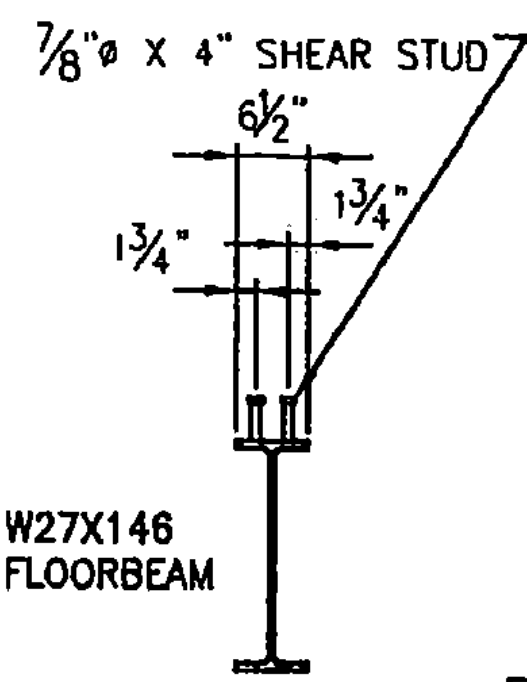
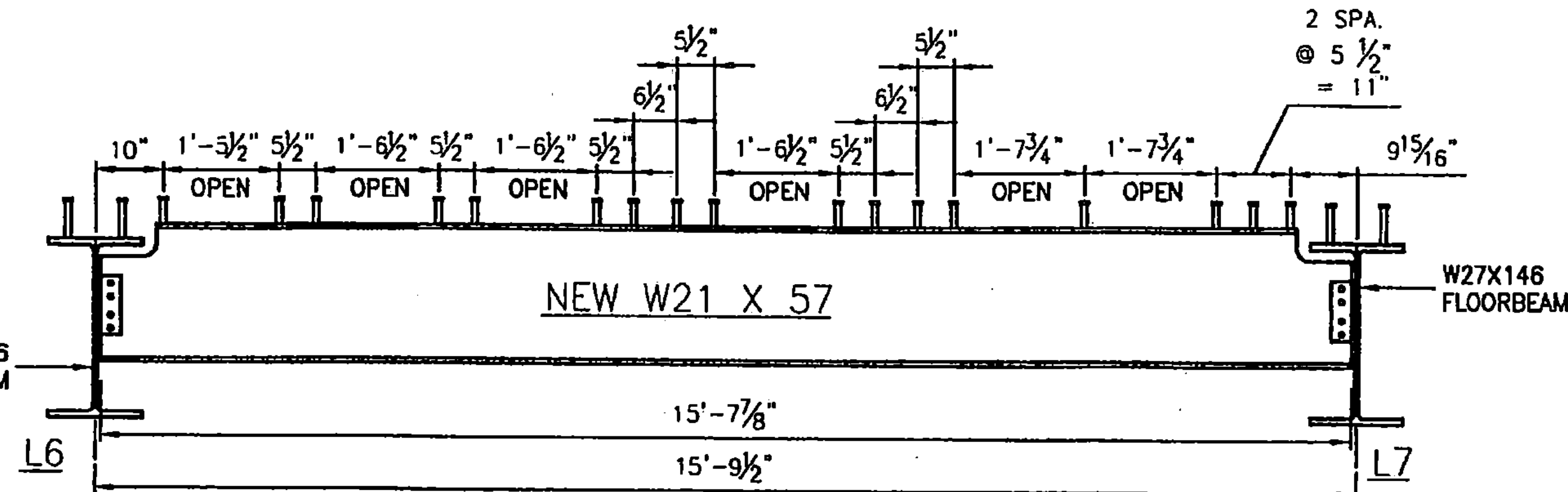


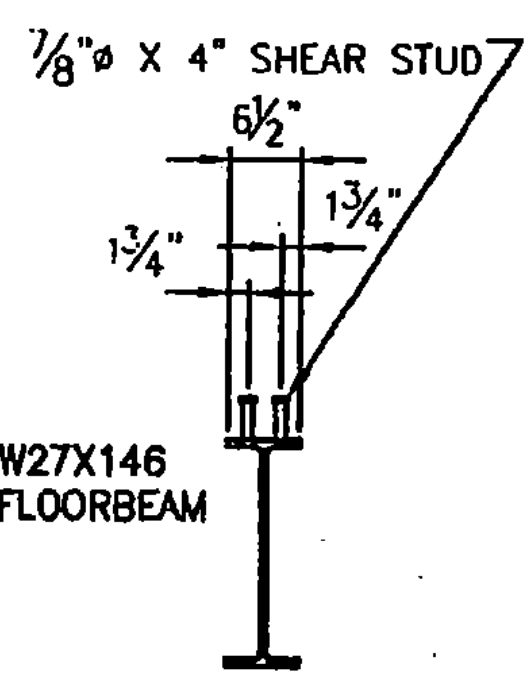
STRINGERS S1 & S2 ~ SHEAR STUD SPACING



TYPICAL STRINGER SECTION



STRINGER S3 ~ SHEAR STUD SPACING

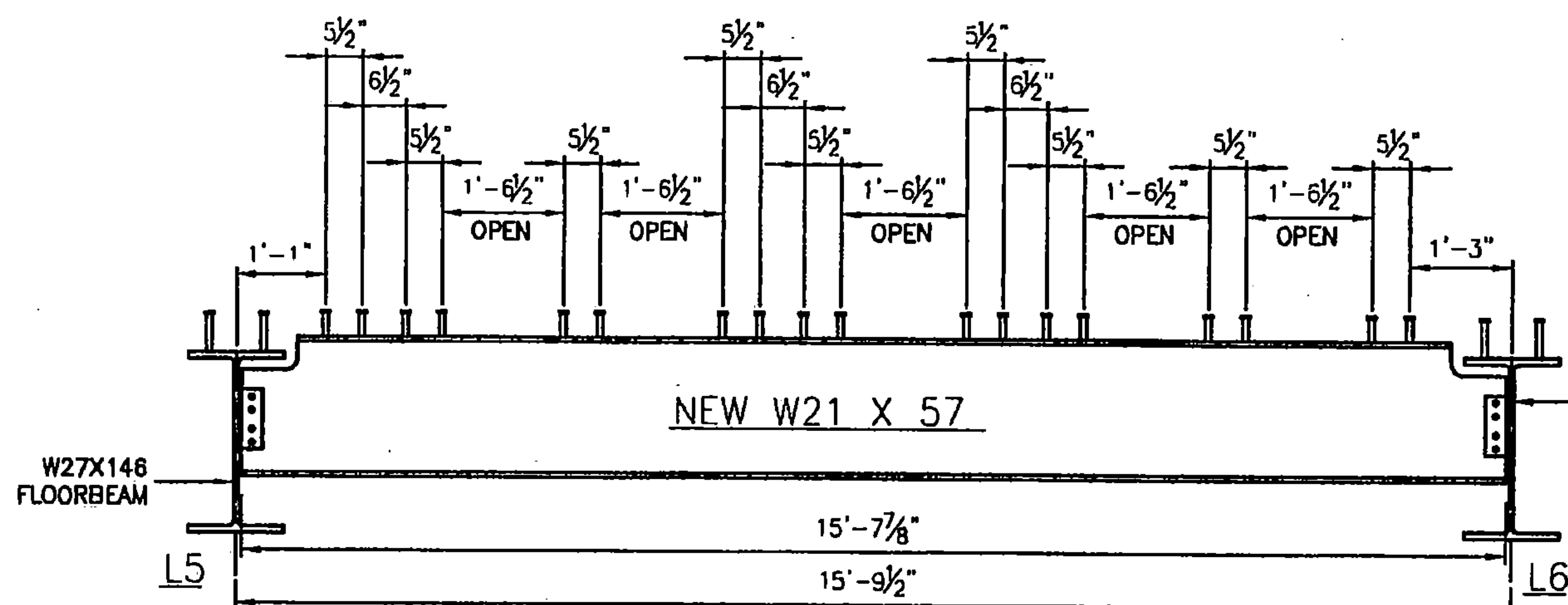


TYPICAL STRINGER SECTION

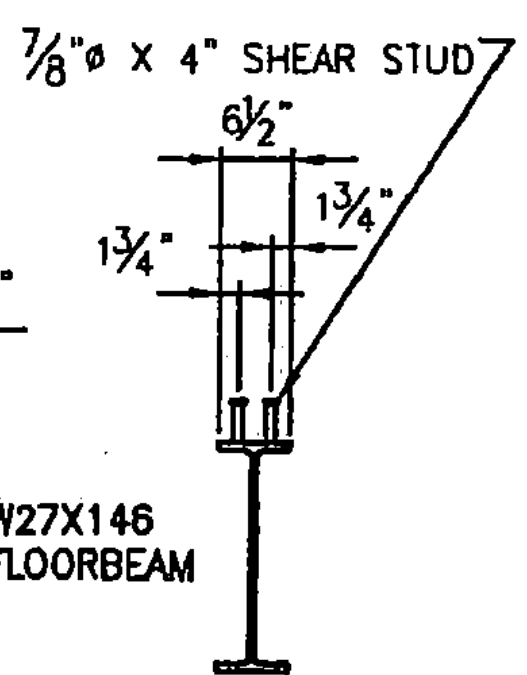
SHEAR STUD SPACING SHOULD BE VERIFIED BY STRUCTURAL STEEL SUPPLIER FOR COORDINATION.

OPEN AREAS ALONG STRINGER S3 ARE TO AVOIDED LEVELING PLATES WITHIN PANELS.

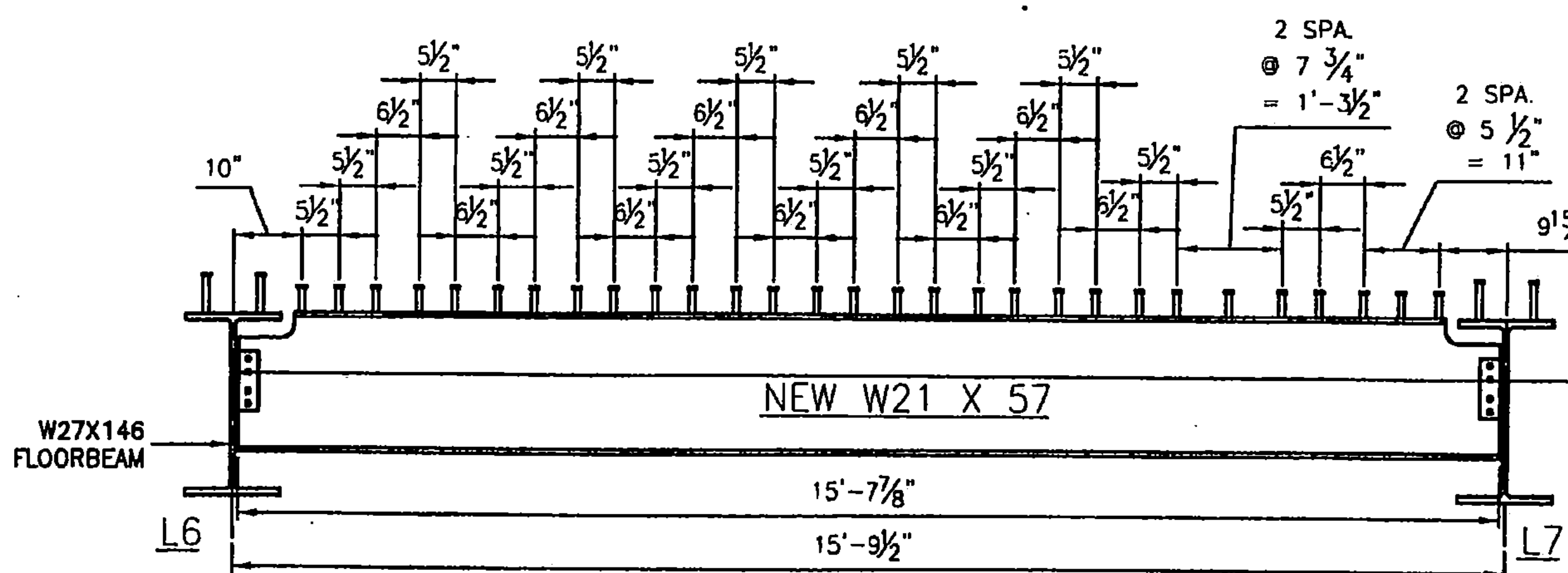
[N.S. NEAR SIDE] [F.S. FAR SIDE]



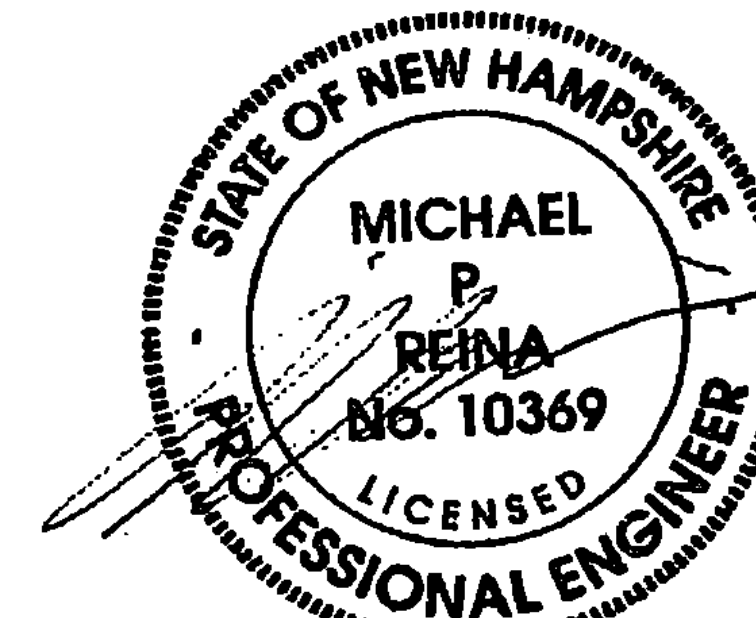
STRINGER S3 ~ SHEAR STUD SPACING



TYPICAL STRINGER SECTION



STRINGERS S1 & S2 ~ SHEAR STUD SPACING



RECEIVED  
 OK'D BY JUT OK'D BY \_\_\_\_\_  
 JAN 17 2011  
 RESUBMIT \_\_\_\_\_ APPROVED   
 BY KMH DATE 1/20/11

APPROVED:	DATE:
<b>L. B. FOSTER CO.</b>	
PITTSBURGH, PENNSYLVANIA 15220	
FOR: MILLER CONSTRUCTION	
STATE OF VERMONT AGENCY OF TRANSPORTATION	
TOWN OF BRIDGEWATER, COUNTY OF WINDSOR	
VT. ROUTE 100A, BR14 PROJ. NO. BRS 0149 (4)	
SHEAR STUD LAY OUT FOR STRINGERS BEAMS	
DATE: 12/10/10	JOB NO: SD0339
BY: BLJ	REV. NO.

~~190~~ 191 PRE-FAB DECK PANELS