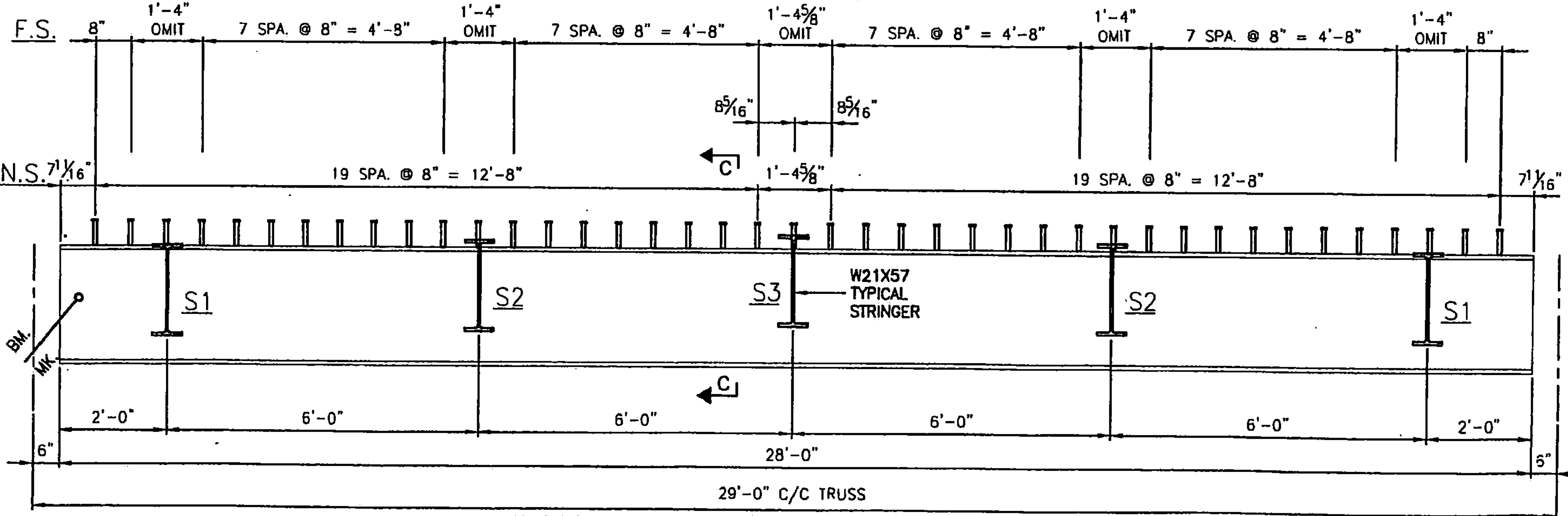
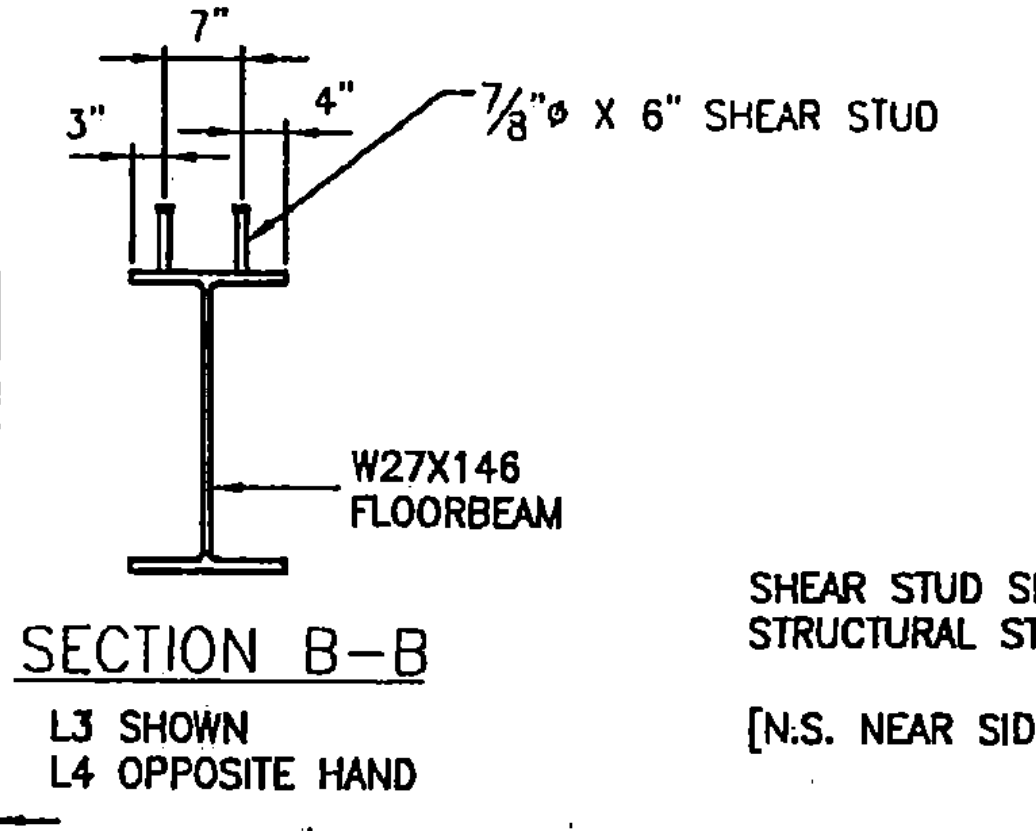
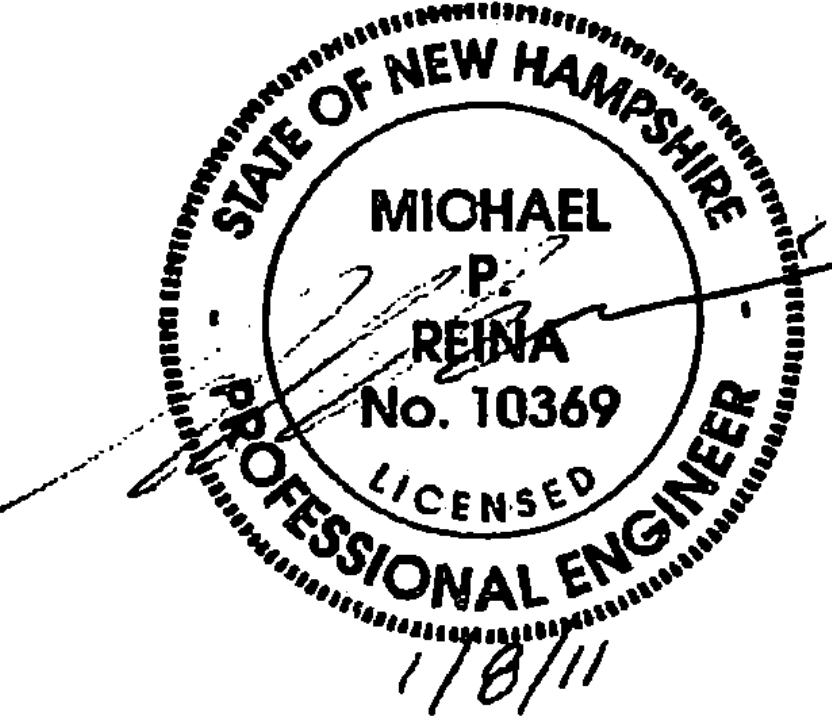
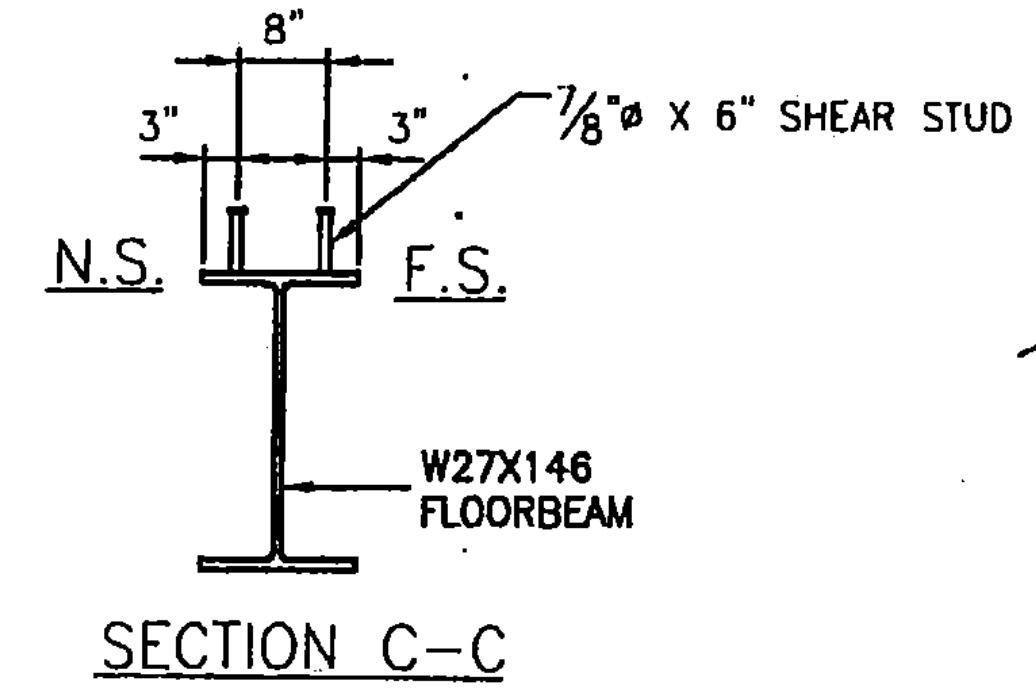


FLOOR BEAMS ~ L3 & L4 ~ SHEAR STUD SPACING



FLOOR BEAMS ~ L5 & L7 ~ SHEAR STUD SPACING



RECEIVED
 JAN 17 2011
 RESUBMIT APPROVED ✓
 BY KMH DATE 1/20/11

APPROVED:	DATE:
L. B. FOSTER CO. PITTSBURGH, PENNSYLVANIA 15220	
FOR: MILLER CONSTRUCTION STATE OF VERMONT AGENCY OF TRANSPORTATION TOWN OF BRIDGEWATER, COUNTY OF WINDSOR VT. ROUTE 100A, BR14 PROJ. NO. BRS 0149 (4) SHEAR STUD LAY OUT FOR FLOOR BEAMS	
DATE: 12/09/10	JOB NO. SD0339
BY: BLJ	CHECKED: LBE11
REV. NO.	REV. NO.

~~187~~ 188 PREFAB DECK PANELS