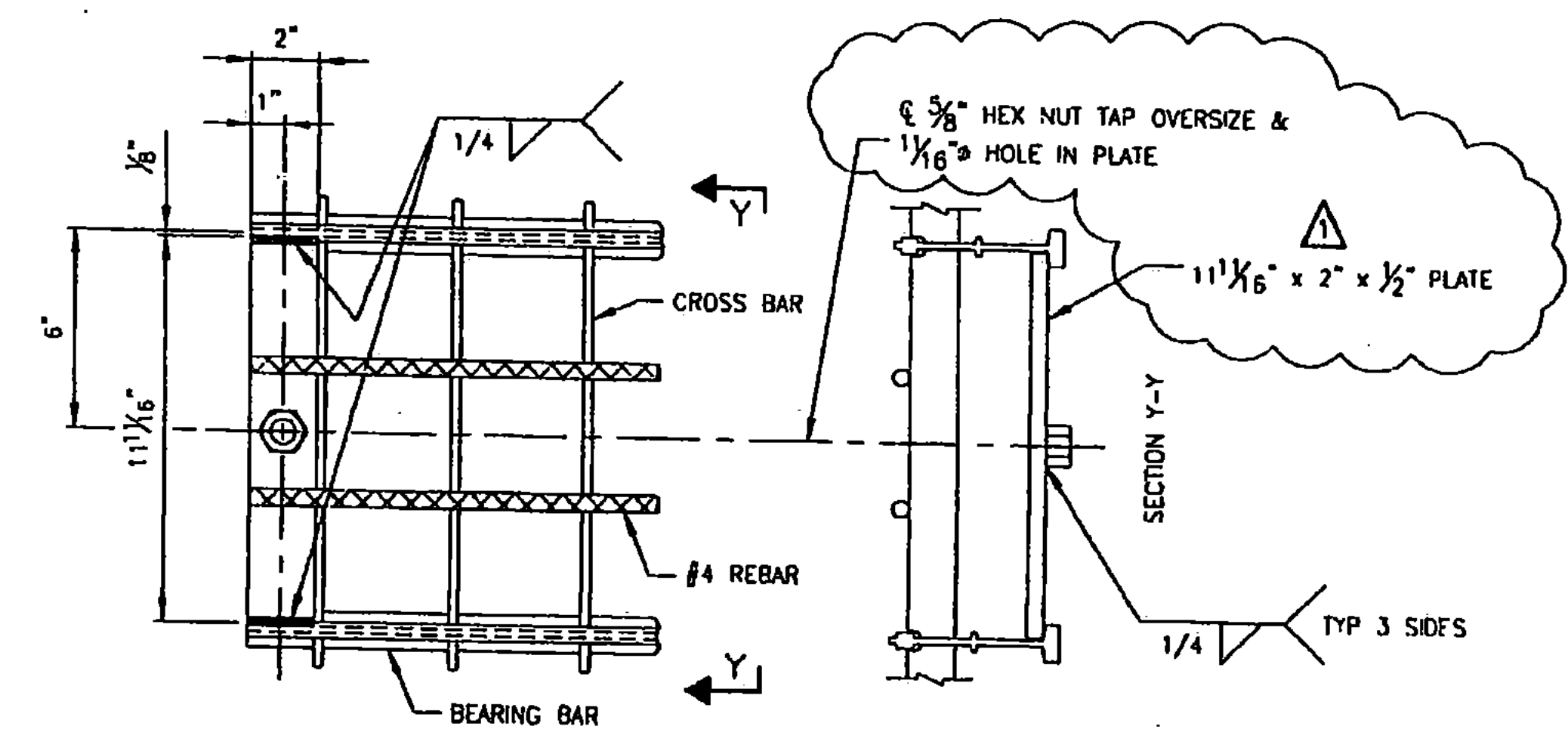
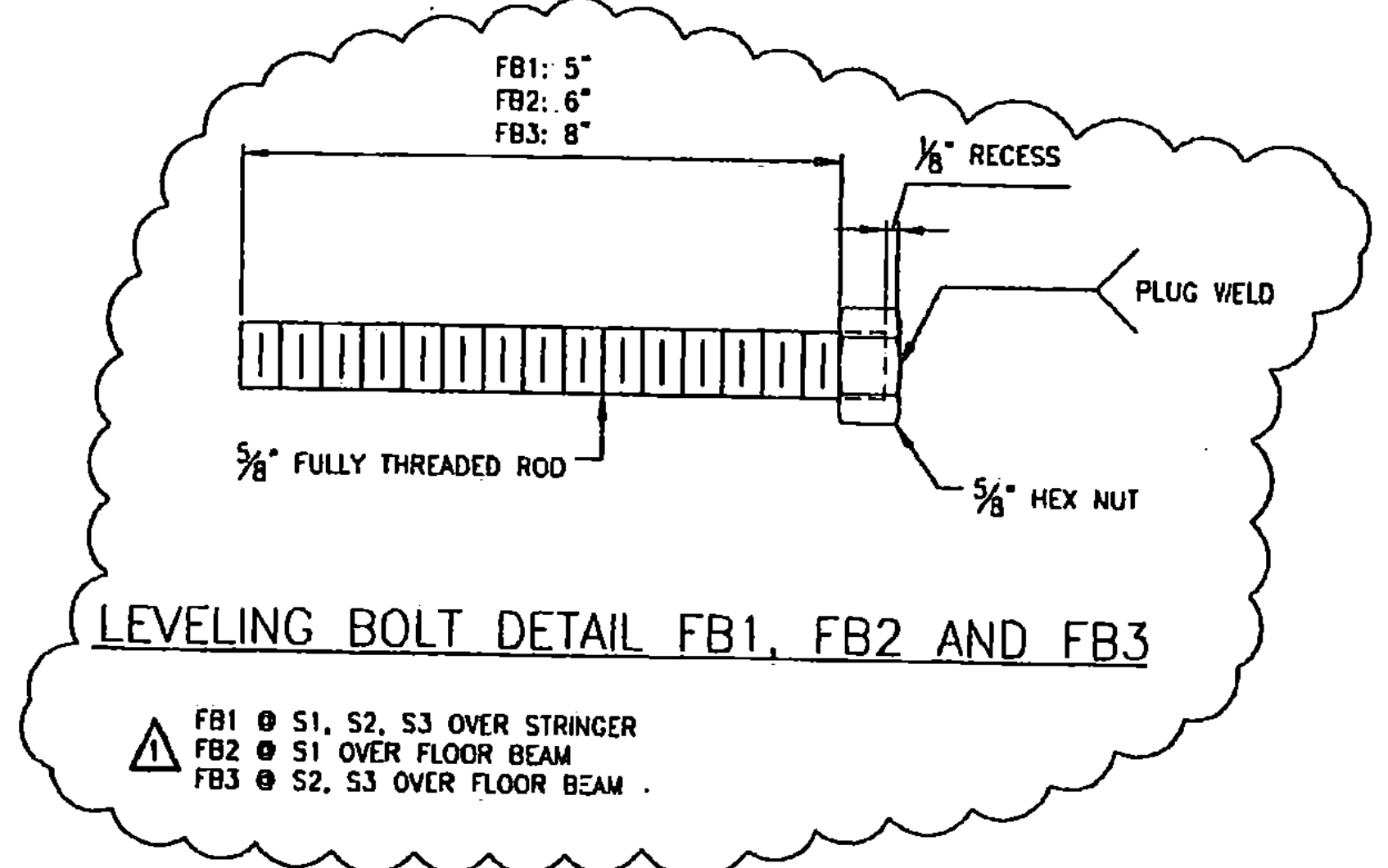


LEVELING PLATE "lp1" WELD DETAILS

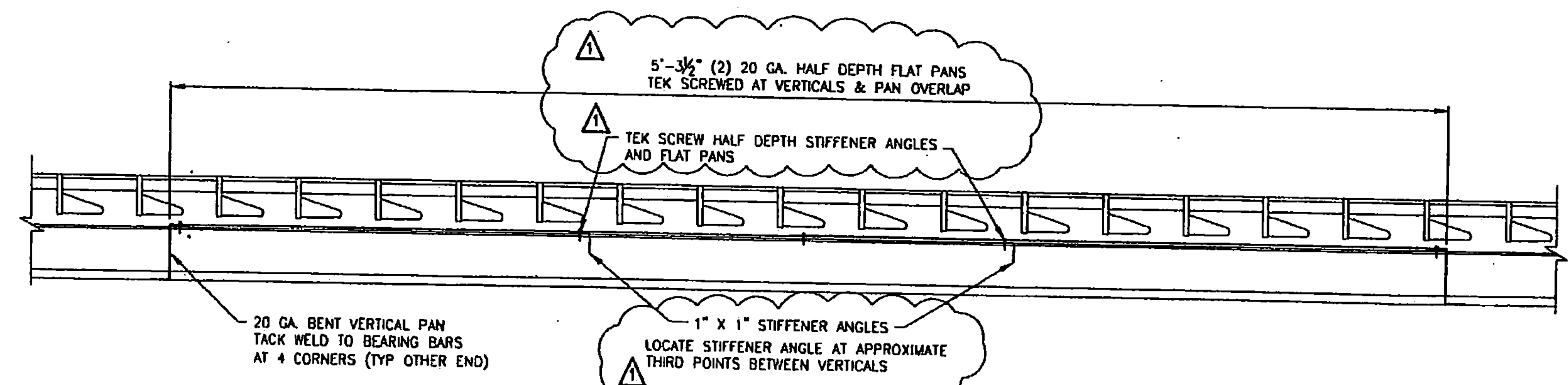


LEVELING PLATE "lp2" WELD DETAILS

REMOVED TRIM DETAIL PER APPROVER'S COMMENTS ON SHEET LBE2 SECTIONS A-A & B-B.

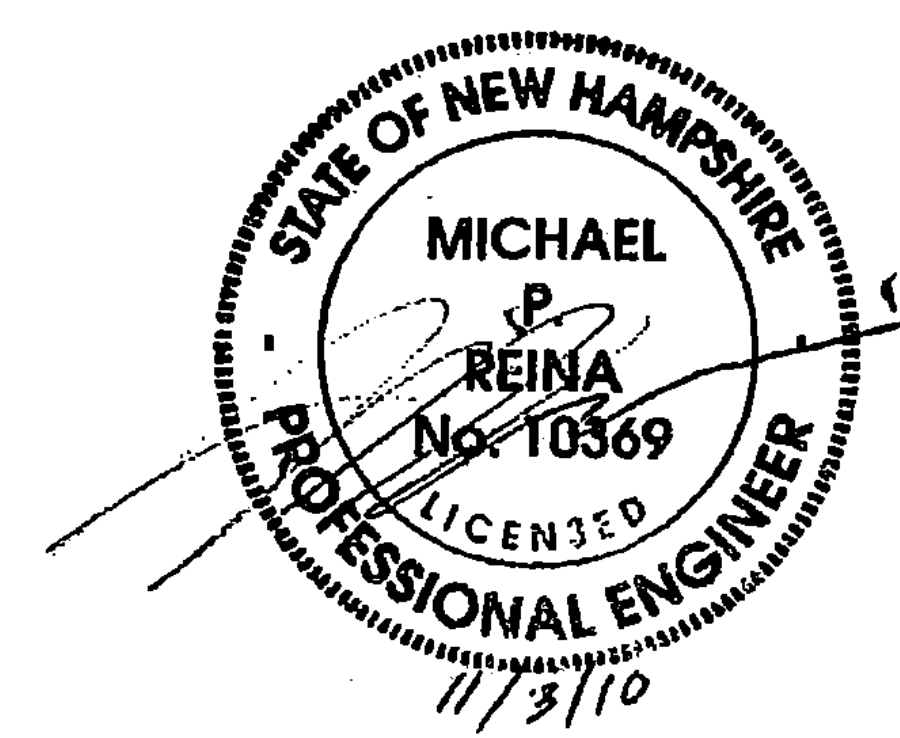


LEVELING BOLT DETAIL FB1, FB2 AND FB3



FORM PAN WELD DETAIL

RECEIVED
 OK'D BY 167 OK'D BY _____
 JAN 17 2011
 RESUBMIT _____ APPROVED _____
 BY KMH DATE 1/20/11



REVISION	DATE	BY	DESCRIPTION
1	10/25/10	B L J	REVISED PER APPROVER'S COMMENTS
2	10/25/10	B L J	

APPROVED: _____

L. B. FOSTER CO.
 GENERAL OFFICE
 PITTSBURGH, PENNSYLVANIA 15220

FOR: MILLER CONSTRUCTION
 STATE OF VERMONT AGENCY OF TRANSPORTATION
 TOWN OF BRIDGEWATER, COUNTY OF WINDSOR
 VT. ROUTE 100A, BR14 PROJ. NO. BRS 0149 (4)
 SHOP WELDS

DATE WPD: 8/18/10 JOB NO. SD0339
 DATE RLP: 9/11/10 DRAWING LB2 REV. NO. 1

181 PRE FAB DECK PANELS