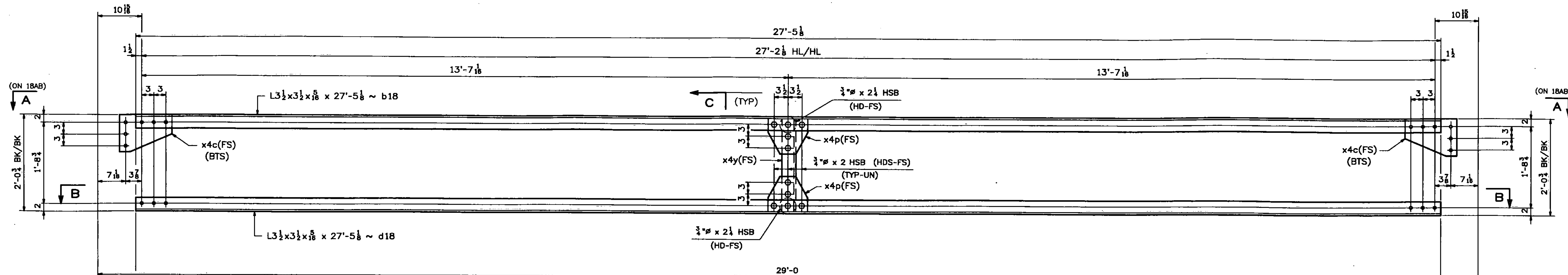
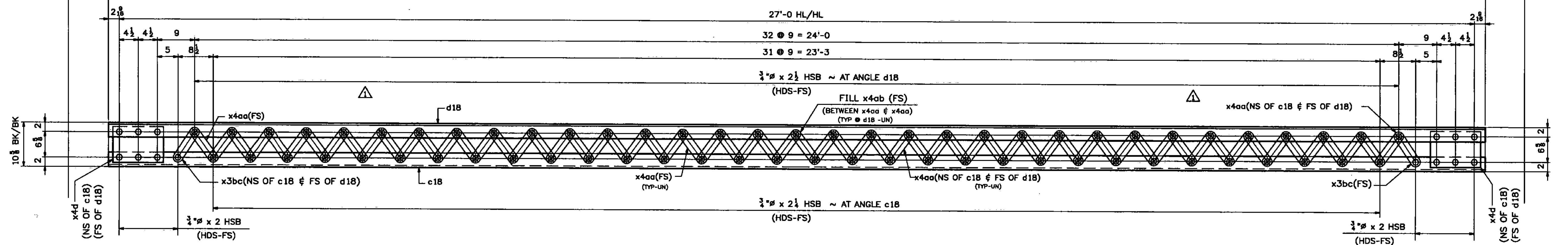


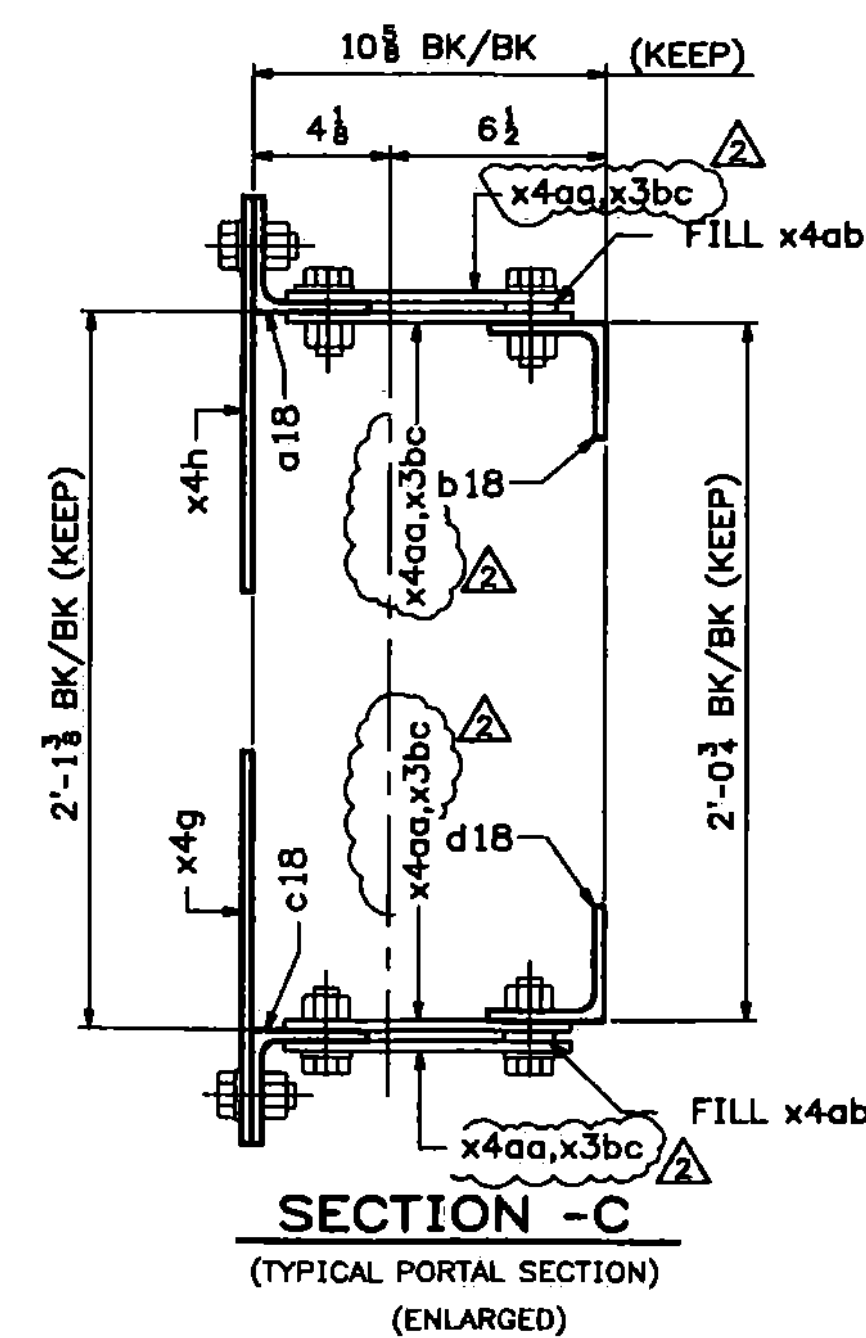
160 STRUCTURAL STEEL



REAR VIEW OF PORTAL  
(LOOKING TOWARDS THE CENTER OF SPAN)



BOTTOM SECTION B-B



SECTION - C  
(TYPICAL PORTAL SECTION)  
(ENLARGED)

Vermont Agency of Transportation

RECEIVED

CK'D BY TCF OK'D BY SSS

7:43 am, Apr 12, 2011

RESUBMIT APPROVED X  
BY KMH DATE 4-12-11

ABM INFO	SHIP	BILL OF MATERIAL				JOB NO.	DRAWING NO.	REV.
		QTY	MARK	MATERIAL	LENGTH FT INCHES	454	18B	
7	D	16	x4v	L 3 1/2 x 3 1/2 x 1/8	2 11			
7	E	2	x4w	L 3 1/2 x 3 1/2 x 1/8	2 11			
7	E	2	x4y	L 3 1/2 x 3 1/2 x 1/8	1 11 1/2			
7	L	256	x4aa	PL 1/2 x 2 1/2	0 10 1/2			
7	L	132	x4ab	PL 1/2 x 2 1/2	0 2 1/2			
10	C	280	1 # HSB		0 2			
10	D	132	1 # HSB		0 2 1/2			
10	E	132	1 # HSB		0 2 1/2			
10	P	544	1 # HSB					

ABM INFO	SHIP	BILL OF MATERIAL				JOB NO.	DRAWING NO.	REV.
		QTY	MARK	MATERIAL	LENGTH FT INCHES	454	18B	
7	B	2	a18	L 3 1/2 x 3 1/2 x 1/8	27 5 1/2			
7	B	2	b18	L 3 1/2 x 3 1/2 x 1/8	27 5 1/2			
7	B	2	c18	L 3 1/2 x 3 1/2 x 1/8	27 5 1/2			
7	B	2	d18	L 3 1/2 x 3 1/2 x 1/8	27 5 1/2			
7	L	8	x3bc	PL 1/2 x 2 1/2	0 10			
7	F	2	x4a	PL 3/8 x 2 1/2	2 9 1/2			
7	F	2	x4b	PL 3/8 x 2 1/2	2 9 1/2			
7	G	4	x4c	PL 1/2 x 9 1/2	1 1			
7	H	8	x4d	PL 1/2 x 9 1/2	1 0			
7	J	4	x4g	PL 1/2 x 12	1 6 1/2			
7	J	8	x4h	PL 1/2 x 12 1/2	1 5 1/2			
7	J	4	x4k	PL 1/2 x 12	1 5 1/2			
7	J	2	x4m	PL 1/2 x 12	2 0			
7	K	2	x4n	PL 1/2 x 9	1 0			
7	K	4	x4p	PL 1/2 x 9	0 10			
7	C	4	x4s	L 3 1/2 x 3 1/2 x 1/8	3 1 1/2			

T2 - DENOTES MATERIAL SUBJECT TO CHARPY V-NOTCH TESTING

WORK THIS DWG. WITH DWG. 18AB.

REV.	DATE	REMARKS	DWN	CHK	APVL	SHOP
0						
03/24/11		REVISED AS NOTED	JM	PWR		
03/02/11		REVISED AS PER APPROVAL COMMENTS	JM	PWR		

MATERIAL:	SURFACE PREP. & PAINT:	HOLES:	SHOP BOLTS:
M270-50 (U.N.)	SEE DWG GN1	1 1/2"	AS NOTED

DESCRIPTION: PORTALS

**CASCO BAY STEEL STRUCTURES, INC.**  
75 SPRING HILL ROAD SACO, MAINE 04072  
PHONE (207) 282-7360 FAX. (207) 282-1179

STRUCTURE:	Vermont Route 100A Bridge No. 14 Bridgewater County of Windsor	DRAWN:	DATE:
		RB	10/7/10
		CHKD:	DATE:
		WJL	10/19/10

LOCATION:	BRIDGEWATER, VERMONT	JOB NO.	DWG NO.
PROJ NO.	BRS 0149(4)	454	18B
CUSTOMER:	VT AOT		REV. 1