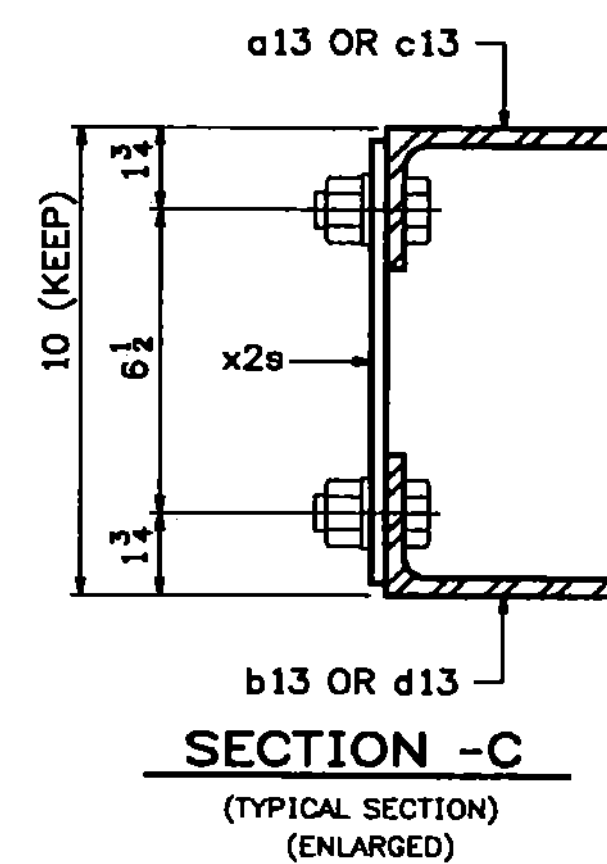
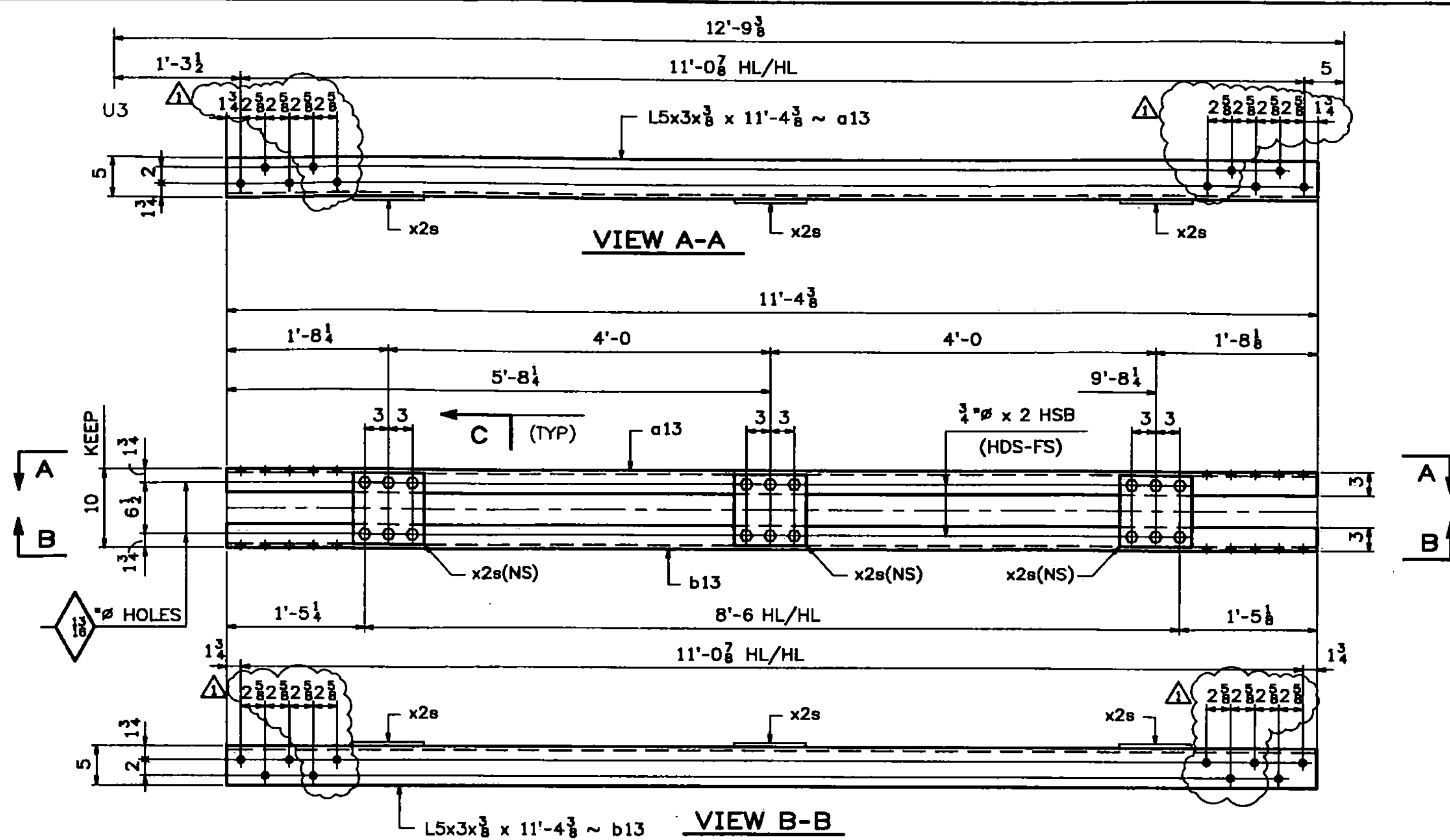
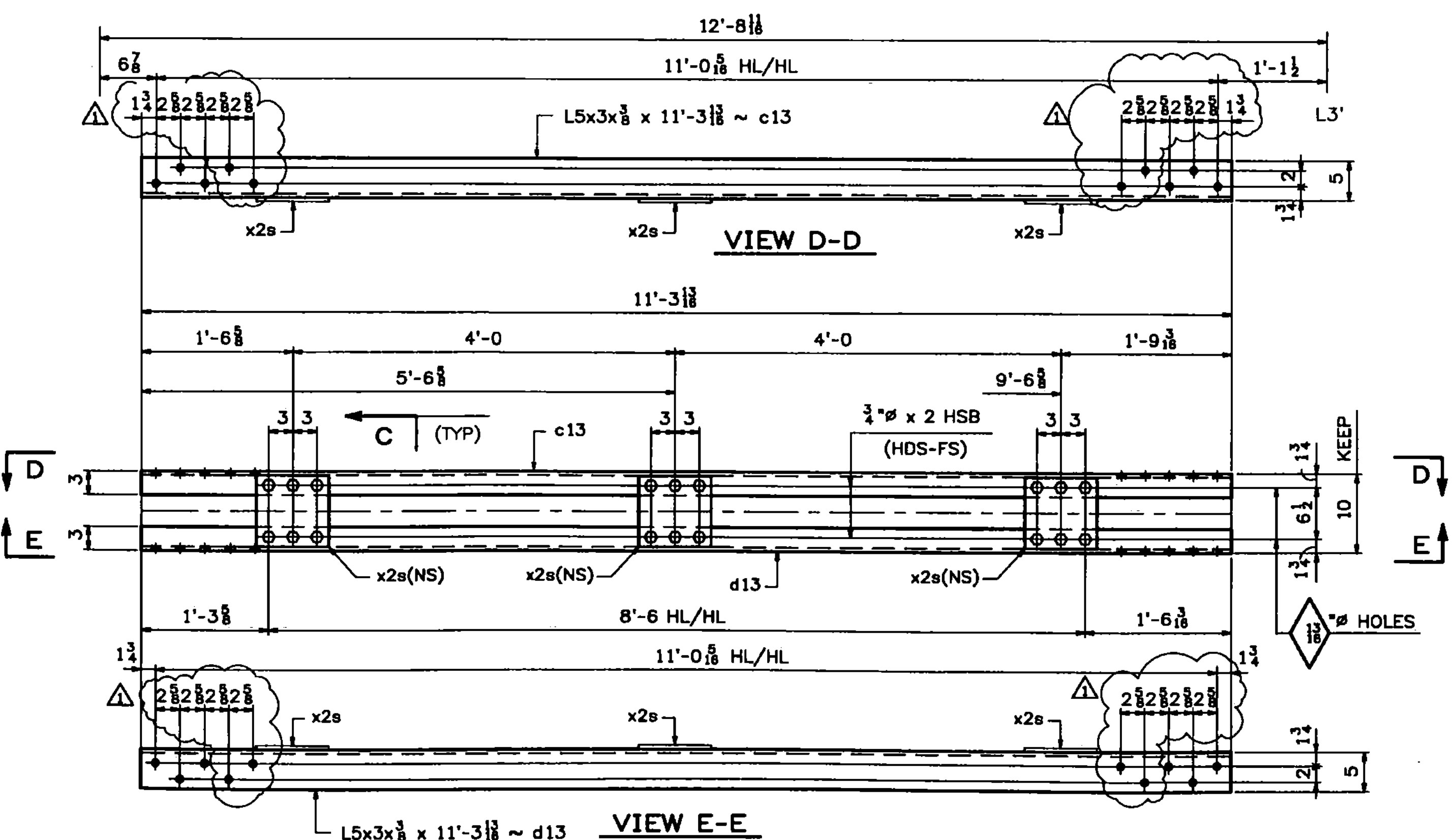


152 STRUCTURAL
STEEL



ONE - DIAGONAL - 13D5W
(U3-CTR WEST)
ONE - DIAGONAL - 13D5E
(U3-CTR EAST)
ALIKE EXCEPT FOR MARK



ONE - DIAGONAL - 13D6W
(CTR-L3' WEST)
ONE - DIAGONAL - 13D6E
(CTR-L3' EAST)
ALIKE EXCEPT FOR MARK

ABM INFO		SHIP		BILL OF MATERIAL				JOB NO.	DRAWING NO.	REV.
PAGE	LINE	MARK	QTY	MARK	MATERIAL	LENGTH	REMARKS	454	13	
						FT INCHES				
							ALIKE EXCEPT FOR MARK			254
										254
4	C		2	a13	L 5x3x3/8	11 4 3/8	(GALVANIZED) M270-5012			
4	C		2	b13	L 5x3x3/8	11 4 3/8	(GALVANIZED) M270-5012			
4	G		6	x2s	PL 3/8 x9	0 9 1/2	(GALVANIZED)			
10	C		36		1/2 # HSB	0 2	(GALVANIZED) A325-1			
10	P		36		1/2 # HSW		(GALVANIZED) F438			
							ALIKE EXCEPT FOR MARK			253
										253
4	C		2	c13	L 5x3x3/8	11 3 3/8	(GALVANIZED) M270-5012			
4	C		2	d13	L 5x3x3/8	11 3 3/8	(GALVANIZED) M270-5012			
4	G		6	x2s	PL 3/8 x9	0 9 1/2	(GALVANIZED)			
10	C		36		1/2 # HSB	0 2	(GALVANIZED) A325-1			
10	P		36		1/2 # HSW		(GALVANIZED) F438			

T2 - DENOTES MATERIAL SUBJECT TO CHARPY V-NOTCH TESTING

Vermont Agency of Transportation

RECEIVED

CK'D BY TCF OK'D BY SSS

7:43 am, Apr 12, 2011

RESUBMIT APPROVED X

BY KMH DATE 4-12-11

SHOP NOTE:
ALL STEEL FOR DIAGONAL ASSEMBLIES SHALL BE GALVANIZED

- NOTES:
- FOR GENERAL NOTES SEE DWG. GN1.
 - FOR STANDARD DETAILS SEE DWG. X2.
 - ALL BOLTS SHALL BE FULLY TORQUED.

03/02/11	REVISED AS PER APPROVAL COMMENTS	JM	PWR			
REV.	DATE	REMARKS	DWN	CHK	APVL	SHOP
MATERIAL:		SURFACE PREP. & PAINT:		HOLES:		SHOP BOLTS:
M270-50 (U.N.)		SEE DWG GN1		3/8 (U.N.)		AS NOTED
DESCRIPTION: DIAGONALS 13D5W, 13D5E, 13D6W & 13D6E						
CASCO BAY STEEL STRUCTURES, INC.						
75 SPRING HILL ROAD			SACO, MAINE 04072			
PHONE (207) 282-7360			FAX. (207) 282-1179			
STRUCTURE: Vermont Route 100A			DRAWN: RB		DATE: 10/4/10	
Bridge No. 14						
Bridgewater			CHKD: WJL		DATE: 10/19/10	
County of Windsor						
LOCATION: BRIDGEWATER, VERMONT			JOB NO.		DWG NO.	
PROJ NO. BRS 0149(4)			454		13	
CUSTOMER: VT AOT					REV. A	