

151 STRUCTURAL STEEL

Vermont Agency of Transportation

RECEIVED

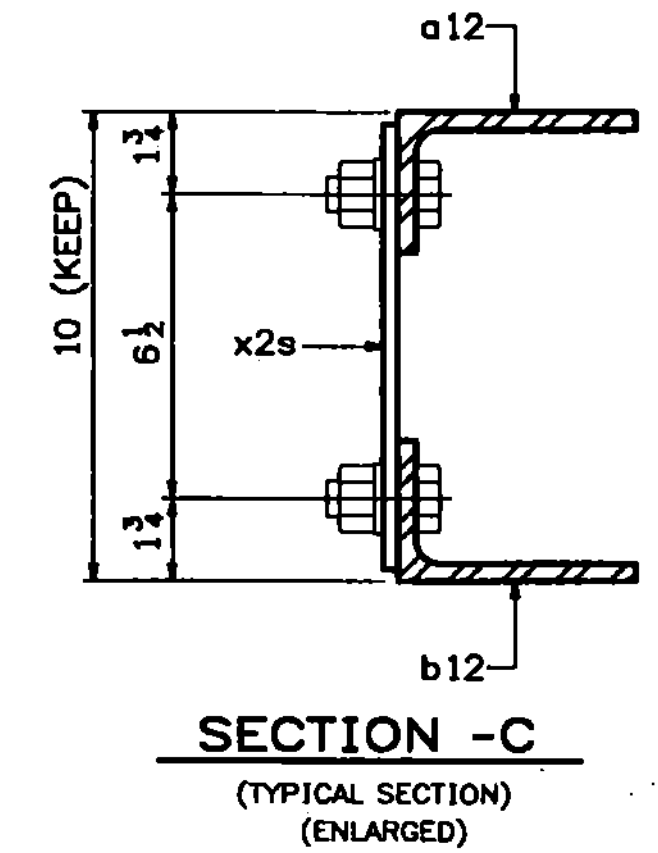
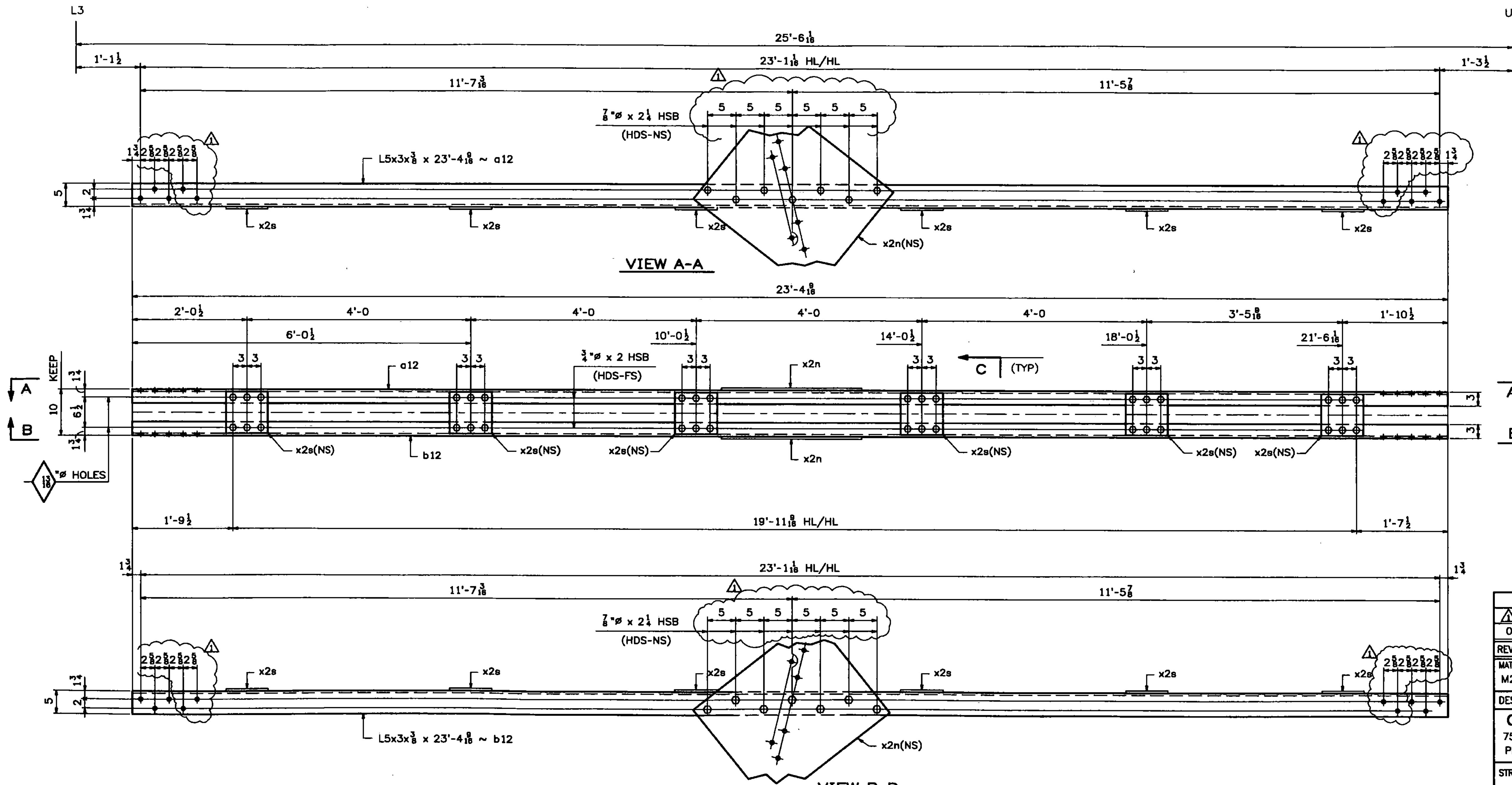
CK'D BY TCF OK'D BY SSS

7:43 am, Apr 12, 2011

RESUBMIT _____ APPROVED
 BY KMH DATE 4-12-11

JOB NO.		DRAWING NO.		REV.					
454		12							
PAGE	LINE	MARK	QTY	MARK	MATERIAL	LENGTH FT INCHES	REMARKS	WT	PROCUREMENT NOTES
		12D4W	1		DIAGONAL		ALIKE EXCEPT FOR MARK	68.3	
		12D4E	1		DIAGONAL			68.3	
4	C		2	a12	L 5x3x $\frac{3}{8}$	23 4 $\frac{1}{8}$	(GALVANIZED) M270-5012		
4	C		2	b12	L 5x3x $\frac{3}{8}$	23 4 $\frac{1}{8}$	(GALVANIZED) M270-5012		
4	E		4	x2n	PL $\frac{3}{8}$ x24	2 5 $\frac{1}{8}$	(GALVANIZED) M270-5012		
4	G		12	x2e	PL $\frac{3}{8}$ x9	0 9 $\frac{1}{2}$	(GALVANIZED)		
10	C		72		$\frac{1}{2}$ # HSB	0 2	(GALVANIZED) A325-1		
10	P		72		$\frac{1}{2}$ # HSW		(GALVANIZED) F336		
11	C		28		$\frac{1}{2}$ # HSB	0 2 $\frac{1}{2}$	(GALVANIZED) A325-1		
11	P		28		$\frac{1}{2}$ # HSW		(GALVANIZED) F336		

T2 - DENOTES MATERIAL SUBJECT TO CHARPY V-NOTCH TESTING



SHOP NOTE:
 ALL STEEL FOR DIAGONAL ASSEMBLIES SHALL BE GALVANIZED

ONE - DIAGONAL - 12D4W (L3-U3' WEST)
 ONE - DIAGONAL - 12D4E (L3-U3' EAST)
 ALIKE EXCEPT FOR MARK

NOTES:
 1. FOR GENERAL NOTES SEE DWG. GN1.
 2. FOR STANDARD DETAILS SEE DWG. X2.
 3. ALL BOLTS SHALL BE FULLY TORQUED.

0	03/02/11	REVISED AS PER APPROVAL COMMENTS	JM	PWR		
REV.	DATE	REMARKS	DWN	CHK	APVL	SHOP
MATERIAL:		SURFACE PREP. & PAINT:		HOLES:		SHOP BOLTS:
M270-50 (U.N.)		SEE DWG GN1		$\frac{1}{8}$ (U.N.)		AS NOTED
DESCRIPTION: DIAGONALS 12D4W & 12D4E						
CASCO BAY STEEL STRUCTURES, INC.						
75 SPRING HILL ROAD			SACO, MAINE 04072			
PHONE (207) 282-7360			FAX. (207) 282-1179			
STRUCTURE: Vermont Route 100A			DRAWN: RB		DATE: 10/4/10	
Bridge No. 14			CHKD: WJL		DATE: 10/19/10	
Bridgewater			JOB NO. 454		DWG NO. 12	
County of Windsor			CUSTOMER: VT AOT		REV. <input checked="" type="checkbox"/>	