

150 STRUCTURAL
STEEL

Vermont Agency of Transportation
RECEIVED

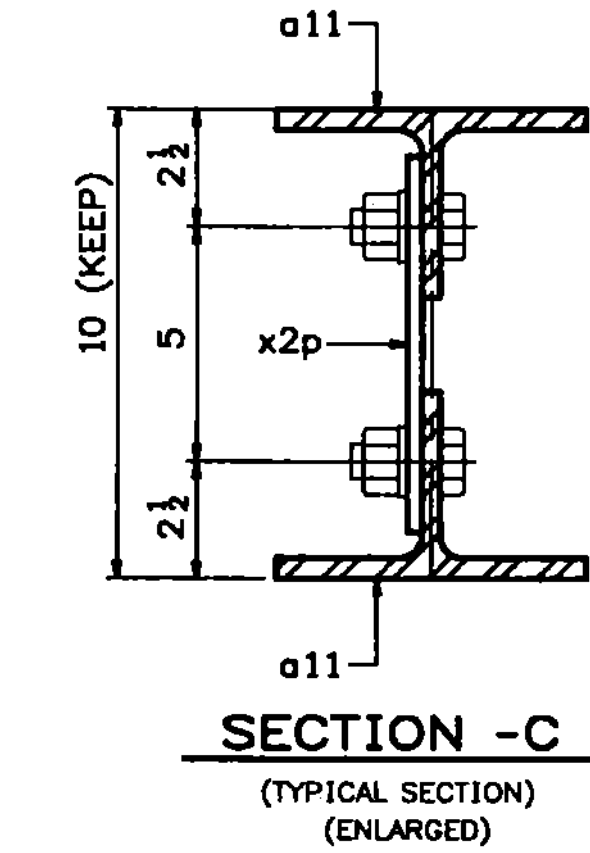
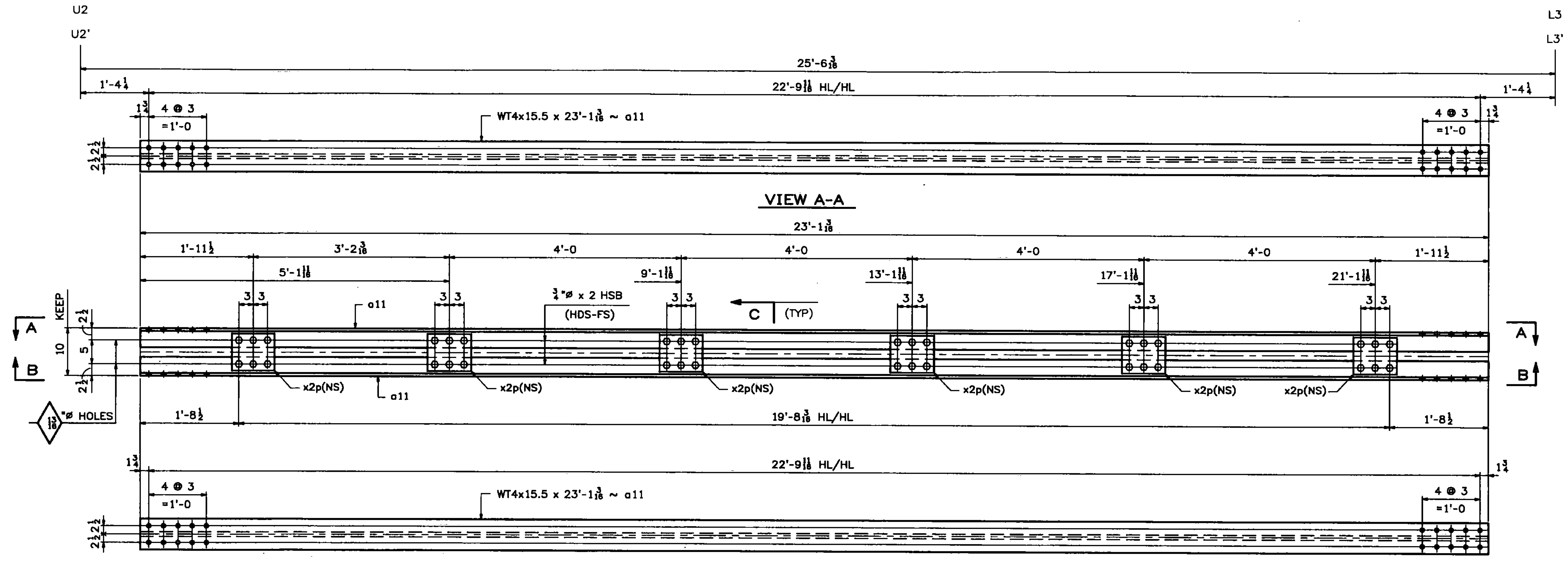
CK'D BY TCF OK'D BY SSS

7:43 am, Apr 12, 2011

RESUBMIT _____ APPROVED X
BY KMH DATE 4-12-11

ABM INFO		BILL OF MATERIAL				JOB NO.	DRAWING NO.	REV.	
PAGE	LINE	MARK	QTY	MARK	MATERIAL	LENGTH FT INCHES	REMARKS	WT	PROCUREMENT NOTES
							ALIKE EXCEPT FOR MARK	775	
		11D3W	1		DIAGONAL			775	
		11D3E	1		DIAGONAL			775	
		11D7W	1		DIAGONAL			775	
		11D7E	1		DIAGONAL			775	
4	B		8	o11	WT 4x15.5	23 1 1/8	(GALVANIZED) M270-50		
4	F		24	x2p	PL 3/8 x 8	0 9	(GALVANIZED)		
10	C		144		3/8 HSB	0 2	(GALVANIZED) A325-1		
10	P		144		3/8 HSW		(GALVANIZED) F438		

T2 - DENOTES MATERIAL SUBJECT TO CHАРRY V-NOTCH TESTING



- ONE - DIAGONAL - 11D3W (L3-U2 WEST)
- ONE - DIAGONAL - 11D3E (L3-U2 EAST)
- ONE - DIAGONAL - 11D7W (L3'-U2' WEST)
- ONE - DIAGONAL - 11D7E (L3'-U2' EAST)

ALIKE EXCEPT FOR MARK

SHOP NOTE:
ALL STEEL FOR DIAGONAL ASSEMBLIES SHALL BE GALVANIZED

- NOTES:**
- FOR GENERAL NOTES SEE DWG. GN1.
 - FOR STANDARD DETAILS SEE DWG. X2.
 - ALL BOLTS SHALL BE FULLY TORQUED.

03/02/11	REVISED AS PER APPROVAL COMMENTS	JM	PWR			
REV.	DATE	REMARKS	DWN	CHK	APVL	SHOP
MATERIAL:	SURFACE PREP. & PAINT:	HOLES:	SHOP BOLTS:			
M270-50 (U.N.)	SEE DWG GN1	3/8 (U.N.)	AS NOTED			
DESCRIPTION: DIAGONALS 11D2W, 11D2E, 11D8W & 11D8E						
CASCO BAY STEEL STRUCTURES, INC.						
75 SPRING HILL ROAD SACO, MAINE 04072						
PHONE (207) 282-7360 FAX. (207) 282-1179						
STRUCTURE: Vermont Route 100A Bridge No. 14 Bridgewater County of Windsor			DRAWN: RB	DATE: 10/1/10		
			CHKD: WJL	DATE: 10/19/10		
LOCATION: BRIDGEWATER, VERMONT			JOB NO. 454	DWG NO. 11		
PROJ NO. BRS 0149(4)						
CUSTOMER: VT AOT					REV. 11	