

149 STRUCTURAL STEEL

Vermont Agency of Transportation

RECEIVED

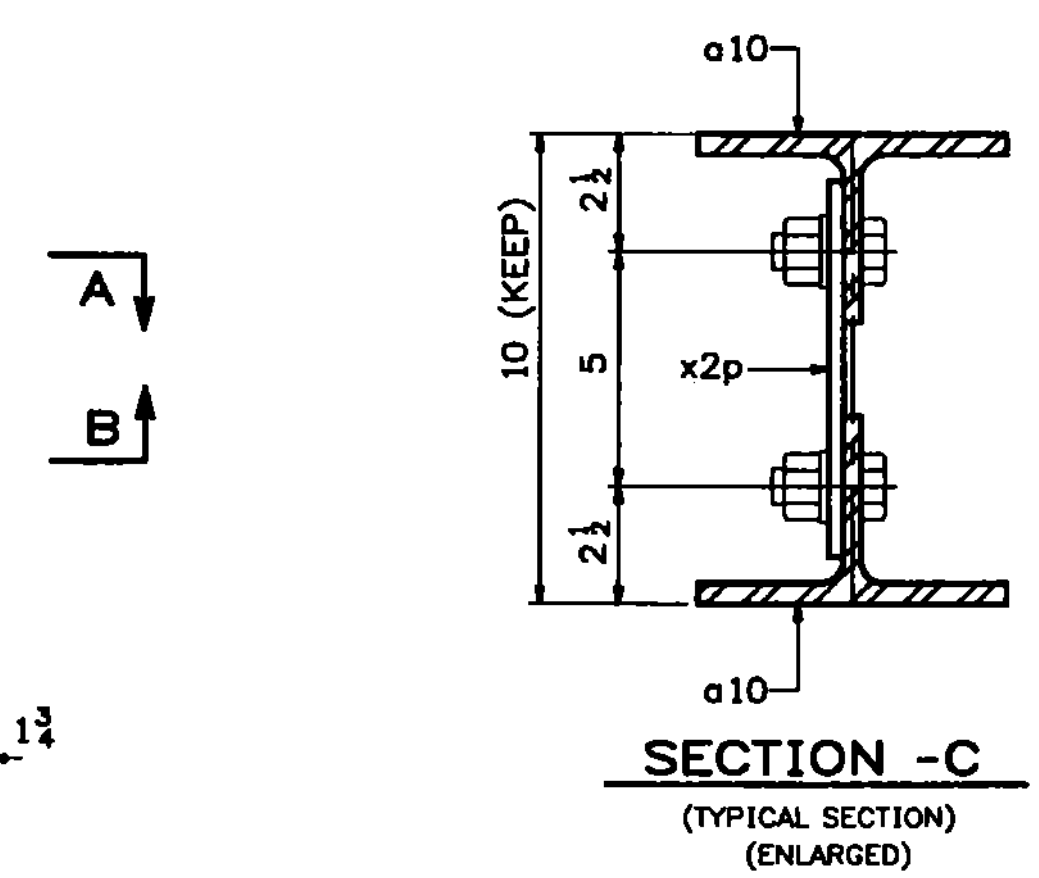
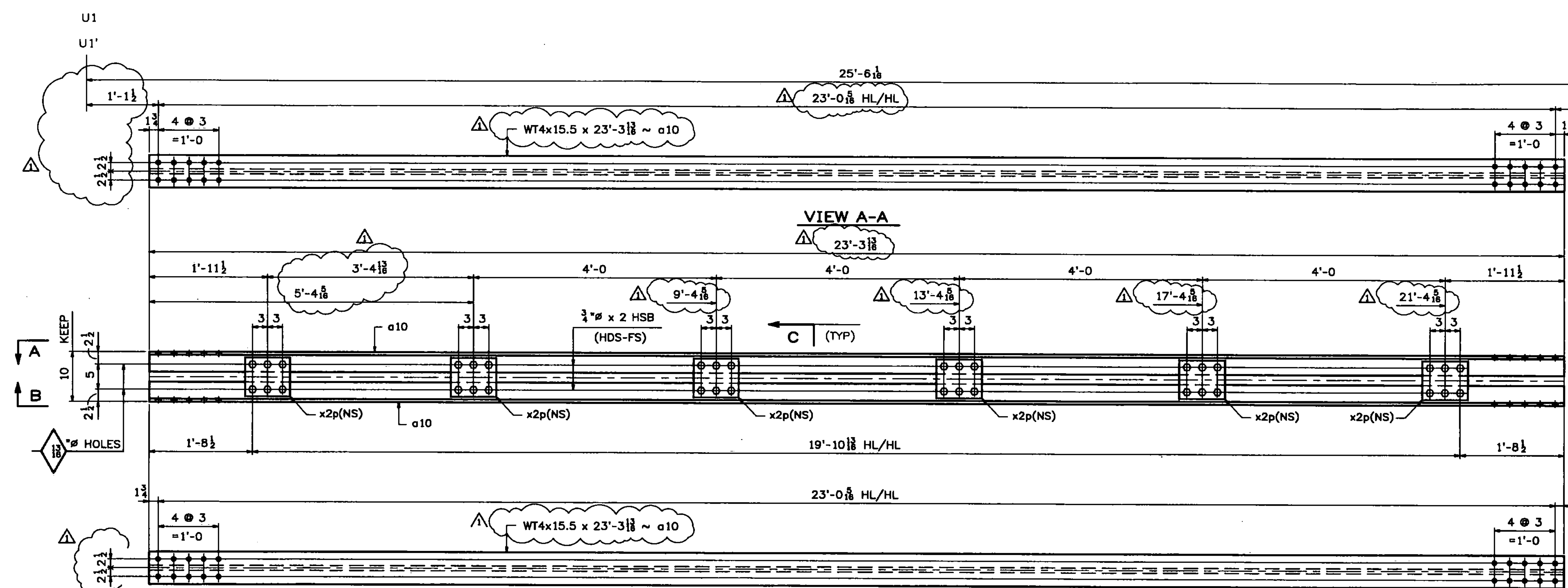
CK'D BY TCF OK'D BY SSS

7:43 am, Apr 12, 2011

RESUBMIT APPROVED X
BY KMH DATE 4-12-11

JOB NO.		DRAWING NO.		REV.					
454		10							
PAGE	LINE	MARK	QTY	MARK	MATERIAL	LENGTH FT INCHES	REMARKS	WT	PROCUREMENT NOTES
		10D2W	1		DIAGONAL		ALIKE EXCEPT FOR MARK	782	
		10D2E	1		DIAGONAL			782	
		10D8W	1		DIAGONAL			782	
		10D8E	1		DIAGONAL			782	
4	B		8	ø10	WT 4x15.5	23 3/8	(GALVANIZED) M270-502		
4	F		24	x2p	PL 1/8x8	0 9	(GALVANIZED)		
10	C		144		1 # HSB	0 2	(GALVANIZED) A325-1		
10	P		144		1 # HSW		(GALVANIZED) F436		

T2 - DENOTES MATERIAL SUBJECT TO CHARPY V-NOTCH TESTING



- ONE - DIAGONAL - 10D2W (L2-U1 WEST)
- ONE - DIAGONAL - 10D2E (L2-U1 EAST)
- ONE - DIAGONAL - 10D8W (L2-U1 WEST)
- ONE - DIAGONAL - 10D8E (L2-U1 EAST)

ALIKE EXCEPT FOR MARK

SHOP NOTE:
ALL STEEL FOR DIAGONAL ASSEMBLIES SHALL BE GALVANIZED

- NOTES:**
- FOR GENERAL NOTES SEE DWG. GN1.
 - FOR STANDARD DETAILS SEE DWG. X2.
 - ALL BOLTS SHALL BE FULLY TORQUED.

03/02/11	REVISED AS PER APPROVAL COMMENTS	JM	PWR			
0						
REV.	DATE	REMARKS	DWN	CHK	APVL	SHOP
MATERIAL:		SURFACE PREP. & PAINT:		HOLES:		SHOP BOLTS:
M270-50 (U.N.)		SEE DWG GN1		1/8" ø (U.N.)		AS NOTED
DESCRIPTION: DIAGONALS 10D2W, 10D2E, 10D8W & 10D8E						
CASCO BAY STEEL STRUCTURES, INC.						
75 SPRING HILL ROAD SACO, MAINE 04072						
PHONE (207) 282-7360 FAX. (207) 282-1179						
STRUCTURE: Vermont Route 100A Bridge No. 14 Bridgewater County of Windsor			DRAWN: RB	DATE: 10/1/10		
			CHKD: WJL	DATE: 10/19/10		
LOCATION: BRIDGEWATER, VERMONT			JOB NO. 454	DWG NO. 10		
PROJ NO. BRS 0149(4)						
CUSTOMER: VT AOT					REV. 10	