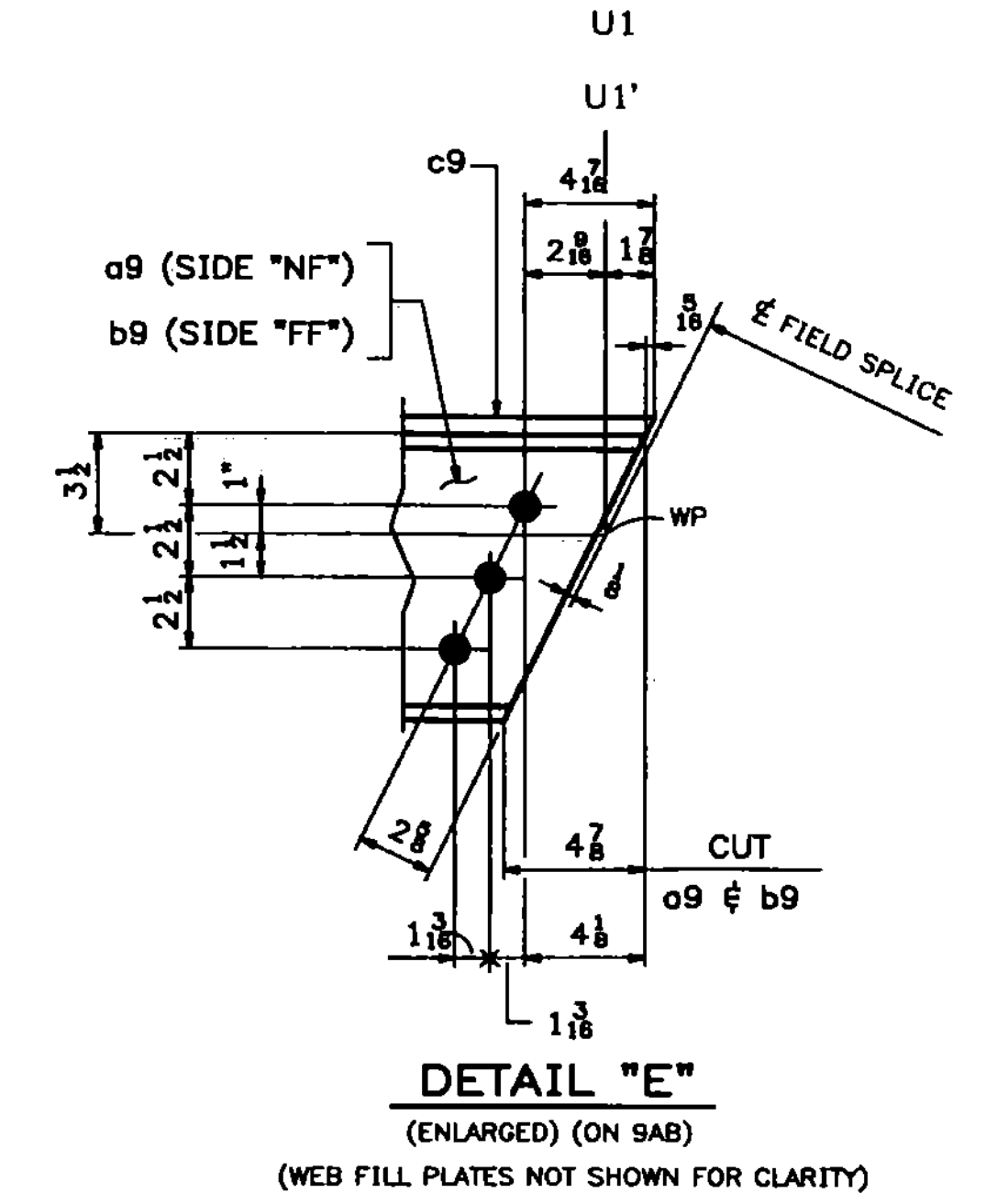
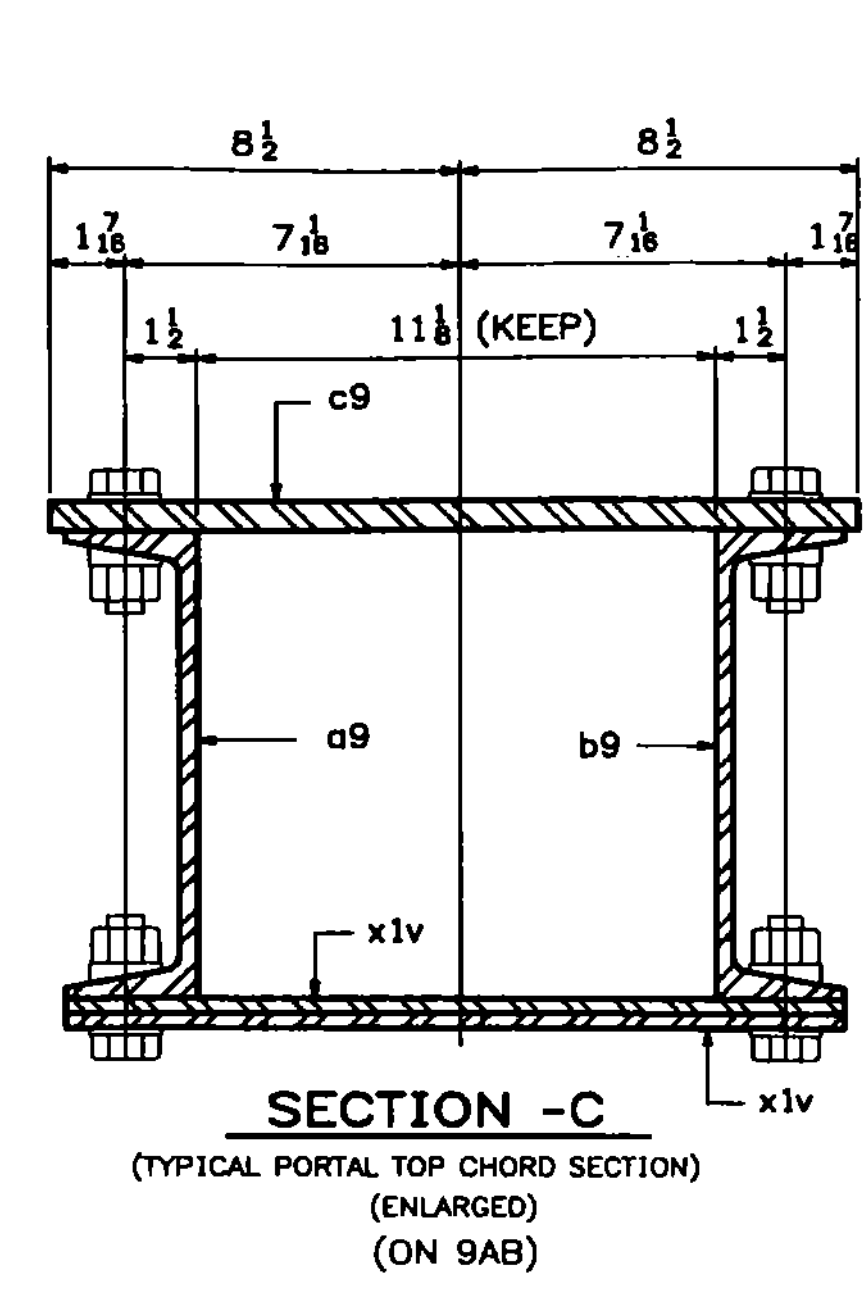


148 STRUCTURAL
STEEL



ABM INFO		SHIP				BILL OF MATERIAL				JOB NO.		DRAWING NO.		REV.
						454				454		9B		
PAGE	LINE	MARK	QTY	MARK	MATERIAL	LENGTH		REMARKS	WT	PROCUREMENT		NOTES		
						FT	INCHES							
		9D1E	1		PORTAL TOP CHORD			ALIKE EXCEPT		231E				
		9D9W	1		PORTAL TOP CHORD			FOR MARK		231E				
3	B		2	a9	C 10x20	24	5 1/8	(GALVANIZED) M270-5012						
3	B		2	b9	C 10x20	24	5 1/8	(GALVANIZED) M270-5012						
3	C		2	c9	PL 8x17	24	5 1/8	(GALVANIZED) M270-5012						
2	P		64	x1v	PL 8x2 1/2	1	8 1/8	(GALVANIZED)						
2	P		8	x1w	PL 8x2 1/2	1	8 1/8	(GALVANIZED)						
3	M		4	x1y	PL 1/2x8	2	0 3/8	(GALVANIZED)						
3	E		2	x2k	PL 1/2x13 1/2	2	2 1/8	(GALVANIZED)						
3	F		2	x2m	PL 1/2x18	2	2 1/8	(GALVANIZED)						
3	J		2	x2w	L 4x4x 3/8	2	8 3/8	(GALVANIZED)						
3	J		2	x2y	L 4x4x 3/8	2	8 3/8	(GALVANIZED)						
3	K		2	x2oc	PL 1/2x17	1	6	(GALVANIZED)						
3	L		4	x2od	PL 1/2x4	1	4 1/2	(GALVANIZED)						
10	D		28		1/2 # HSB	0	2 1/2	(GALVANIZED) A325-1						
10	E		20		1/2 # HSB	0	2 1/2	(GALVANIZED) A325-1						
10	F		264		1/2 # HSB	0	2 1/2	(GALVANIZED) A325-1						
10	G		20		1/2 # HSB	0	3	(GALVANIZED) A325-1						
10	P		332		1/2 # HSB			(GALVANIZED) A325-1						
10	Q		332		REVEL WASH FOR 3/8 # HSB			(GALVANIZED) A325-1						

T2 - DENOTES MATERIAL SUBJECT TO CHARPY V-NOTCH TESTING

Vermont Agency of Transportation

RECEIVED

CK'D BY TCF OK'D BY SSS

7:43 am, Apr 12, 2011

RESUBMIT APPROVED X

BY KMH DATE 4-12-11

WORK THIS DWG. WITH DWG. 9AB.

03/23/11	REVISED AS PER APPROVAL COMMENTS	JM	PWR		
03/02/11	REVISED AS PER APPROVAL COMMENTS	JM	PWR		
REV.	DATE	REMARKS	DWN	CHK	APVL
MATERIAL:		SURFACE PREP. & PAINT:	HOLES:	SHOP BOLTS:	
M270-50 (U.N.)		SEE DWG GN1	1/8 # (U.N.)	AS NOTED	
DESCRIPTION: PORTAL TOP CHORD 9D1E & 9D9W					
CASCO BAY STEEL STRUCTURES, INC.					
75 SPRING HILL ROAD SACO, MAINE 04072					
PHONE (207) 282-7360 FAX. (207) 282-1179					
STRUCTURE: Vermont Route 100A Bridge No. 14 Bridgewater County of Windsor			DRAWN:	DATE:	
			RB	9/30/10	
			CHKD:	DATE:	
			WJL	10/19/10	
LOCATION: BRIDGEWATER, VERMONT			JOB NO.	DWG NO.	
PROJ NO. BRS 0149(4)			454	9B	
CUSTOMER: VT AOT				REV. A	