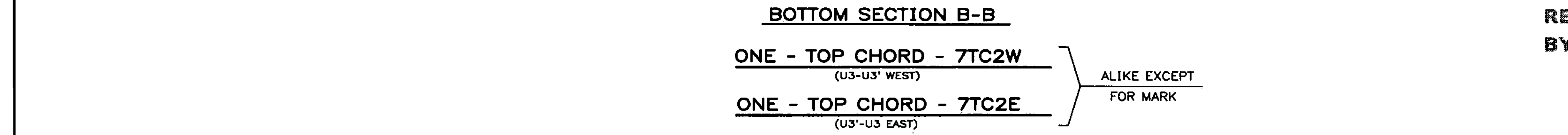
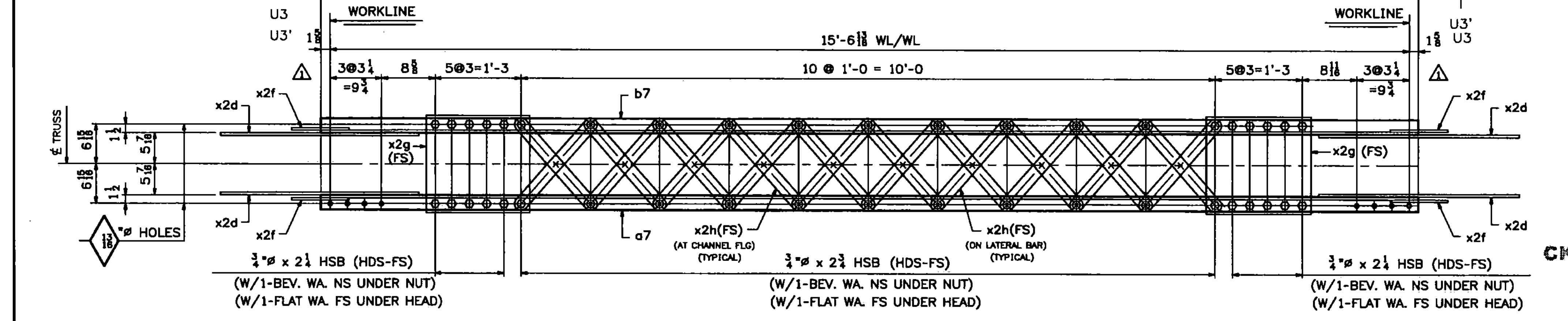
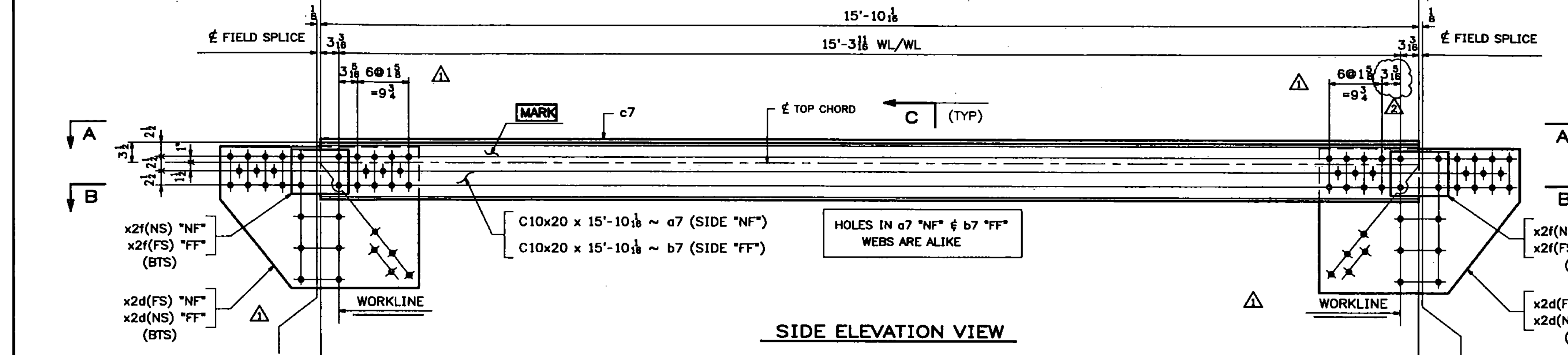
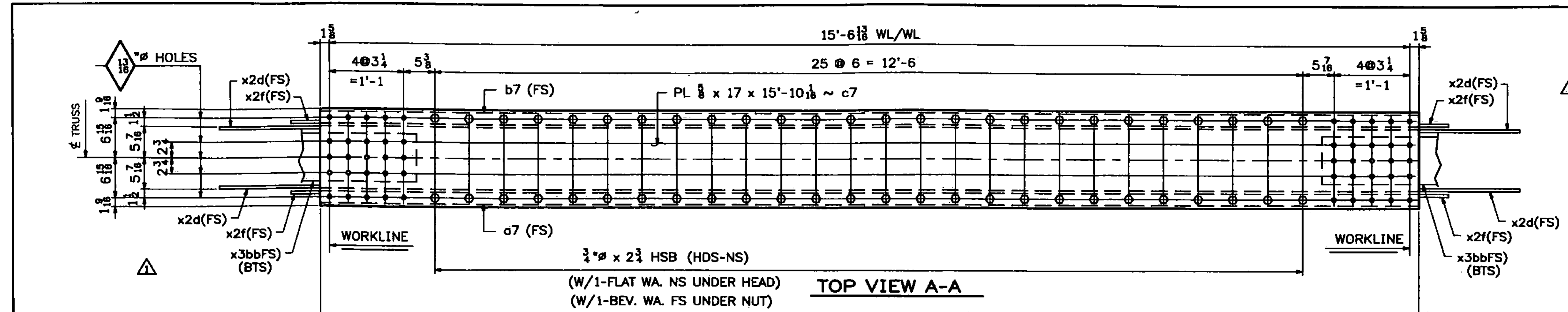


144 STRUCTURAL STEEL



ABM INFO		BILL OF MATERIAL				JOB NO.	DRAWING NO.	REV.	
PAGE	LINE	MARK	QTY	MARK	MATERIAL	LENGTH	REMARKS	WT	PROCUREMENT NOTES
						FT			
		7TC2W	1		TOP CHORD		ALIKE EXCEPT	1882	
		7TC2E	1		TOP CHORD		FOR MARK	1882	
2	C		2	a7	C 10x20	15 10 1/8	(GALVANIZED) M270-50T2		
2	C		2	b7	C 10x20	15 10 1/8	(GALVANIZED) M270-50T2		
2	E		2	c7	PL 1/2 x 17	15 10 1/8	(GALVANIZED) M270-50T2		
2	K		8	x2d	PL 3/8 x 25	3 0 1/2	(GALVANIZED) M270-50T2		
2	L		8	x2f	PL 3/8 x 8	0 10	(GALVANIZED) M270-50T2		
2	M		4	x2g	PL 3/8 x 17	1 6	(GALVANIZED) M270-50T2		
2	P		40	x2h	PL 3/8 x 2 1/2	1 8 1/2	(GALVANIZED) M270-50T2		
6	R		4	x3bb	PL 3/8 x 9	2 8 1/2	(GALVANIZED) M270-50T2		
10	D		40		1 # HSB	0 2 1/2	(GALVANIZED) A325-1		
10	F		148		1 # HSB	0 2 1/2	(GALVANIZED) A325-1		
10	P		188		1 # HSW		(GALVANIZED) F438		
10	Q		188		BEVEL WASH FOR 3/8 HSB		(GALVANIZED) F438		

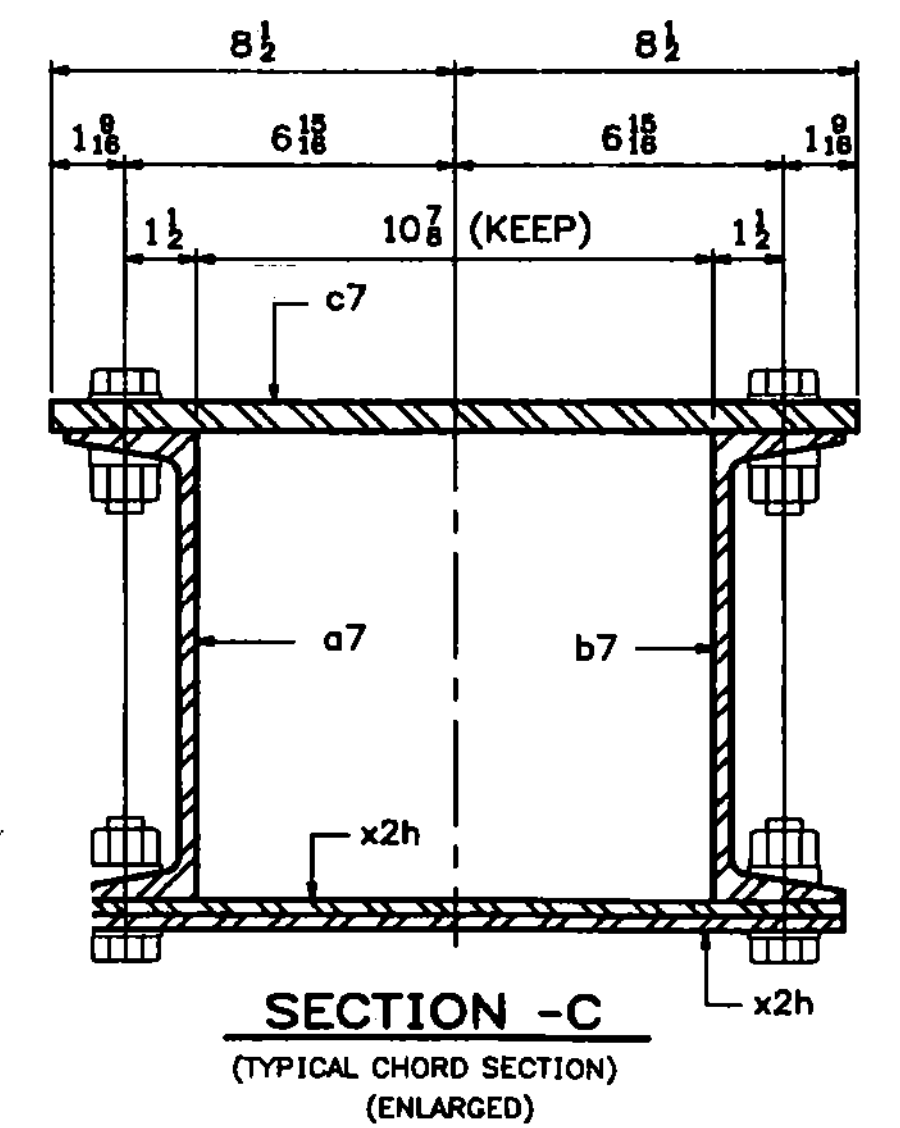
T2 - DENOTES MATERIAL SUBJECT TO CHARPY V-NOTCH TESTING

Vermont Agency of Transportation  
**RECEIVED**

CK'D BY TCF OK'D BY SSS

7:43 am, Apr 12, 2011

RESUBMIT BY KMH APPROVED X DATE 4-12-11



**SHOP NOTE:**  
ALL STEEL FOR TOP CHORD ASSEMBLIES SHALL BE GALVANIZED

- NOTES:**
- FOR GENERAL NOTES SEE DWG. GN1.
  - FOR STANDARD DETAILS SEE DWG. X2.
  - "NF" - DENOTES NEAR FACE OF ASSY.
  - "FF" - DENOTES FAR FACE OF ASSY.
  - "BF" - DENOTES BOTH FACES OF ASSEMBLY.
  - ALL BOLTS SHALL BE FULLY TORQUED (UN).
  - BTS - DENOTES BOLT TO SHIP OR SECURE FOR SHIPMENT.
  - HDS - DENOTES BOLT HEADS.

REV.	DATE	REMARKS	DWN	CHK	APVL	SHOP
03/23/11		REVISED AS NOTED	JM	PWR		
03/02/11		REVISED AS PER APPROVAL COMMENTS	JM	PWR		

MATERIAL:	M270-50 (U.N.)	SURFACE PREP. & PAINT:	SEE DWG GN1	HOLES:	1/8" (U.N.)	SHOP BOLTS:	AS NOTED
DESCRIPTION:	TOP CHORD 7TC2W & 7TC2E						
<b>CASCO BAY STEEL STRUCTURES, INC.</b>							
75 SPRING HILL ROAD PHONE (207) 282-7360				SACO, MAINE 04072 FAX. (207) 282-1179			
STRUCTURE:	Vermont Route 100A Bridge No. 14 Bridgewater County of Windsor			DRAWN:	RB	DATE:	9/29/10
LOCATION:	BRIDGEWATER, VERMONT			CHKD:	WJL	DATE:	10/18/10
PROJ. NO.	BRS 0149(4)			JOB NO.	454		
CUSTOMER:	VT AOT			DWG. NO.	7		
				REV.	7		