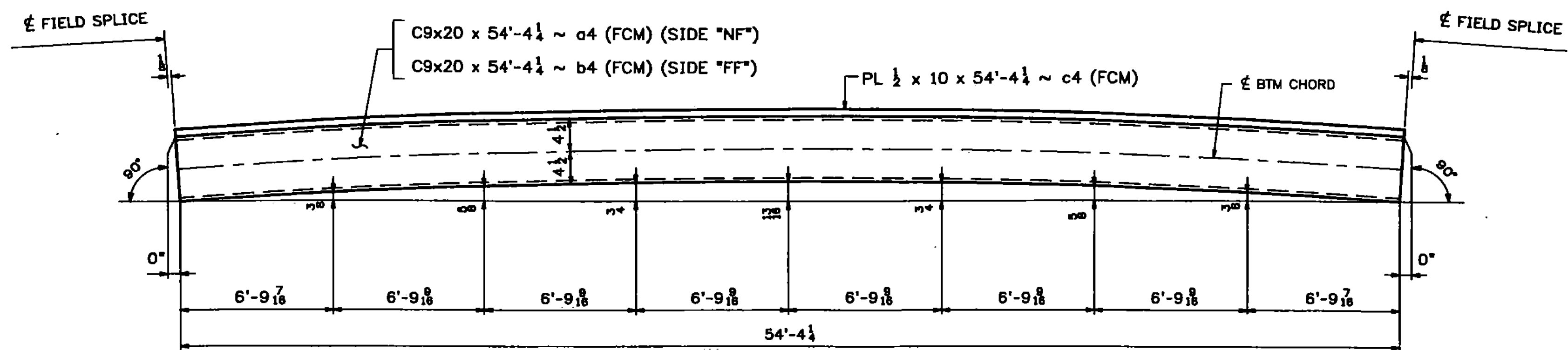
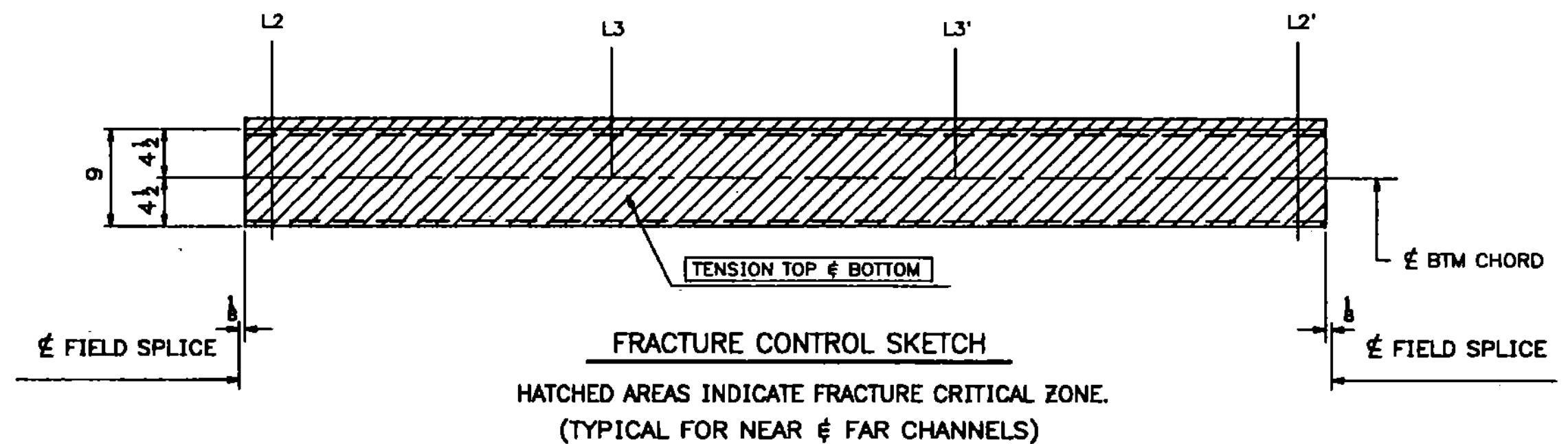


139 STRUCTURAL STEEL



CAMBER DIAGRAM FOR 3BC2W



FRACTURE CONTROL SKETCH  
HATCHED AREAS INDICATE FRACTURE CRITICAL ZONE.  
(TYPICAL FOR NEAR & FAR CHANNELS)

PAGE	LINE	MARK	QTY	MARK	MATERIAL	LENGTH		REMARKS	WT	PROCUREMENT NOTES
						FT	INCHES			
		4BC2E	1		BOTTOM CHORD					4B42
1	C		1	c4	C 9x20	54	4 1/8	(GALVANIZED) M270-50F2 (FCM)		
1	C		1	b4	C 9x20	54	4 1/8	(GALVANIZED) M270-50F2 (FCM)		
1	E		1	c4	PL 1/2 x 10	54	4 1/8	(GALVANIZED) M270-50F2 (FCM)		
1	M		4	x1g	PL 1/2 x 29	2	9 1/8	(GALVANIZED) M270-50T2		
1	N		4	x1h	PL 1/2 x 29	3	2 1/8	(GALVANIZED) M270-50T2		
1	Q		4	x1n	PL 1/8 x 20 1/2	2	5 1/2	(GALVANIZED) M270-50T2		
1	R		12	x1p	PL 1/8 x 9	0	10	(GALVANIZED) M270-50T2		
10	D		120		1 # HSB	0	2 1/2	(GALVANIZED) A325-1		
10	E		206		1 # HSB	0	2 1/2	(GALVANIZED) A325-1		
10	P		326		1 # HSW			(GALVANIZED) F436		
10	Q		326		BEVEL WASH FOR 3/8 HSB			(GALVANIZED) F436		

F2 DENOTES FRACTURE CRITICAL MATERIAL  
T2 DENOTES MATERIAL SUBJECT TO CHARPY V-NOTCH TESTING

Vermont Agency of Transportation  
**RECEIVED**  
CK'D BY TCF OK'D BY SSS  
7:43 am, Apr 12, 2011  
RESUBMIT APPROVED X  
BY KMH DATE 4-12-11

0	03/01/11	REVISED AS PER APPROVAL COMMENTS	JM	PWR		
REV.	DATE	REMARKS	DWN	CHK	APVL	SHOP
MATERIAL:		SURFACE PREP & PAINT:	HOLES:		SHOP BOLTS:	
M270-50 (U.N.)		SEE DWG GN1	1/8" Ø (U.N.)		AS NOTED	
DESCRIPTION: BOTTOM CHORD 4BC2E						
<b>CASCO BAY STEEL STRUCTURES, INC.</b>						
75 SPRING HILL ROAD			SACO, MAINE 04072		TENSOR 3015	
PHONE (207) 282-7360			FAX. (207) 282-1179			
STRUCTURE: Vermont Route 100A			DRAWN: RB		DATE: 9/27/10	
Bridge No. 14			CHKD: WJL		DATE: 10/18/10	
Bridgewater						
County of Windsor						
LOCATION: BRIDGEWATER, VERMONT			JOB NO. 454		DWG NO. 4C	
PROJ NO. BRS 0149(4)					REV. 1	
CUSTOMER: VT AOT						

WORK THIS DWG. WITH DWG. 4AC & 4BC.