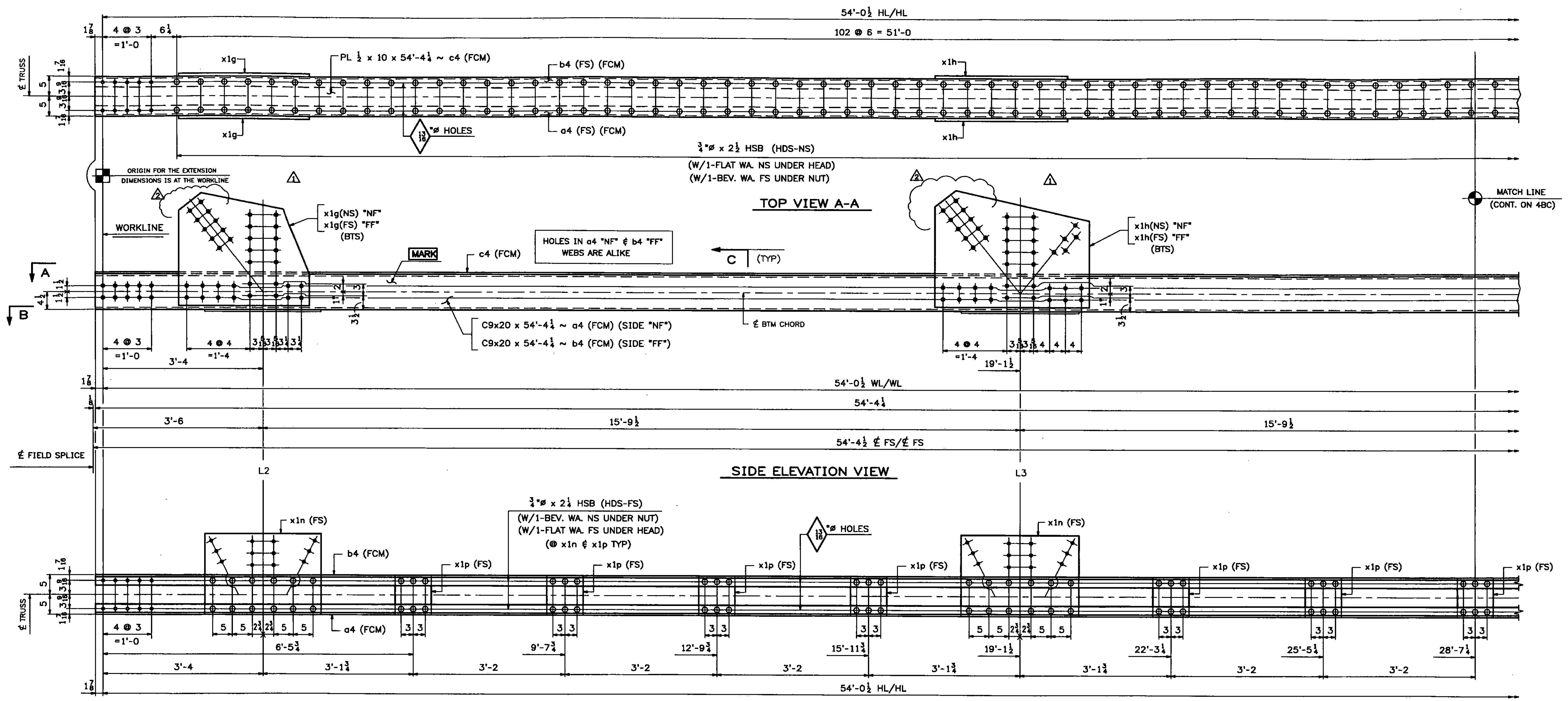
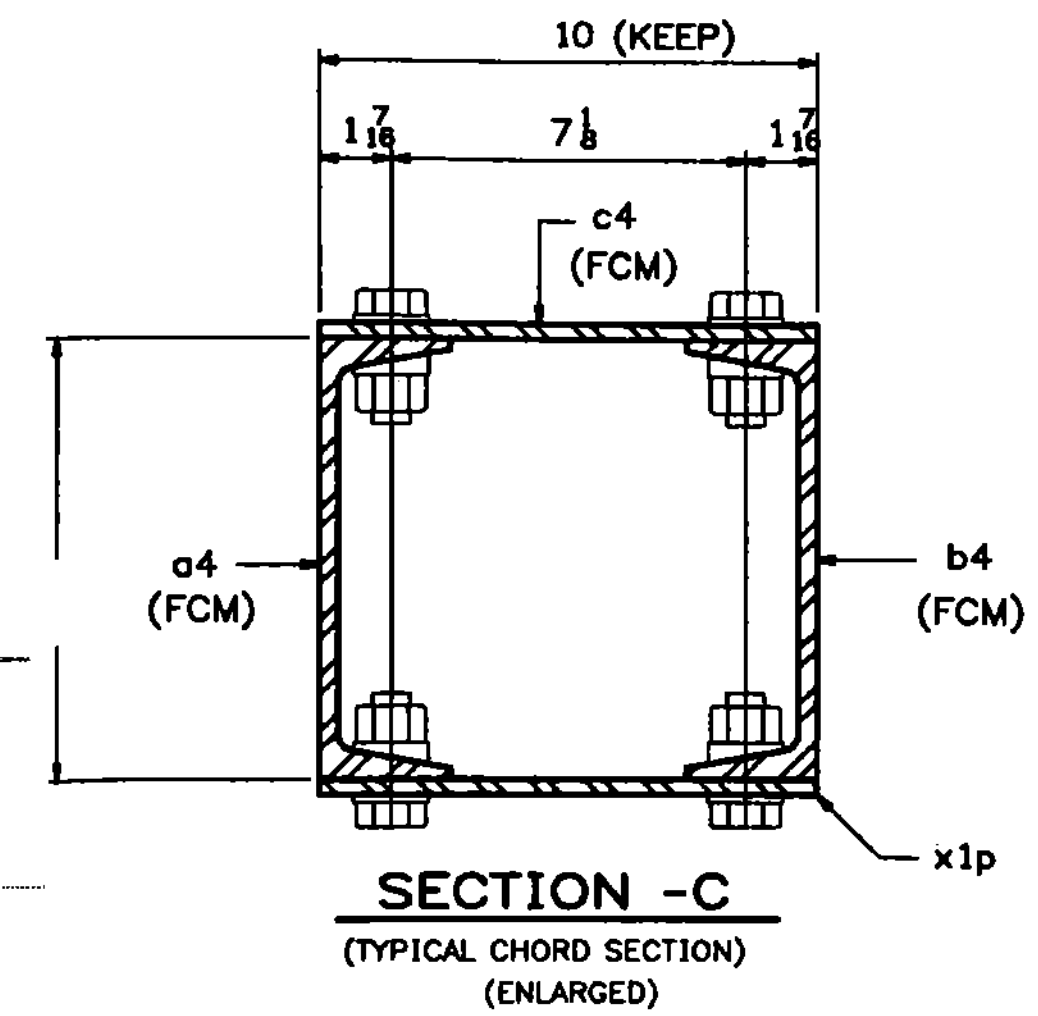


137 STRUCTURAL STEEL



Vermont Agency of Transportation  
**RECEIVED**  
 CK'D BY TCF OK'D BY SSS  
 7:43 am, Apr 12, 2011  
 RESUBMIT APPROVED X  
 BY KMH DATE 4-12-11



**BOTTOM SECTION B-B**  
 ONE - BOTTOM CHORD - 4BC2E  
 (L2-L2' EAST)

**SHOP NOTE:**  
 ALL STEEL FOR BOTTOM CHORD ASSEMBLY SHALL BE GALVANIZED

- NOTES:**
1. FOR GENERAL NOTES SEE DWG. GN1.
  2. FOR STANDARD DETAILS SEE DWG. X1.
  3. "NF" - DENOTES NEAR FACE OF ASS'Y.
  4. "FF" - DENOTES FAR FACE OF ASS'Y.
  5. "BF" - DENOTES BOTH FACES OF ASSEMBLY.
  6. FCM - DENOTES FRACTURE CRITICAL MATERIAL.
  7. ALL BOLTS SHALL BE FULLY TORQUED (UN).
  8. BTS - DENOTES BOLT TO SHIP OR SECURE FOR SHIPMENT.
  9. HDS - DENOTES BOLT HEADS.

WORK THIS DWG. WITH DWG. 4BC & 4C.

| 03/23/11                                | REVISED AS PER APPROVAL COMMENTS | JM                     | PWR         |             |             |      |
|---|----------------------------------|------------------------|-------------|-------------|-------------|------|
| 03/01/11                                | REVISED AS PER APPROVAL COMMENTS | JM                     | PWR         |             |             |      |
| 0                                       |                                  |                        |             |             |             |      |
| REV.                                    | DATE                             | REMARKS                | DWN         | CHK         | APVL        | SHOP |
| MATERIAL:                               |                                  | SURFACE PREP. & PAINT: | HOLES:      |             | SHOP BOLTS: |      |
| M270-50 (U.N.)                          |                                  | SEE DWG GN1            | 1/8" (U.N.) |             | AS NOTED    |      |
| DESCRIPTION:                            |                                  | BOTTOM CHORD 4BC2E     |             |             |             |      |
| <b>CASCO BAY STEEL STRUCTURES, INC.</b> |                                  |                        |             |             |             |      |
| 75 SPRING HILL ROAD                     |                                  | SACO, MAINE 04072      |             | TENSOR 3013 |             |      |
| PHONE (207) 282-7360                    |                                  | FAX. (207) 282-1179    |             |             |             |      |
| STRUCTURE:                              | Vermont Route 100A               | DRAWN:                 | RB          | DATE:       | 9/27/10     |      |
|   | Bridge No. 14                    |                        |             | CHKD:       | DATE:       |      |
|   | Bridgewater                      |                        |             | WJL         | 10/18/10    |      |
|   | County of Windsor                |                        |             |             |             |      |
| LOCATION:                               | BRIDGEWATER, VERMONT             | JOB NO.                | 454         | DWG NO.     | 4AC         |      |
| PROJ NO.                                | BRS 0149(4)                      |                        |             | REV.        |             |      |
| CUSTOMER:                               | VT AOT                           |                        |             |             |             |      |