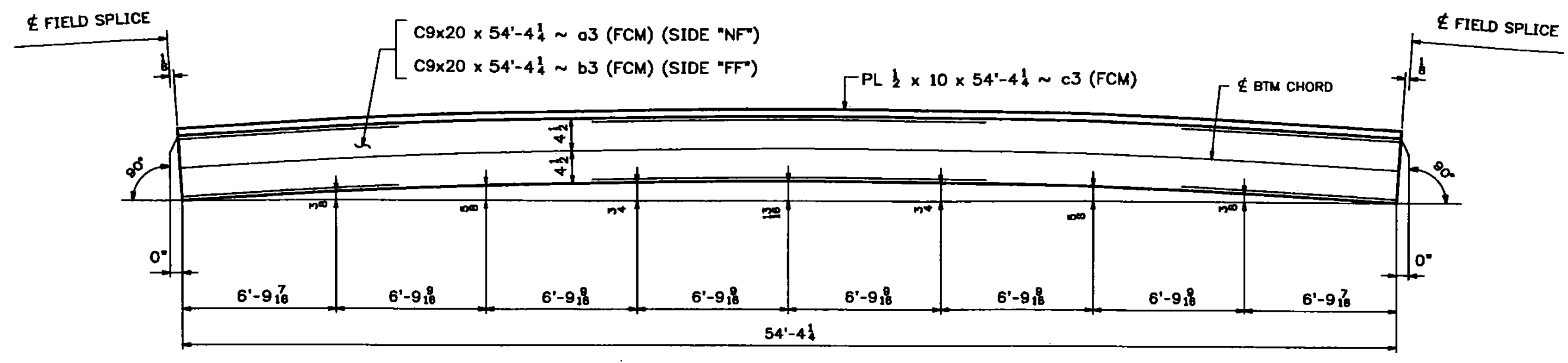
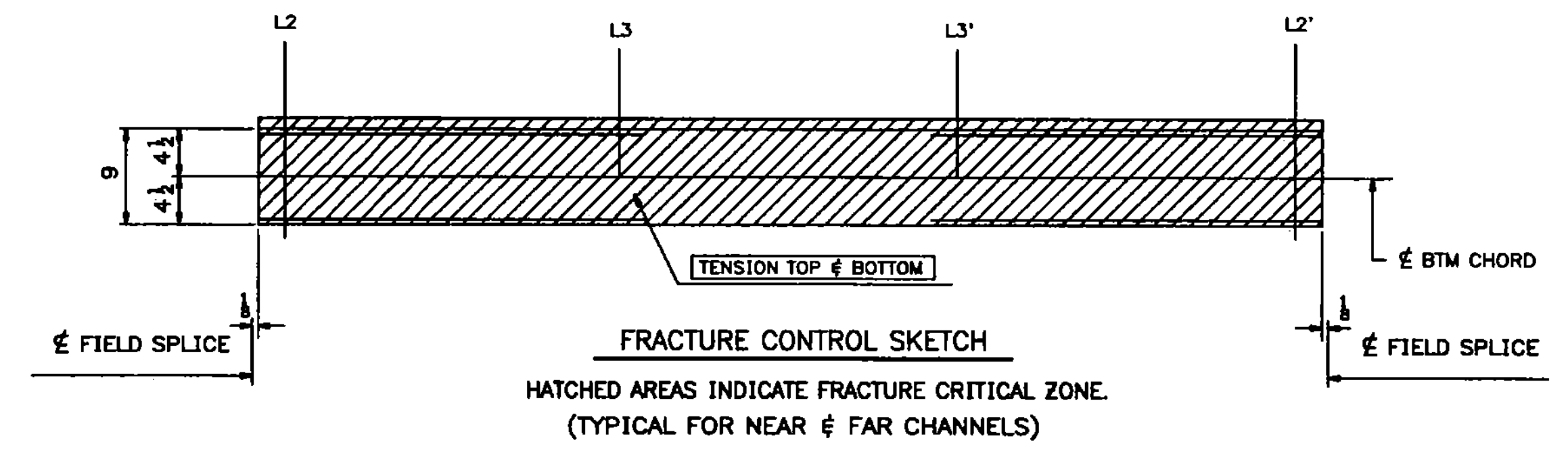


136 STRUCTURAL STEEL



CAMBER DIAGRAM FOR 3BC2W



ASB INFO		SHIP		BILL OF MATERIAL				JOB NO.	DRAWING NO.	REV.
		3BC2W						454	3C	
PAGE	LINE	MARK	QTY	MARK	MATERIAL	LENGTH		REMARKS	WT	PROCUREMENT NOTES
						FT	INCHES			
			1		BOTTOM CHORD				4842	
1	C		1	c3	C 9x20	54	4 1/4	(GALVANIZED) M270-50F2 (FCM)		
1	C		1	b3	C 9x20	54	4 1/4	(GALVANIZED) M270-50F2 (FCM)		
1	E		1	c3	PL 1/2 x 10	54	4 1/4	(GALVANIZED) M270-50F2 (FCM)		
1	M		4	x1g	PL 1/2 x 29	2	9 1/2	(GALVANIZED) M270-50T2		
1	N		4	x1h	PL 1/2 x 29	3	2 1/2	(GALVANIZED) M270-50T2		
1	Q		4	x1n	PL 1/2 x 20 1/2	2	5 1/2	(GALVANIZED) M270-50T2		
1	R		12	x1p	PL 1/2 x 9	0	10	(GALVANIZED) M270-50T2		
10	D		120		1 # HSB	0	2 1/2	(GALVANIZED) A325-1		
10	E		206		1 # HSB	0	2 1/2	(GALVANIZED) A325-1		
10	P		326		1 # HSW			(GALVANIZED) F436		
10	Q		326		BEVEL WASH FOR 3/8" HSB			(GALVANIZED) F436		

F2 DENOTES FRACTURE CRITICAL MATERIAL
T2 DENOTES MATERIAL SUBJECT TO CHARTY V-NOTCH TESTING

Vermont Agency of Transportation
RECEIVED
 CK'D BY TCF OK'D BY SSS
 7:43 am, Apr 12, 2011
 RESUBMIT APPROVED X
 BY KMH DATE 4-12-11

WORK THIS DWG. WITH DWG. 3AC & 3BC.

02/28/11	REVISED AS PER APPROVAL COMMENTS	JM	PWR			
REV.	DATE	REMARKS	DWN	CHK	APVL	SHOP
MATERIAL:		SURFACE PREP. & PAINT:		HOLES:		SHOP BOLTS:
M270-50 (U.N.)		SEE DWG GN1		1/8" (U.N.)		AS NOTED
DESCRIPTION: BOTTOM CHORD 3BC2W						
CASCO BAY STEEL STRUCTURES, INC.						
75 SPRING HILL ROAD SACO, MAINE 04072						
PHONE (207) 282-7360 FAX. (207) 282-1179						
STRUCTURE: Vermont Route 100A Bridge No. 14 Bridgewater County of Windsor				DRAWN:	DATE:	
				RB	9/27/10	
				CHKD:	DATE:	
				WJL	10/18/10	
LOCATION: BRIDGEWATER, VERMONT				JOB NO.	DWG NO.	
PROJ NO. BRS 0149(4)				454	3C	
CUSTOMER: VT AOT					REV.	△