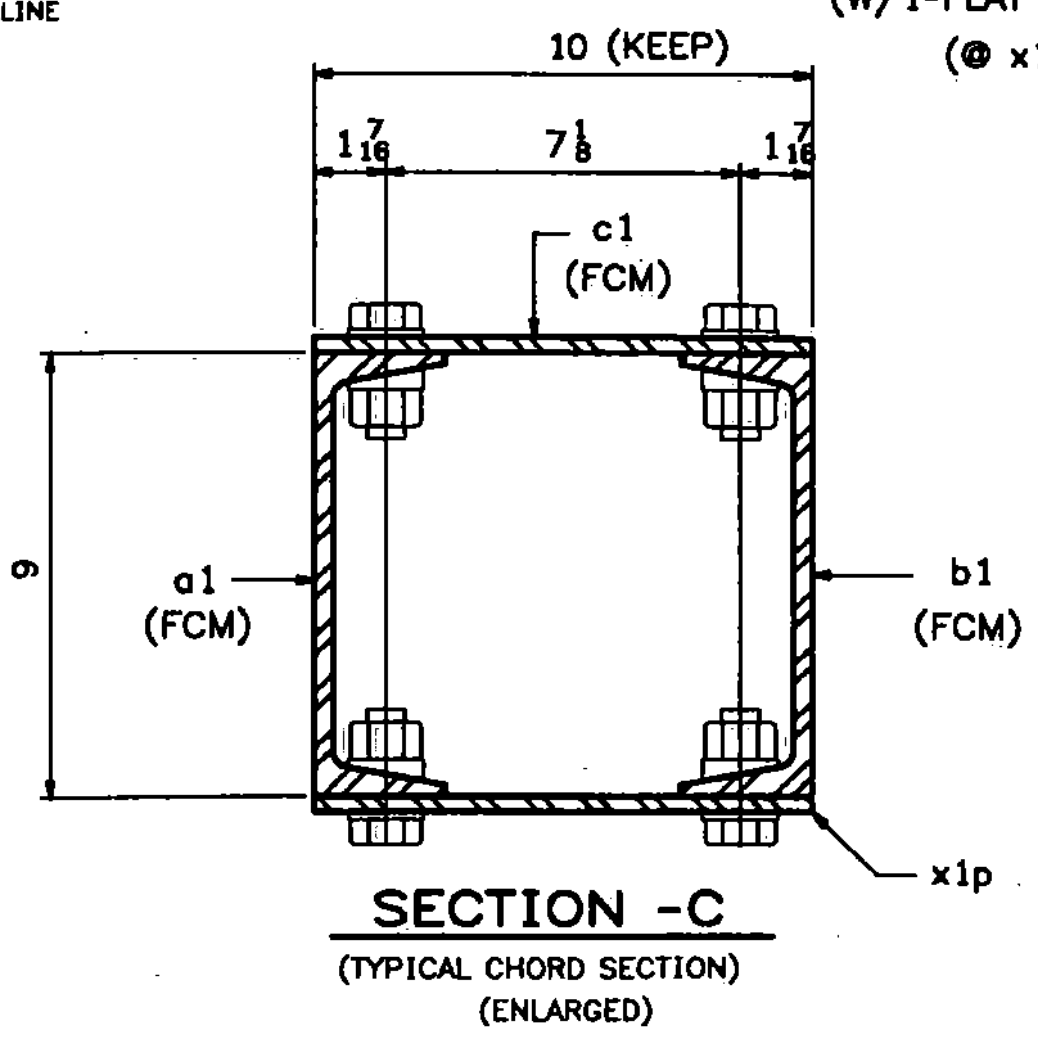
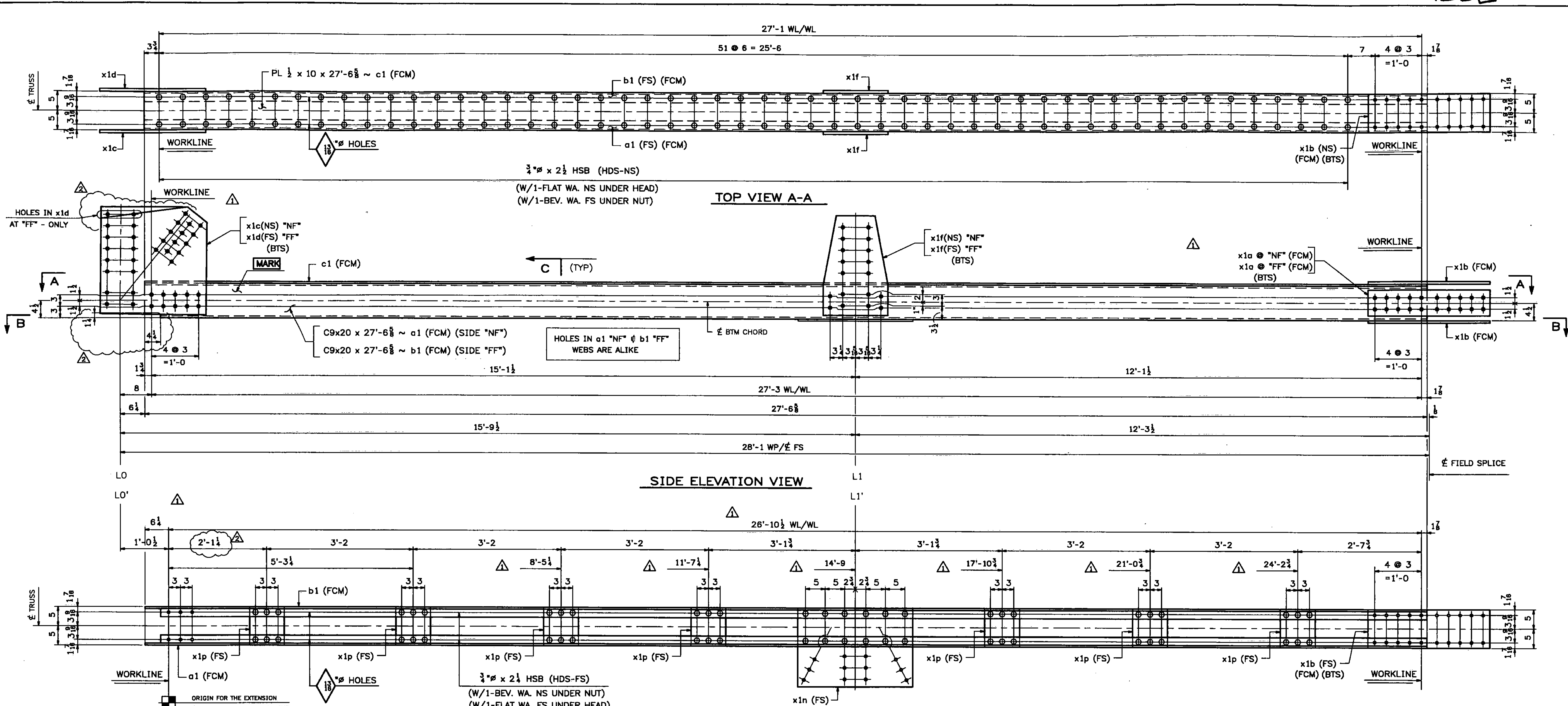


130 STRUCTURAL  
STEEL



**BOTTOM SECTION B-B**

ONE - BOTTOM CHORD - 1BC1W  
(L0'-L2 WEST)

ONE - BOTTOM CHORD - 1BC3E  
(L0'-L2 EAST)

ALIKE EXCEPT FOR MARK

- NOTES:**
1. FOR GENERAL NOTES SEE DWG. GN1.
  2. FOR STANDARD DETAILS SEE DWG. X1.
  3. "NF" - DENOTES NEAR FACE OF ASS'Y.
  4. "FF" - DENOTES FAR FACE OF ASS'Y.
  5. "BF" - DENOTES BOTH FACES OF ASSEMBLY.
  6. FCM - DENOTES FRACTURE CRITICAL MATERIAL.
  7. ALL BOLTS SHALL BE FULLY TORQUED (UN).
  8. BTS - DENOTES BOLT TO SHIP OR SECURE FOR SHIPMENT.
  9. HDS - DENOTES BOLT HEADS.

**SHOP NOTE:**

ALL STEEL FOR BOTTOM CHORD ASSEMBLIES SHALL BE GALVANIZED

Vermont Agency of Transportation

**RECEIVED**

CK'D BY TCF OK'D BY SSS

7:43 am, Apr 12, 2011

RESUBMIT APPROVED X

BY KMH DATE 4-12-11

WG. 1B.

03/23/11	REVISED AS PER APPROVAL COMMENTS	JM	PWR		
02/28/11	REVISED AS PER APPROVAL COMMENTS	JM	PWR		
0					
REV. DATE	REMARKS	DWN	CHK	APVL	SHOP
MATERIAL:	SURFACE PREP. & PAINT:	HOLES:		SHOP BOLTS:	
M270-50 (U.N.)	SEE DWG GN1	1/8" (U.N.)		AS NOTED	
DESCRIPTION: BOTTOM CHORD 1BC1W & 1BC3E					
<b>CASCO BAY STEEL STRUCTURES, INC.</b>					
75 SPRING HILL ROAD			SACO, MAINE 04072		
PHONE (207) 282-7360			FAX. (207) 282-1179		
STRUCTURE:	Vermont Route 100A	DRAWN:	DATE:		
	Bridge No. 14	RB	9/21/10		
	Bridgewater	CHKD:	DATE:		
	County of Windsor	WJL	10/15/10		
LOCATION:	BRIDGEWATER, VERMONT	JOB NO.	DWG NO.		
PROJ NO.	BRS 0149(4)	454	1AB		
CUSTOMER:	VT AOT	REV.			