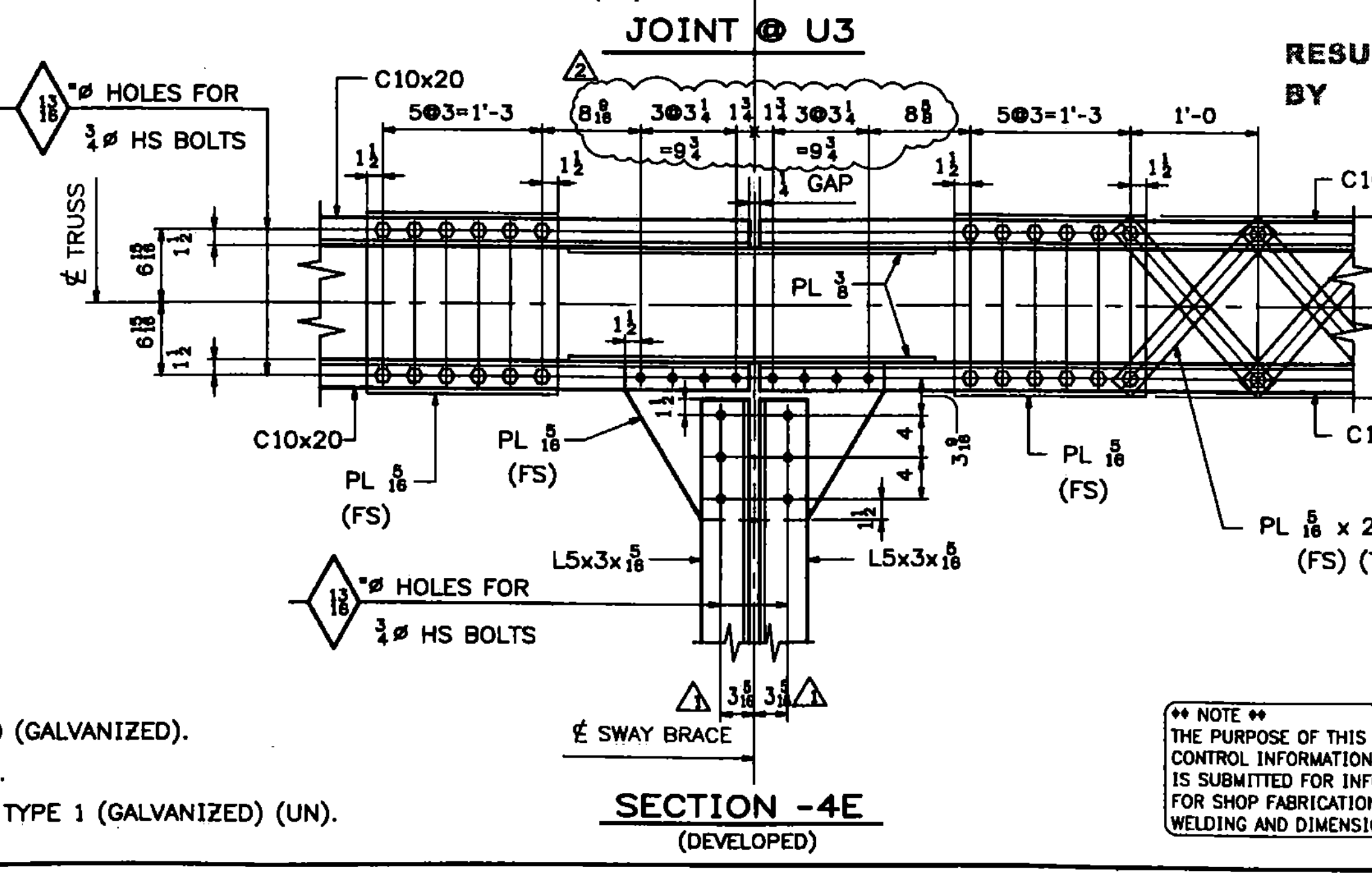
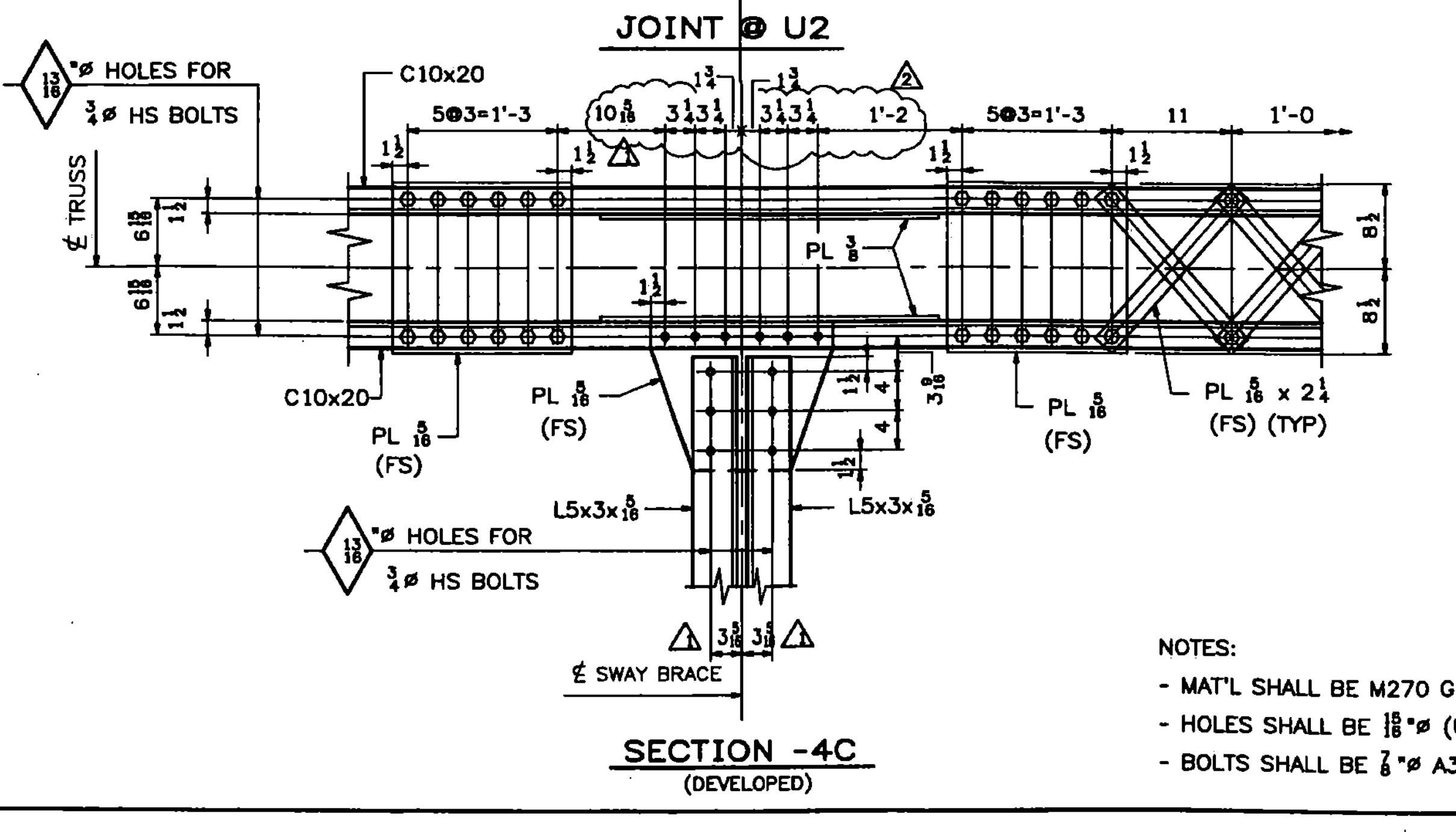


Vermont Agency of Transportation  
**RECEIVED**  
CK'D BY TCF OK'D BY SSS

7:43 am, Apr 12, 2011

RESUBMIT BY KMH APPROVED DATE 4-12-11



- NOTES:
- MAT'L SHALL BE M270 GR50 (GALVANIZED).
  - HOLES SHALL BE 1/8" (UN).
  - BOLTS SHALL BE 1/2" A325 TYPE 1 (GALVANIZED) (UN).

NOTE: THE PURPOSE OF THIS DRAWING IS TO COORDINATE GEOMETRIC CONTROL INFORMATION AND CONNECTION SPACING. THIS DWG IS SUBMITTED FOR INFORMATION ONLY & IS NOT INTENDED FOR SHOP FABRICATION. DETAIL DWGS WILL SHOW ALL WELDING AND DIMENSIONS REQ'D FOR FABRICATION.

REV.	DATE	REMARKS	DWN	CHK	APVL	SHOP
0	10/20	REVISED DIMENSIONS	RB	WJL		
1	02/28/11	REVISED AS PER APPROVAL COMMENTS	JM	PWR		

MATERIAL:	SURFACE PREP. & PAINT:	HOLES:	SHOP BOLTS:

DESCRIPTION: LAYOUTS @ U2 & U3

**CASCO BAY STEEL STRUCTURES, INC.**  
75 SPRING HILL ROAD SACO, MAINE 04072  
PHONE (207) 282-7360 FAX. (207) 282-1179

STRUCTURE: Vermont Route 100A Bridge No. 14 Bridgewater County of Windsor	DRAWN: RB DATE: 9/16/10
LOCATION: BRIDGEWATER, VERMONT	CHKD: WJL DATE: 10/12/10
PROJ NO. BRS 0149(4)	JOB NO. 454
CUSTOMER: VT AOT	DWG NO. TD4 REV. 1