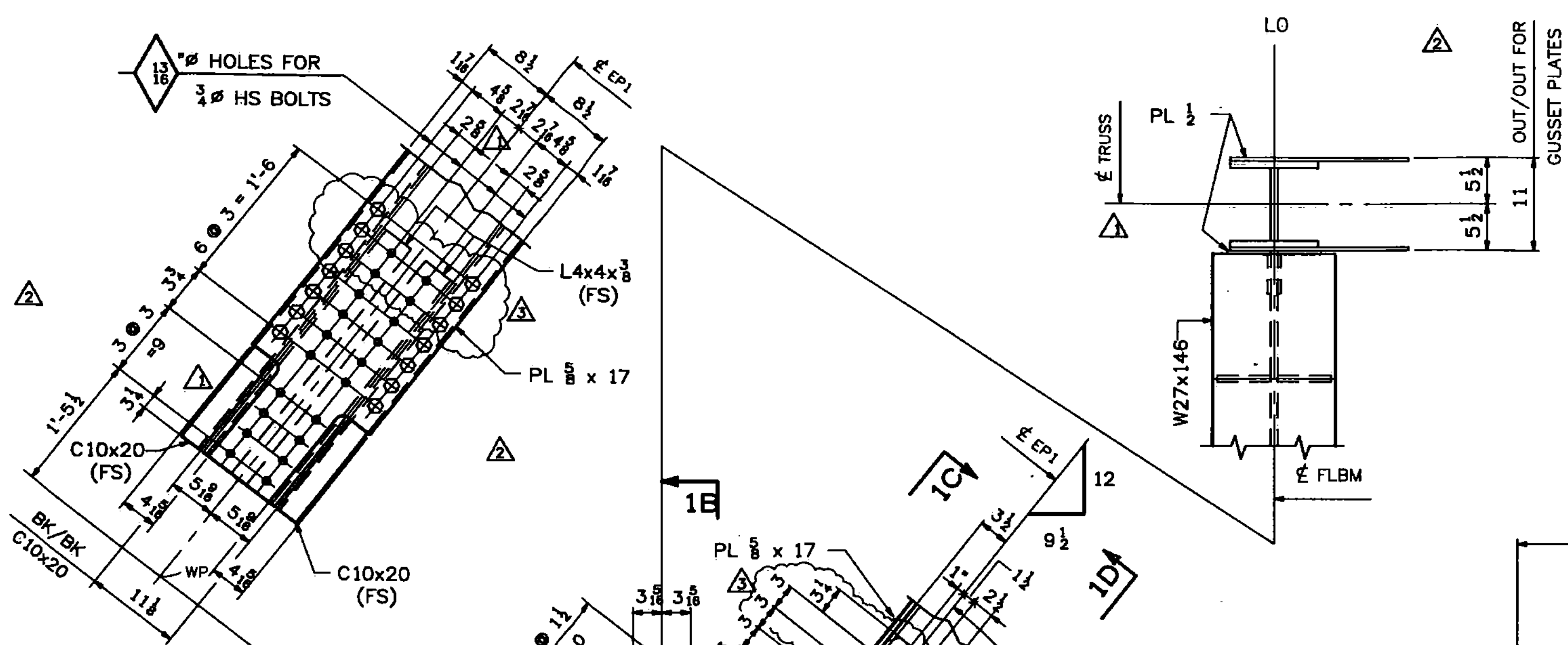
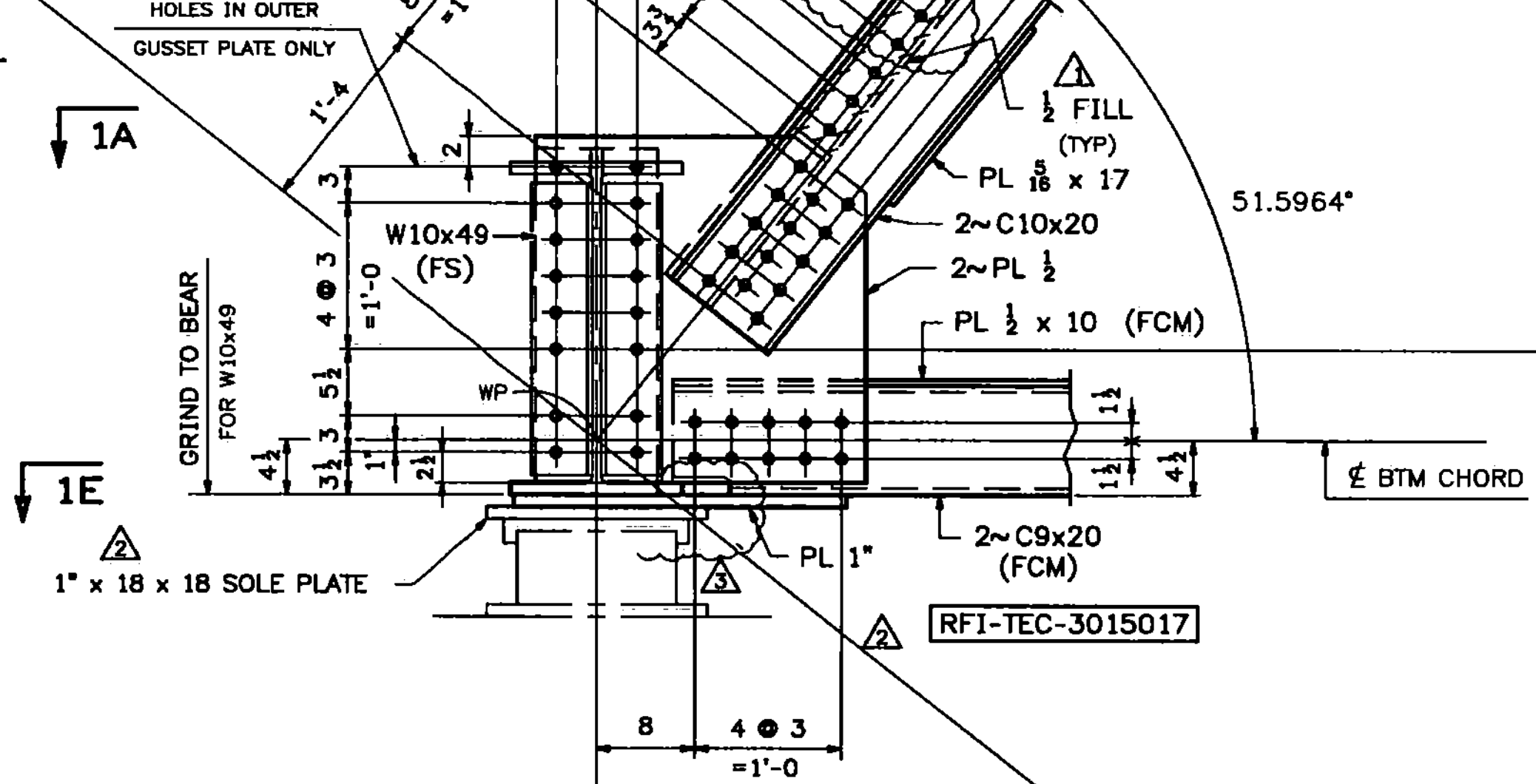


118 STRUCTURAL STEEL



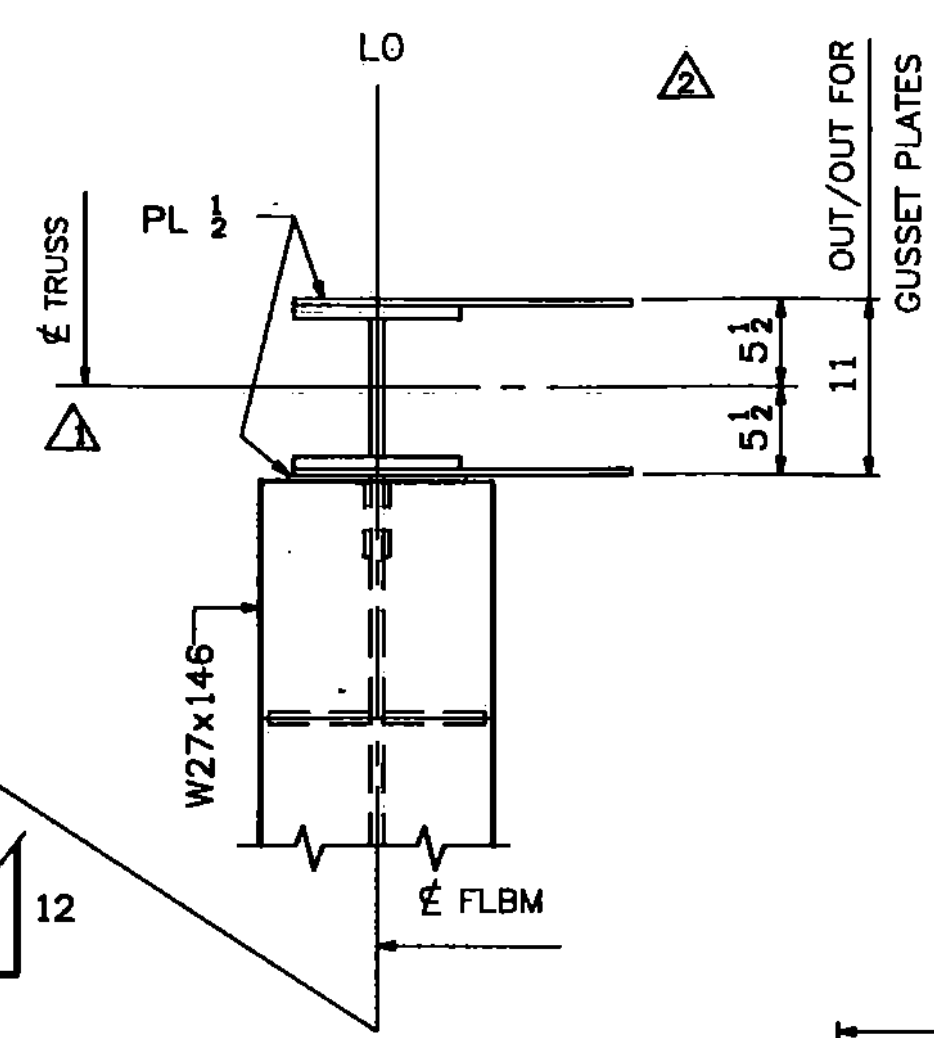
SECTION -1C

RFI-TEC-3015006
RFI-TEC-3015012

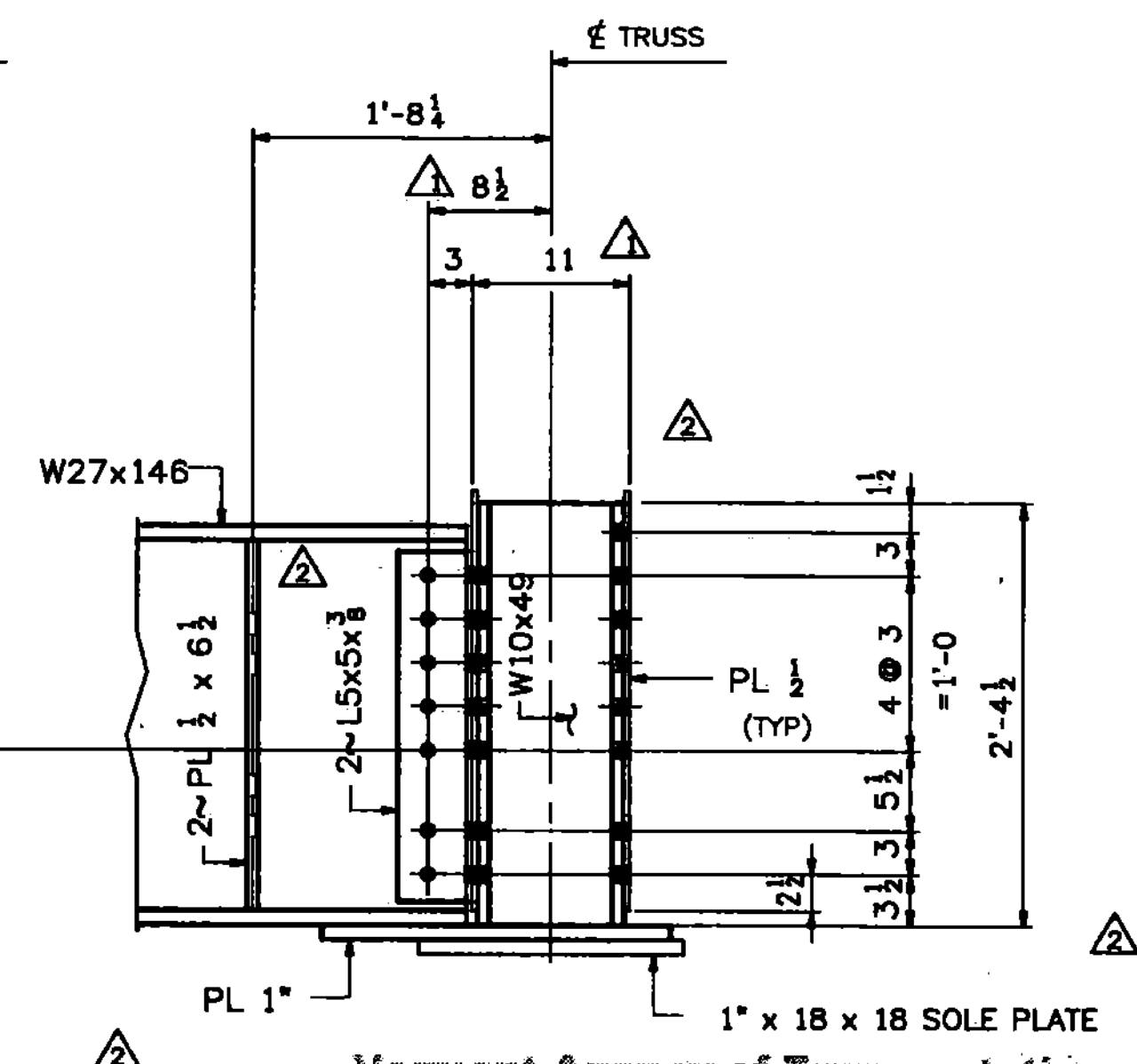


SECTION -1E
(DEVELOPED)

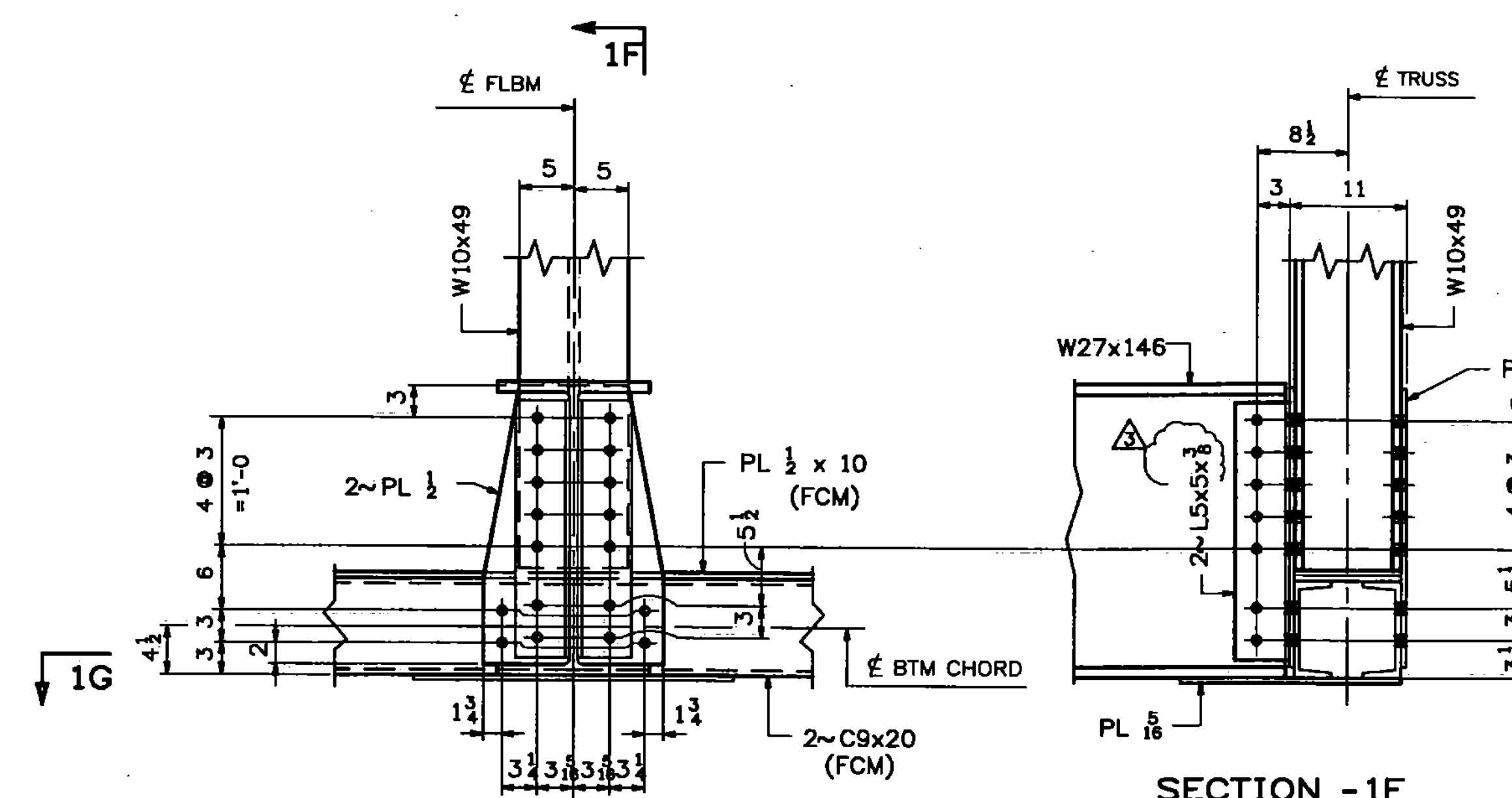
JOINT @ LO



SECTION -1D

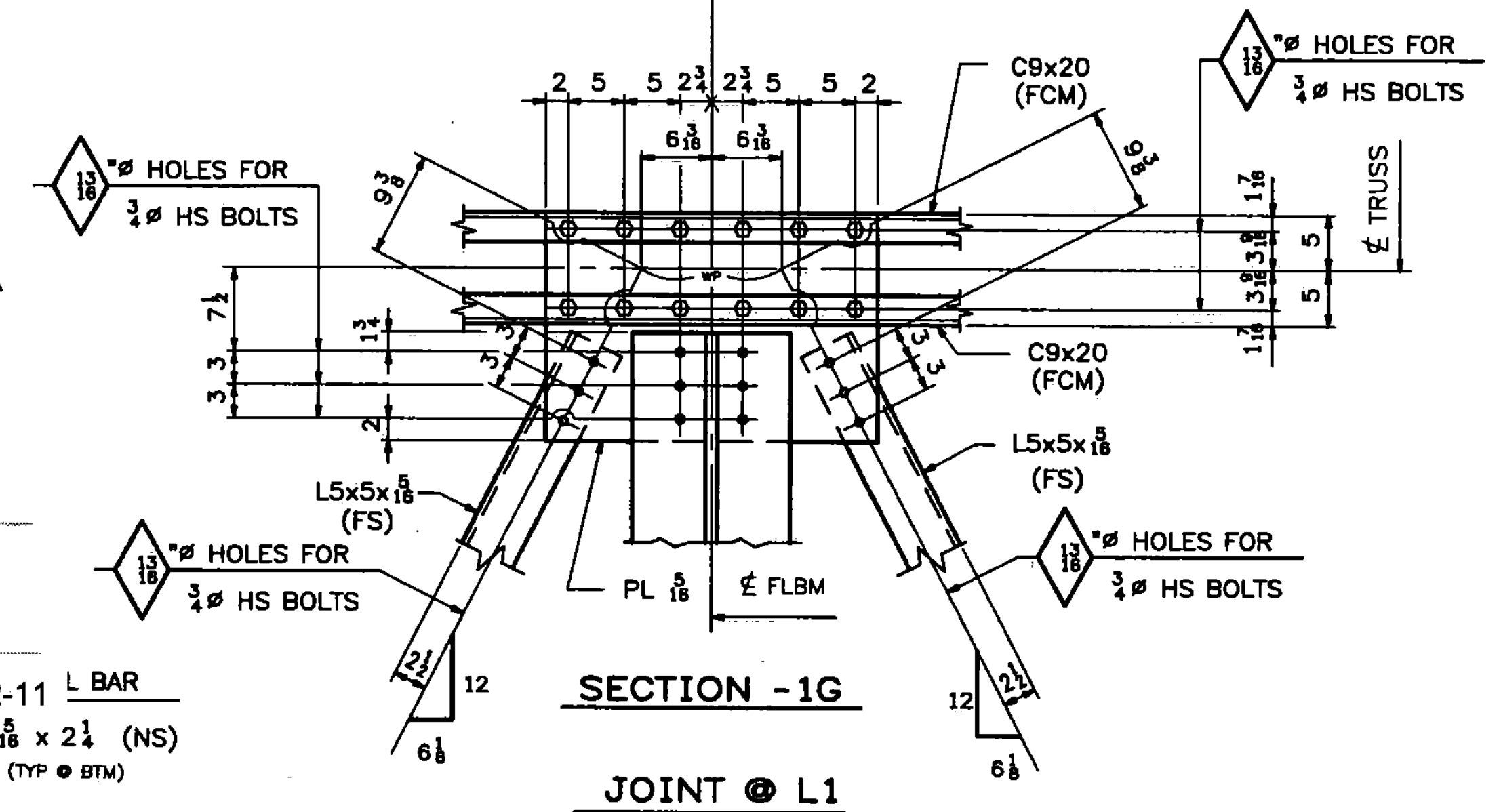


SECTION -1F



SECTION -1G

JOINT @ L1



Vermont Agency of Transportation
RECEIVED
CK'D BY TCF OK'D BY SSS
7:43 am, Apr 12, 2011
RESUBMIT APPROVED X
BY KMH DATE 4-12-11 L BAR
PL 1/2 x 2 1/2 (NS)
(TYP @ BTM)

- NOTES:
- MAT'L SHALL BE M270 GR50 (GALVANIZED).
 - HOLES SHALL BE 1/8" (UN).
 - BOLTS SHALL BE 3/4" A325 TYPE 1 (GALVANIZED) (UN).
 - FCM - DENOTES FRACTURE CRITICAL MATERIAL.

** NOTE **
THE PURPOSE OF THIS DRAWING IS TO COORDINATE GEOMETRIC CONTROL INFORMATION AND CONNECTION SPACING. THIS DWG IS SUBMITTED FOR INFORMATION ONLY & IS NOT INTENDED FOR SHOP FABRICATION. DETAIL DWGS WILL SHOW ALL WELDING AND DIMENSIONS REQ'D FOR FABRICATION.

03/23/11	REVISED AS PER APPROVAL COMMENTS	JM	PWR		
02/25/11	REVISED AS PER APPROVAL COMMENTS	JM	PWR		
10/20	REVISED DIMENSIONS	RB	WJL		
0					
REV. DATE	REMARKS	DWN	CHK	APVL	SHOP
MATERIAL:		SURFACE PREP. & PAINT:		HOLES:	
SHOP BOLTS:					
DESCRIPTION: LAYOUTS @ LO & L1					
CASCO BAY STEEL STRUCTURES, INC.					
75 SPRING HILL ROAD			SACO, MAINE 04072		
PHONE (207) 282-7360			FAX. (207) 282-1179		
STRUCTURE:	Vermont Route 100A	DRAWN:	RB	DATE:	9/8/10
	Bridge No. 14	CHKD:	WJL	DATE:	10/11/10
	Bridgewater				
	County of Windsor				
LOCATION:	BRIDGEWATER, VERMONT	JOB NO.	454	DWG NO.	TD1
PROJ NO.	BRS 0149(4)				
CUSTOMER:	VT AOT				