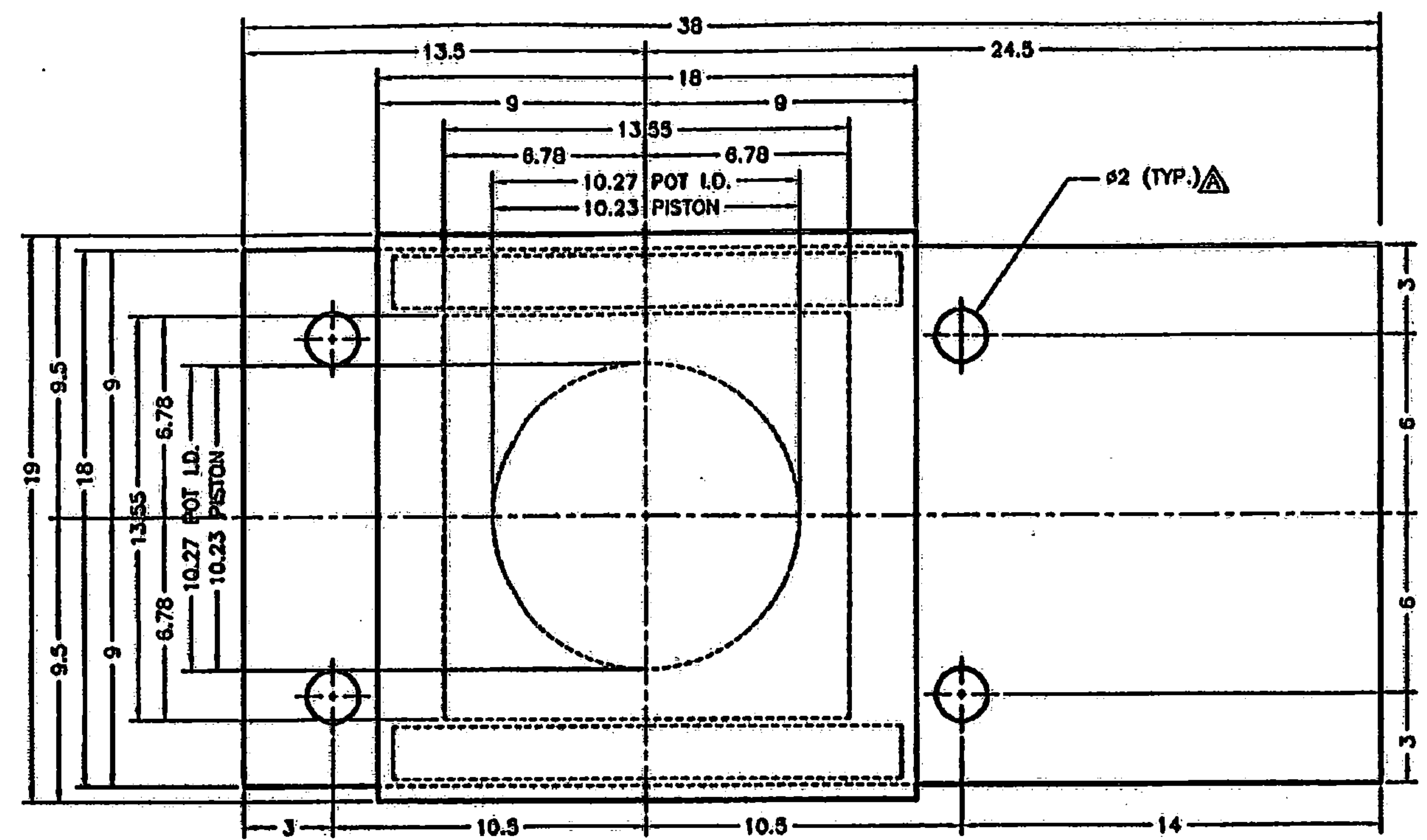
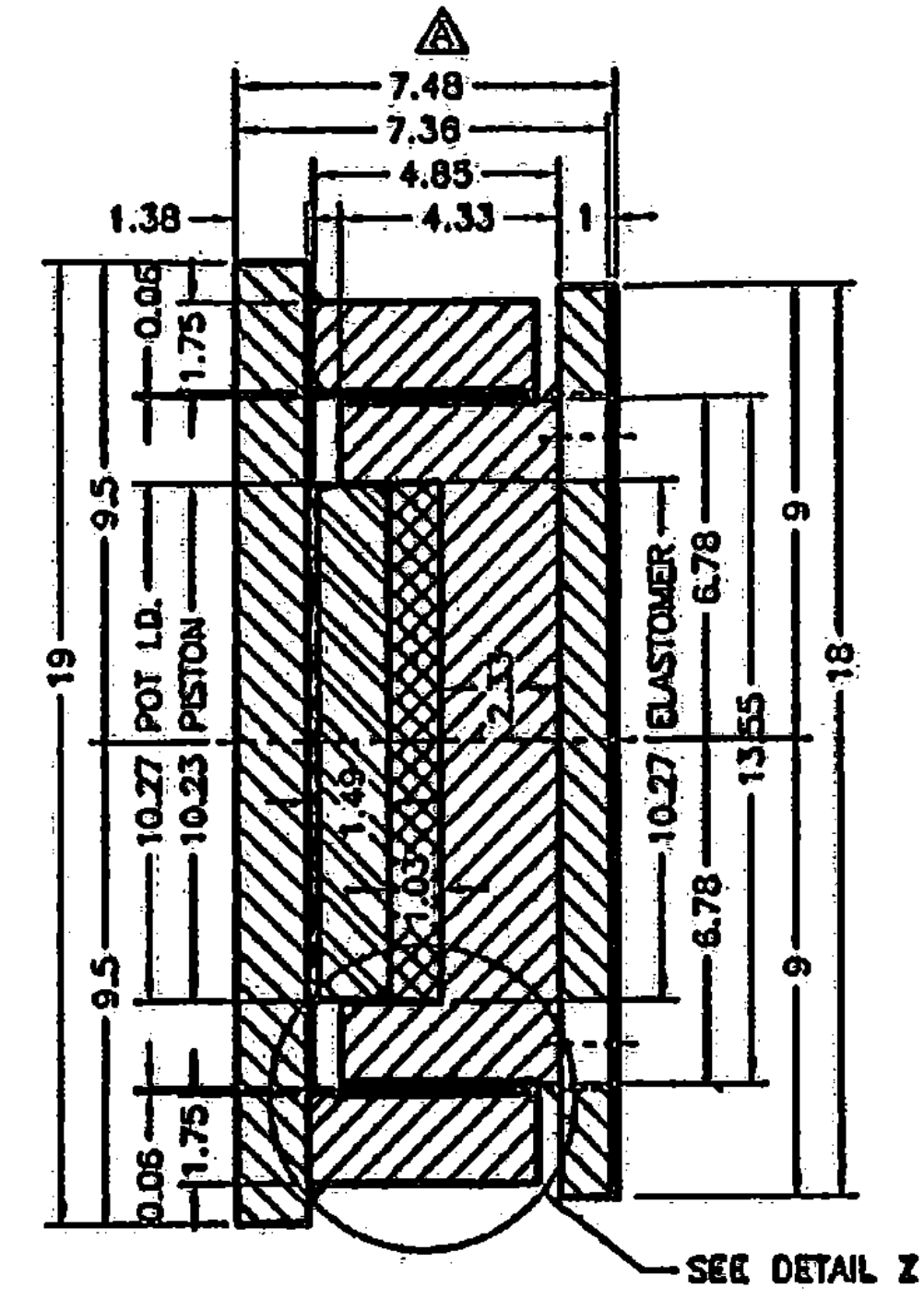


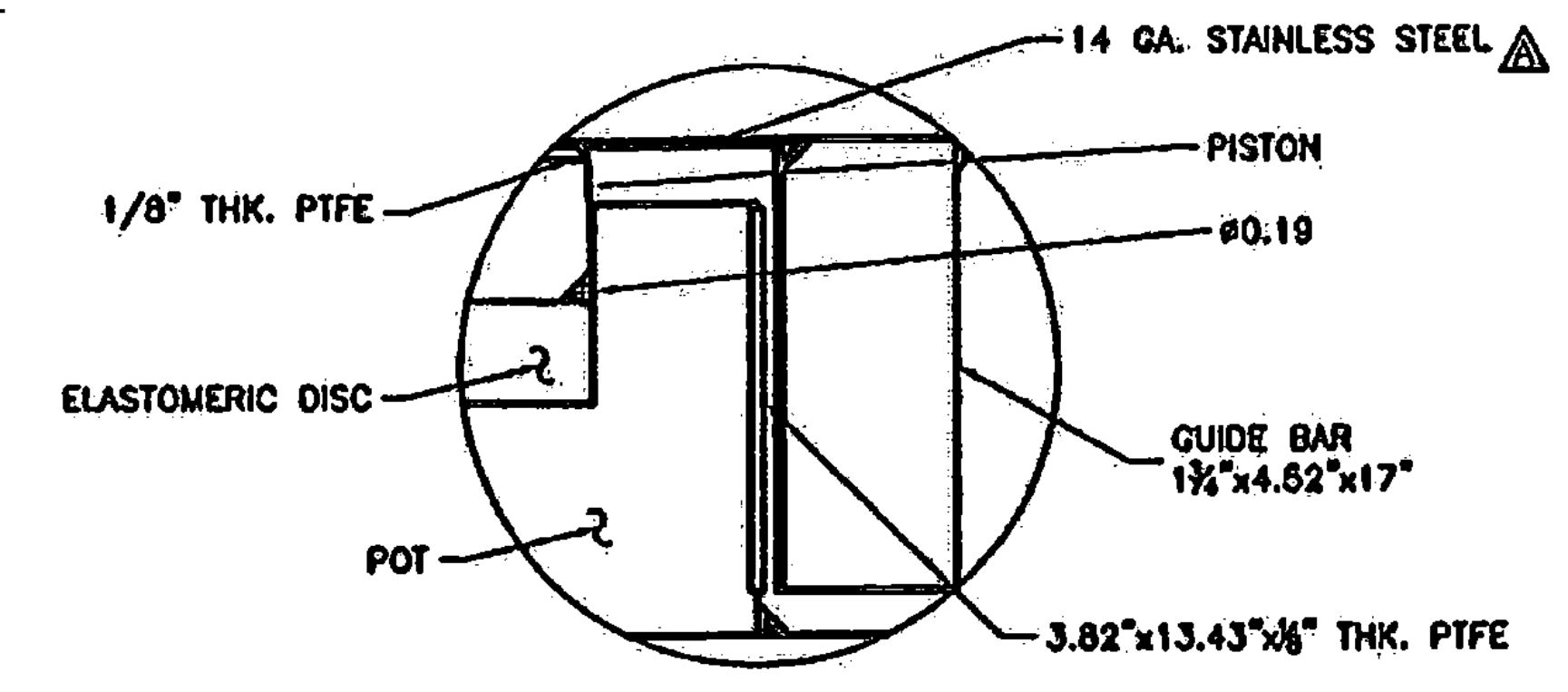
REVISIONS				
ZONE	REV	DESCRIPTION	DATE	APPROVED
--	A	PER ENGINEER'S MARK	10/18/10	C.A.M.



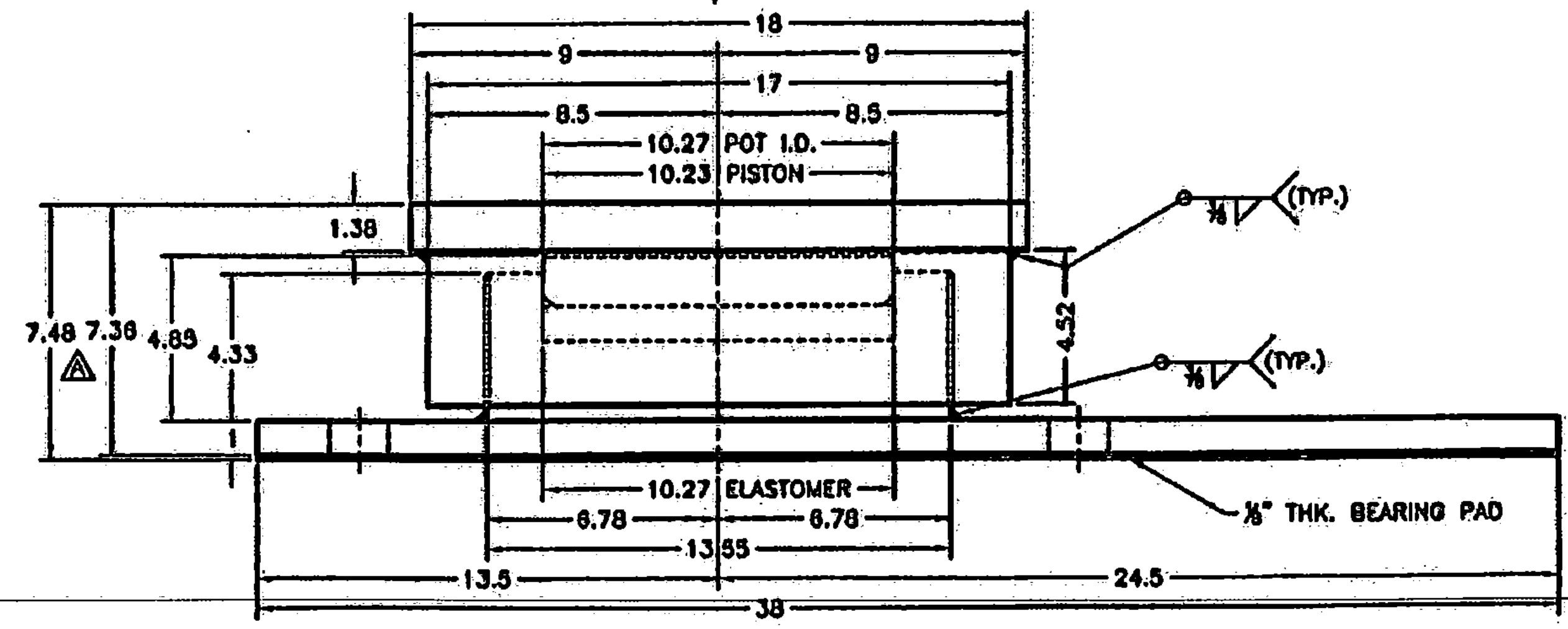
STATIONING
PLAN VIEW



SIDE VIEW



DETAIL Z



ELEVATION VIEW
GUIDED TYPE @ ABUTMENT 2
QTY. REQ'D = 1
ITEM NO. 531.12
VERTICAL CAPACITY = 435 KIPS
HORIZONTAL CAPACITY = 175 KIPS

Vermont Agency of Transportation
RECEIVED
CK'D BY TCF OK'D BY KMH
3:01 pm, Oct 28, 2010
RESUBMIT APPROVED AS NOTED
BY KMH DATE 10-28-10

VERMONT AGENCY OF TRANSPORTATION
PROPOSED IMPROVEMENT BRIDGE PROJECT
TOWN OF BRIDGEWATER, COUNTY OF WINDSOR
VT. ROUTE 100A, BR14 - MAJOR COLLECTOR

GUIDED EXPANSION POT
BEARING DETAIL

AMSCOT
STRUCTURAL PRODUCTS CORP.
DOVER, NJ JOB # 3488

SCALE: N.T.S.	CHECKED: B.F.	DRAWN BY: C.A.M.
DATE: 8/16/10	REVISION: A	
FOR: MILLER CONSTRUCTION, INC.		
DWG NO: MC10A3RA	SHEET NO. 3 OF 5	

103 BEARINGS