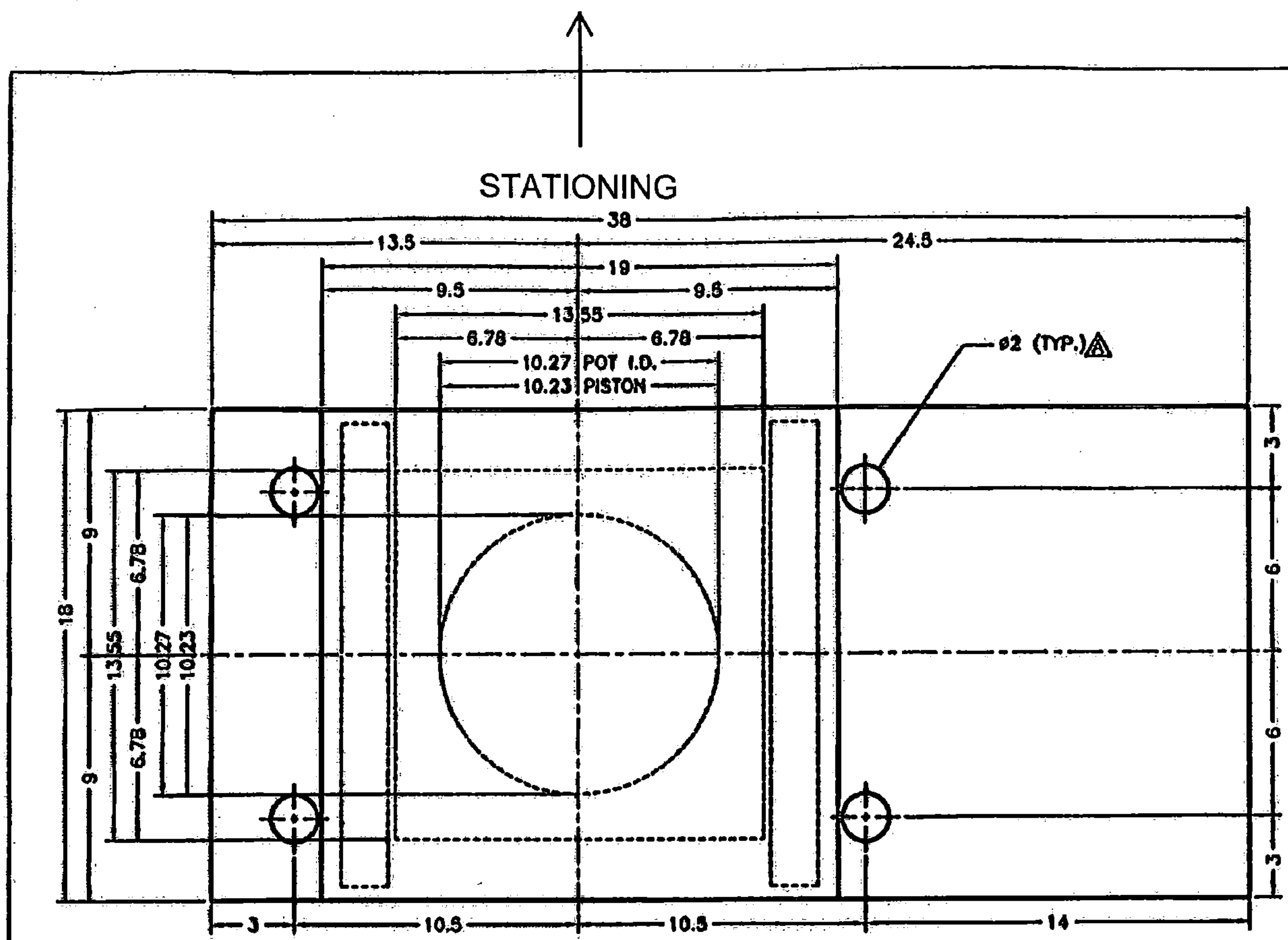
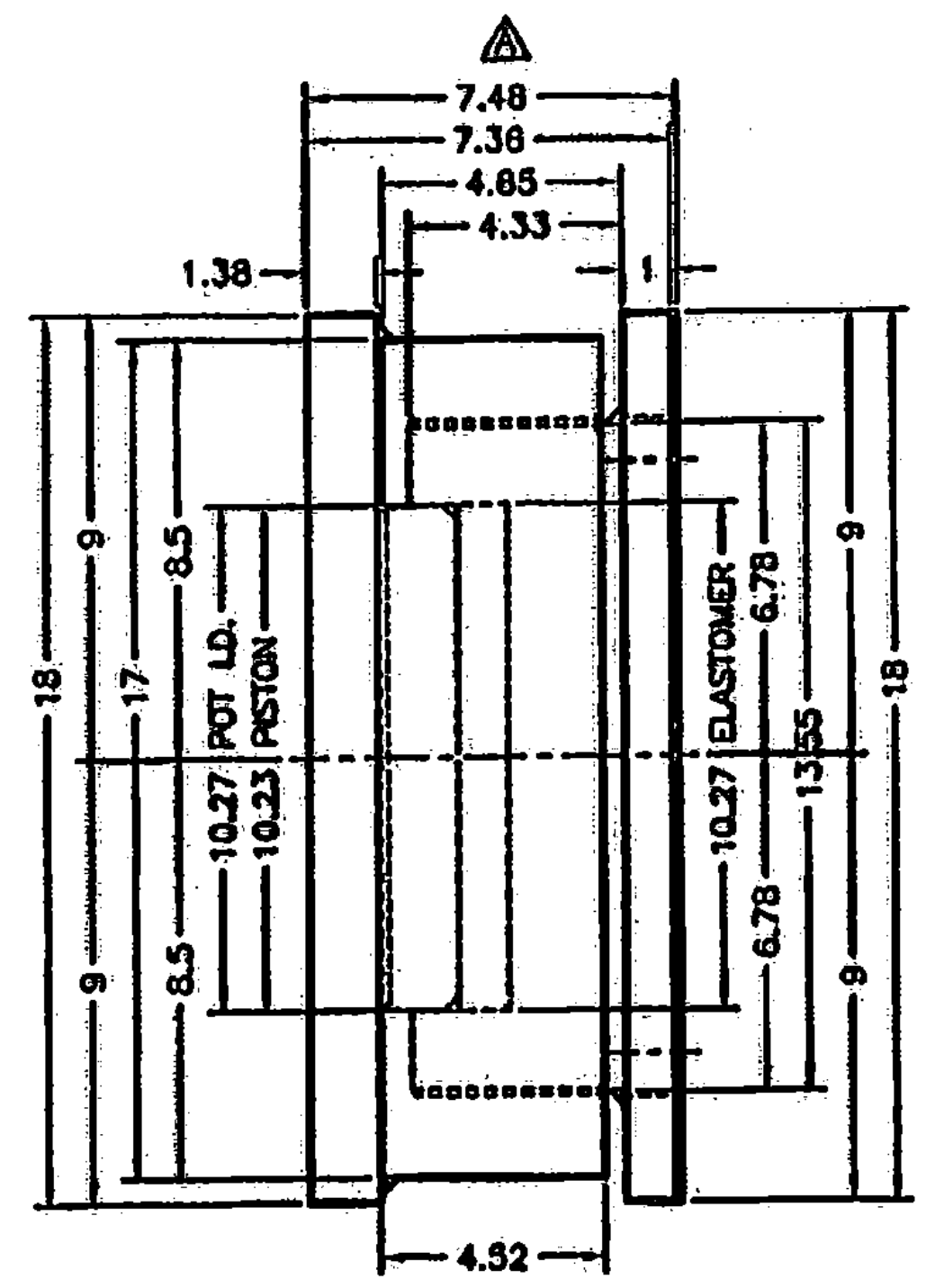


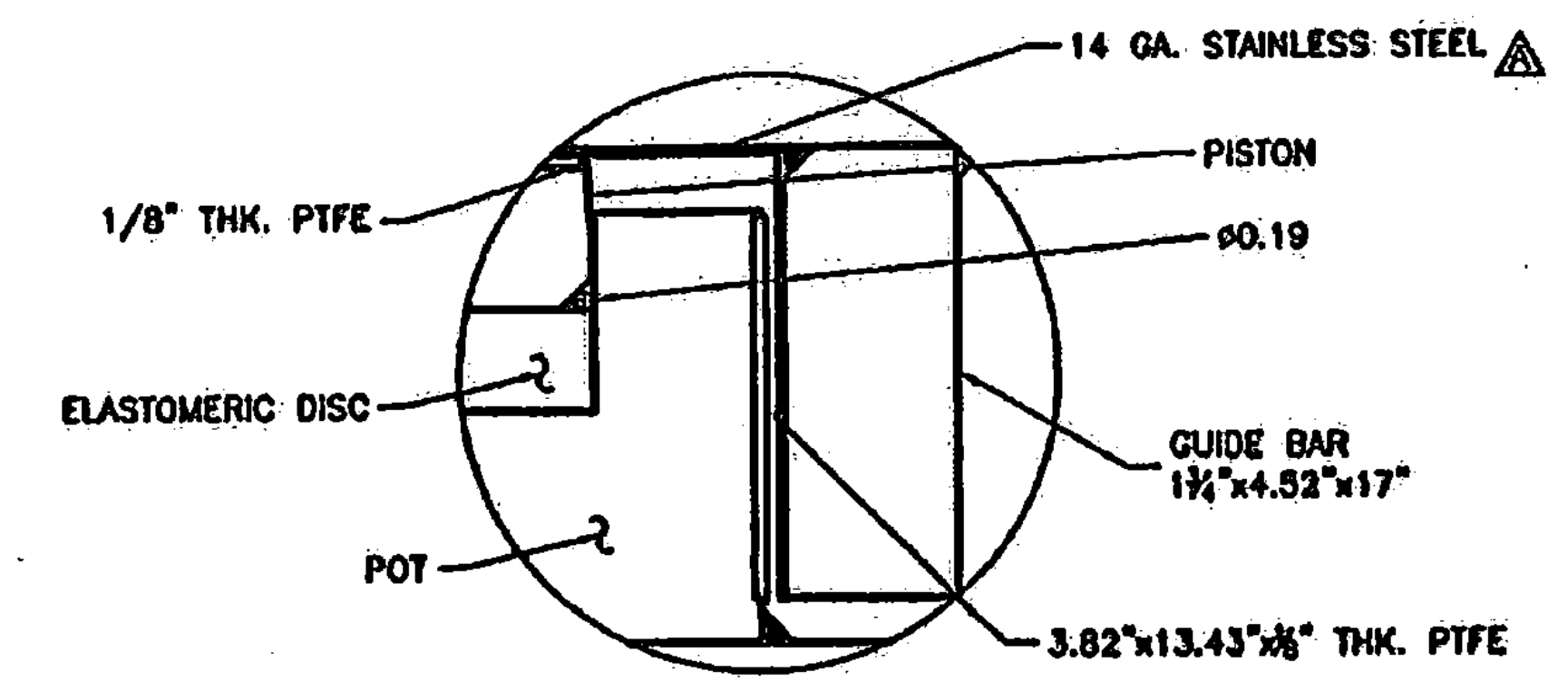
REVISIONS				
ZONE	REV	DESCRIPTION	DATE	APPROVED
--	A	PER ENGINEER'S MARK	10/18/10	C.A.M.



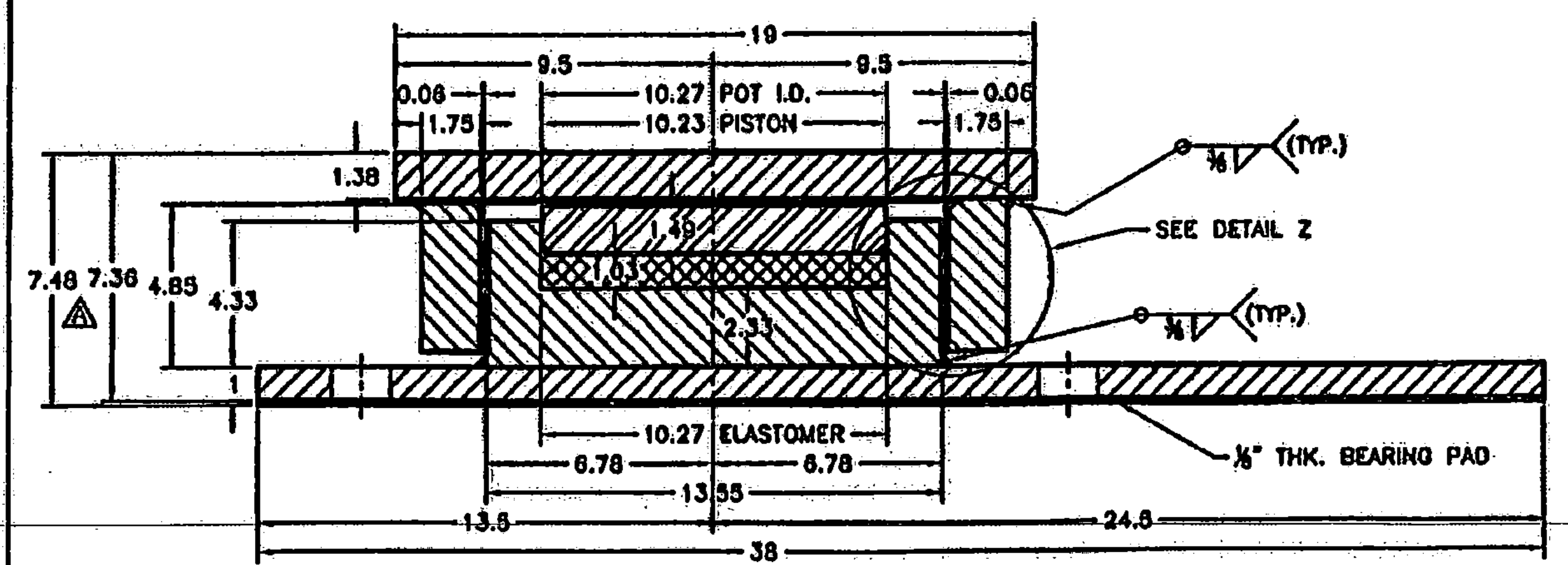
PLAN VIEW



SIDE VIEW



DETAIL Z



ELEVATION VIEW

GUIDED TYPE @ ABUTMENT 1
 QTY. REQ'D = 1
 ITEM NO. 531.12
 VERTICAL CAPACITY = 435 KIPS
 HORIZONTAL CAPACITY = 175 KIPS

Vermont Agency of Transportation
RECEIVED
 CK'D BY TCF OK'D BY KMH
 3:01 pm, Oct 28, 2010
 RESUBMIT _____ APPROVED AS NOTED
 BY KMH DATE 10-28-10

VERMONT AGENCY OF TRANSPORTATION
 PROPOSED IMPROVEMENT BRIDGE PROJECT
 TOWN OF BRIDGEWATER, COUNTY OF WINDSOR
 VT. ROUTE 100A, BR14 - MAJOR COLLECTOR

GUIDED EXPANSION POT
 BEARING DETAIL

AMSCOT
 STRUCTURAL PRODUCTS CORP.
 DOVER, NJ JOB # 3486

SCALE: N.T.S.	CHECKED: B.F.	DRAWN BY: C.A.M.
DATE: 8/18/10	B.F.	REVISION: A

FOR: MILLER CONSTRUCTION, INC.
 DWG NO: MC10A2RA SHEET NO. 2 OF 5

102 BEARINGS