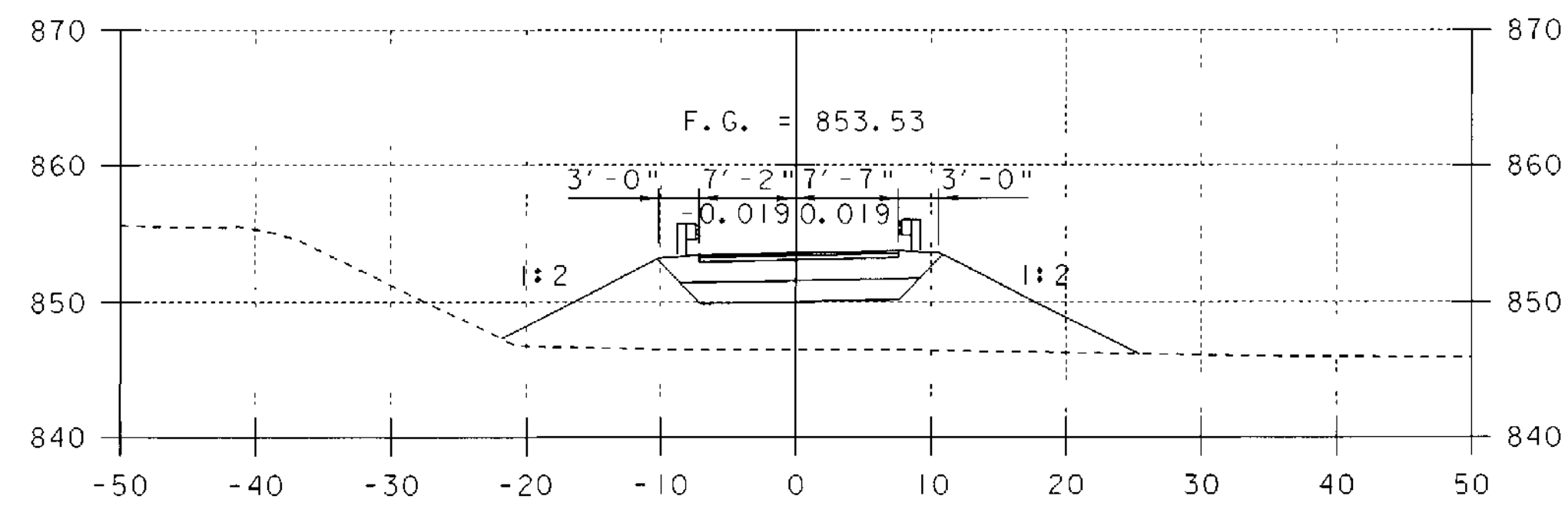
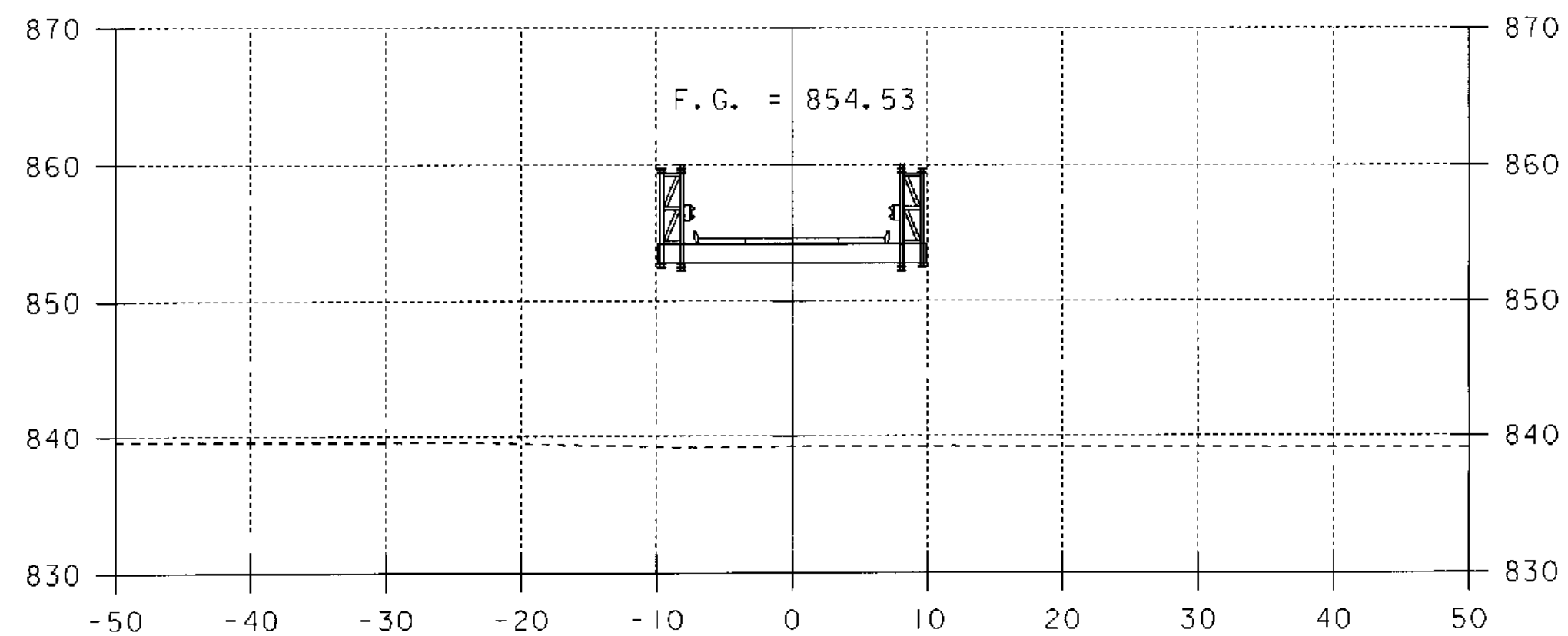


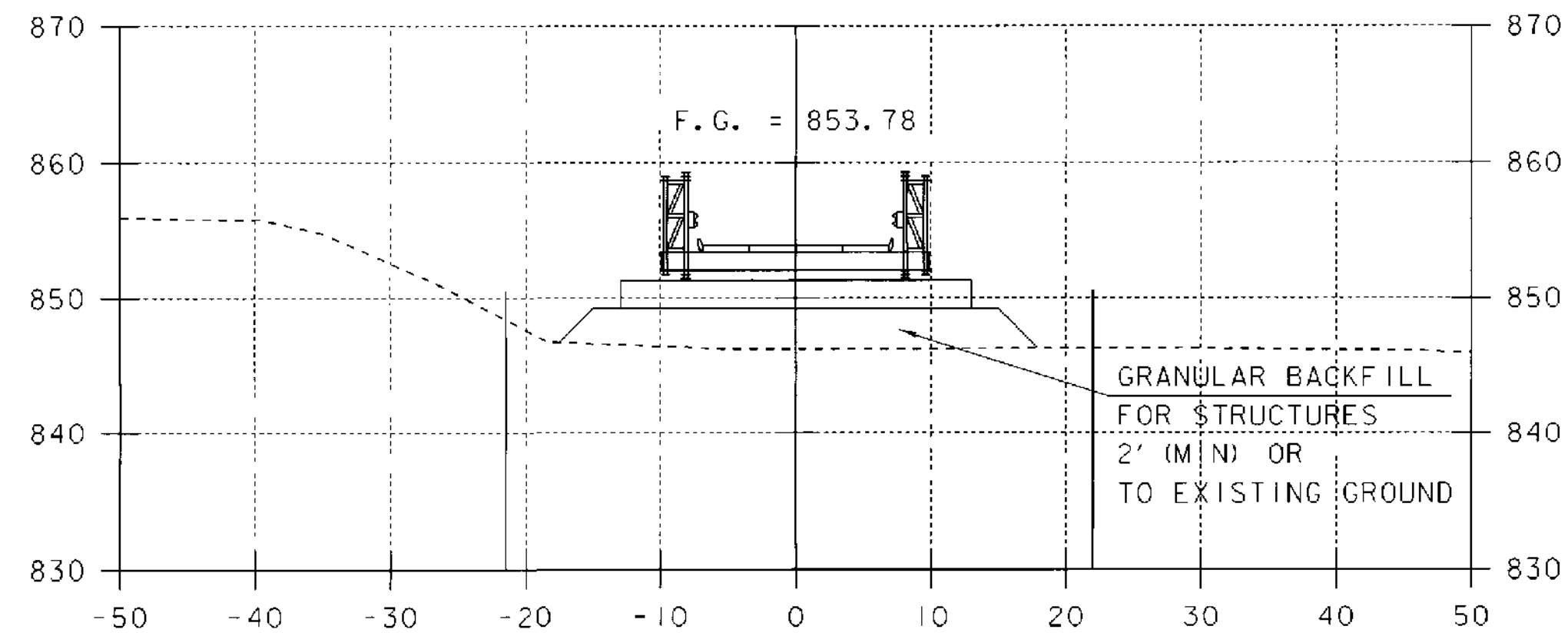
611+75



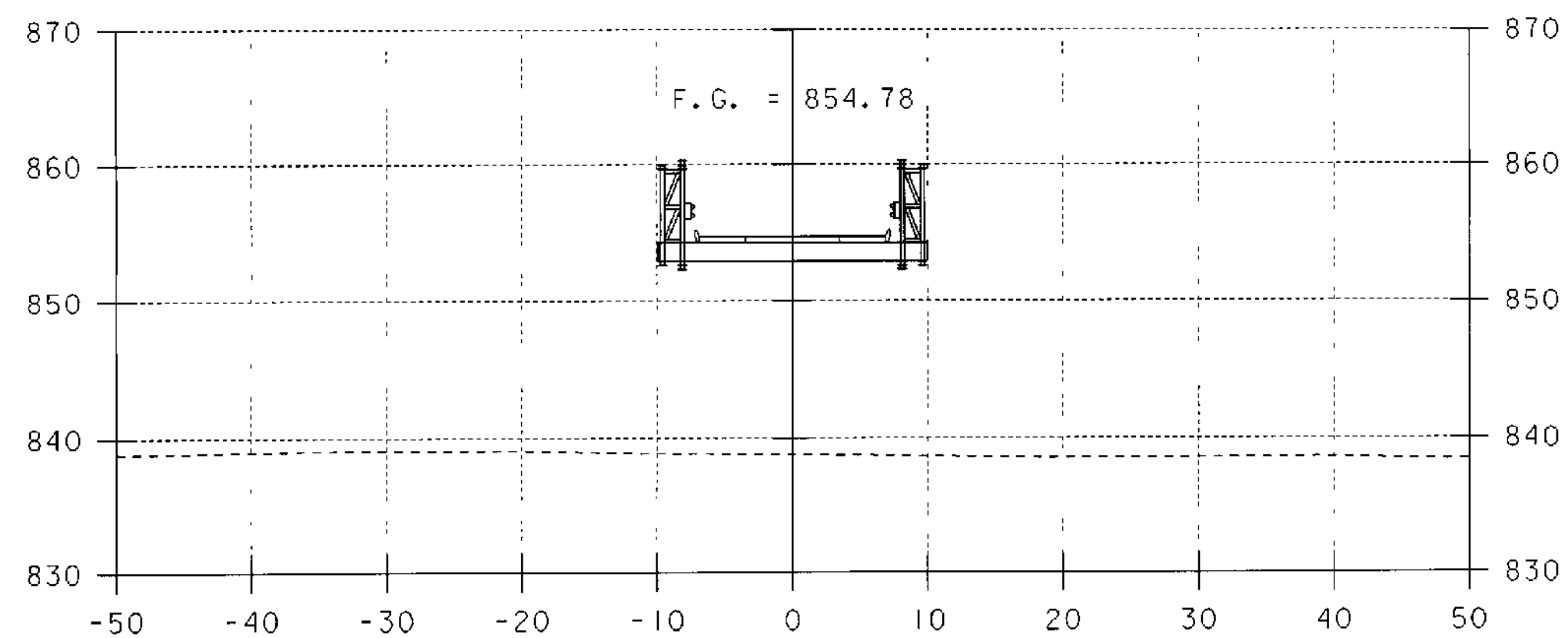
612+50



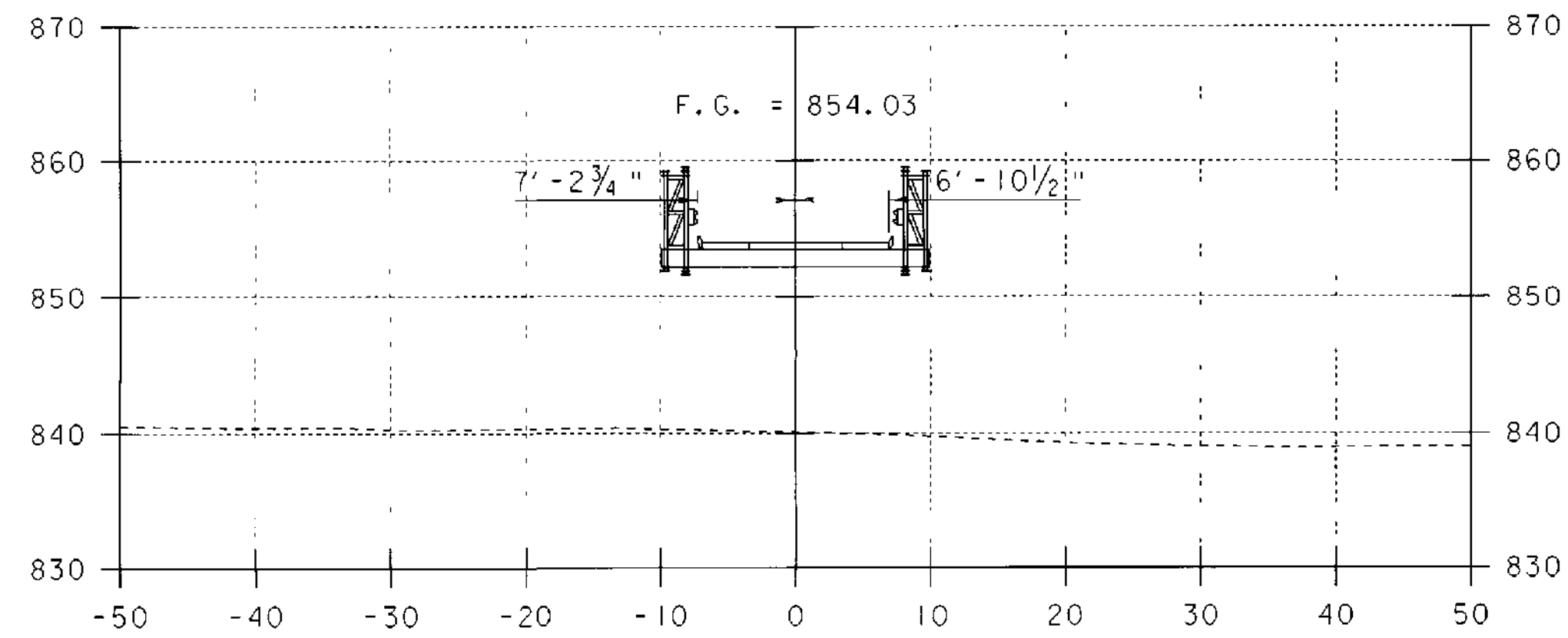
611+50



612+25



611+25



612+00

TEMPORARY BRIDGE CROSS SECTIONS

PROJECT NAME:	BRIDGEWATER	PLOT DATE:	14-SEP-2005
PROJECT NUMBER:	BRS 0149 (4)	DRAWN BY:	T. FILLBACH
FILE NAME:	/s/tr5/86e062/se062xs.dgn	CHECKED BY:	T. SUMNER
PROJECT LEADER:	C. KELLER	SHEET	16 OF 18
DESIGNED BY:	T. FILLBACH		
se062xs2.i			