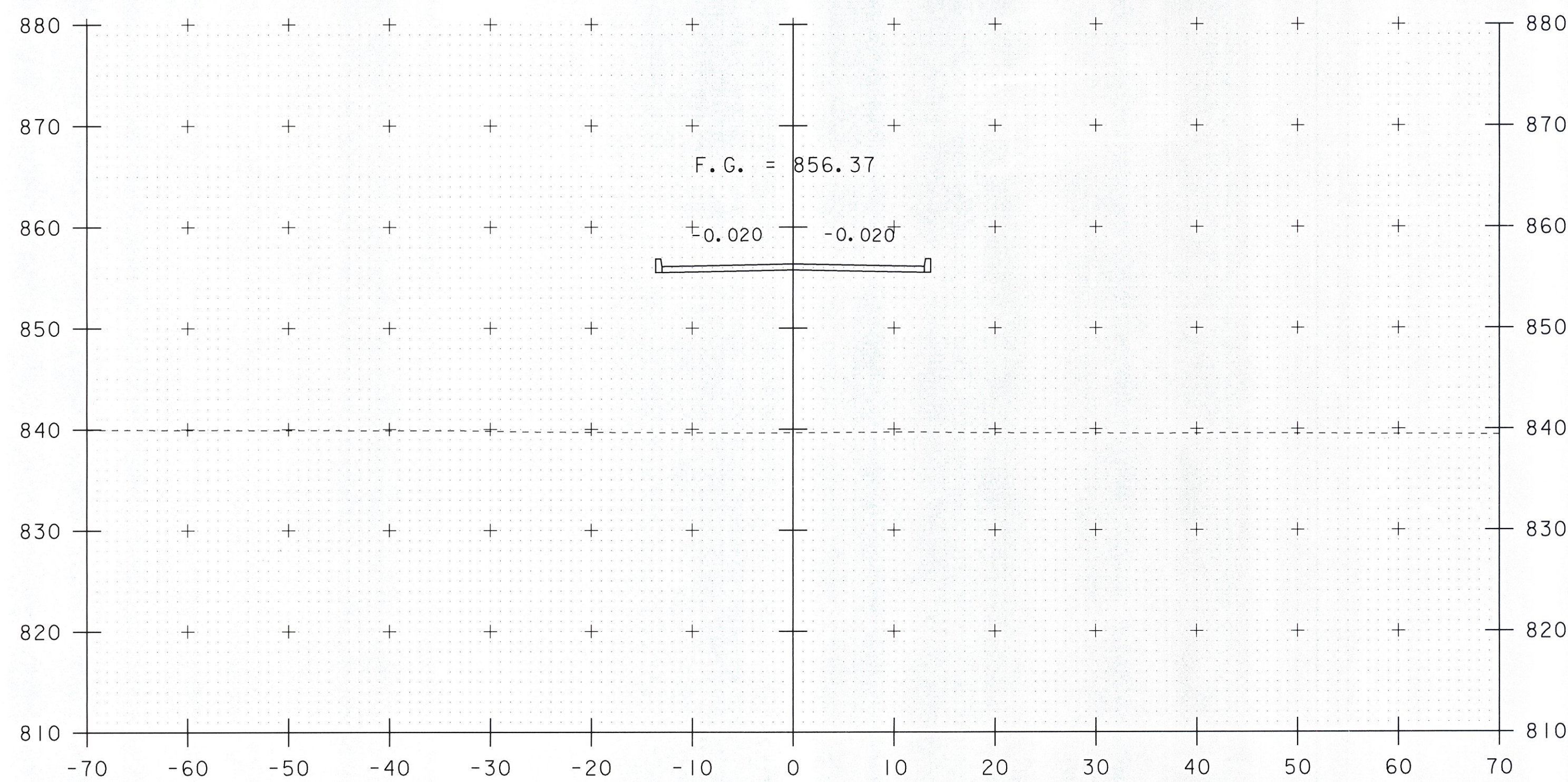
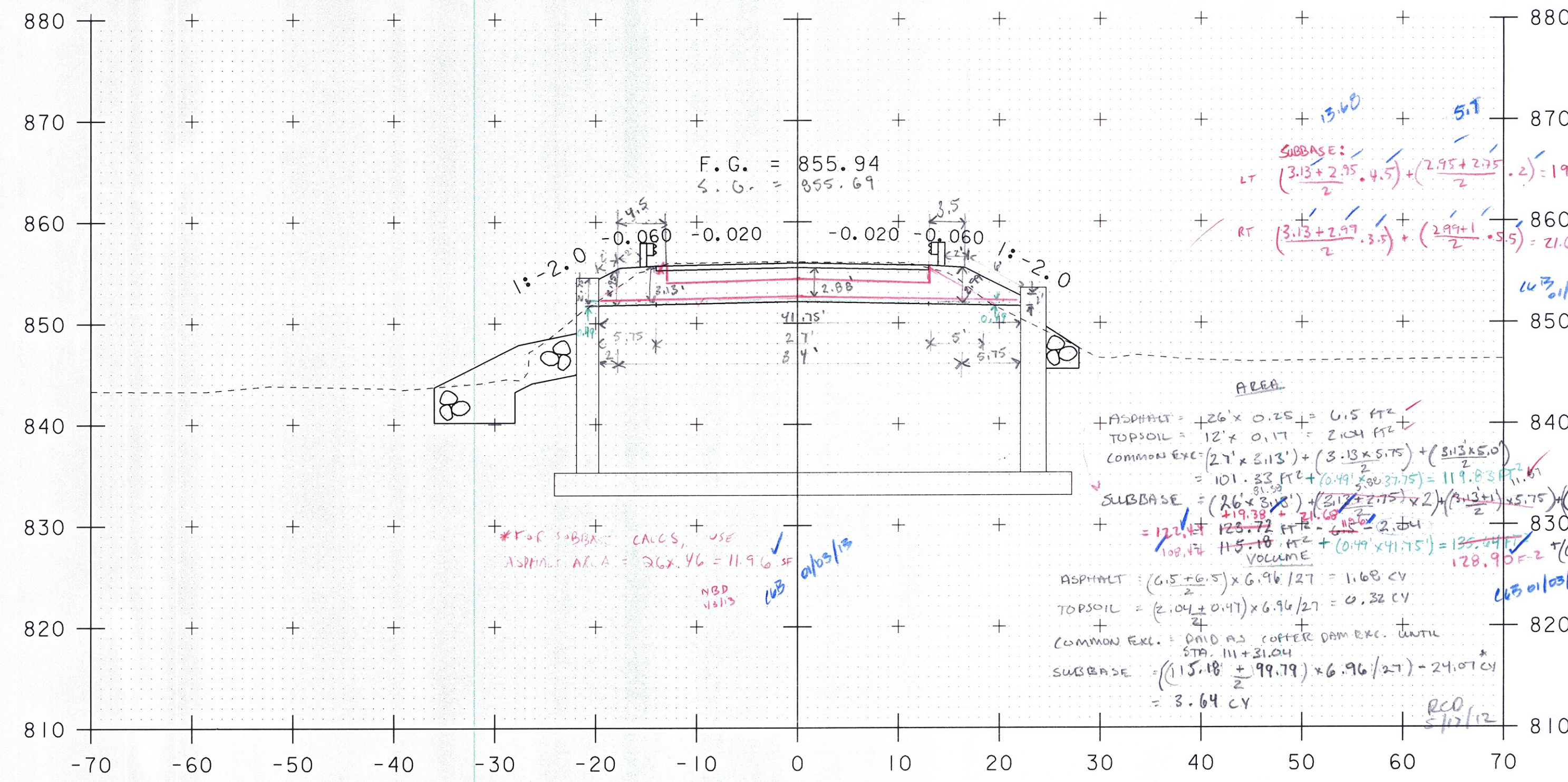


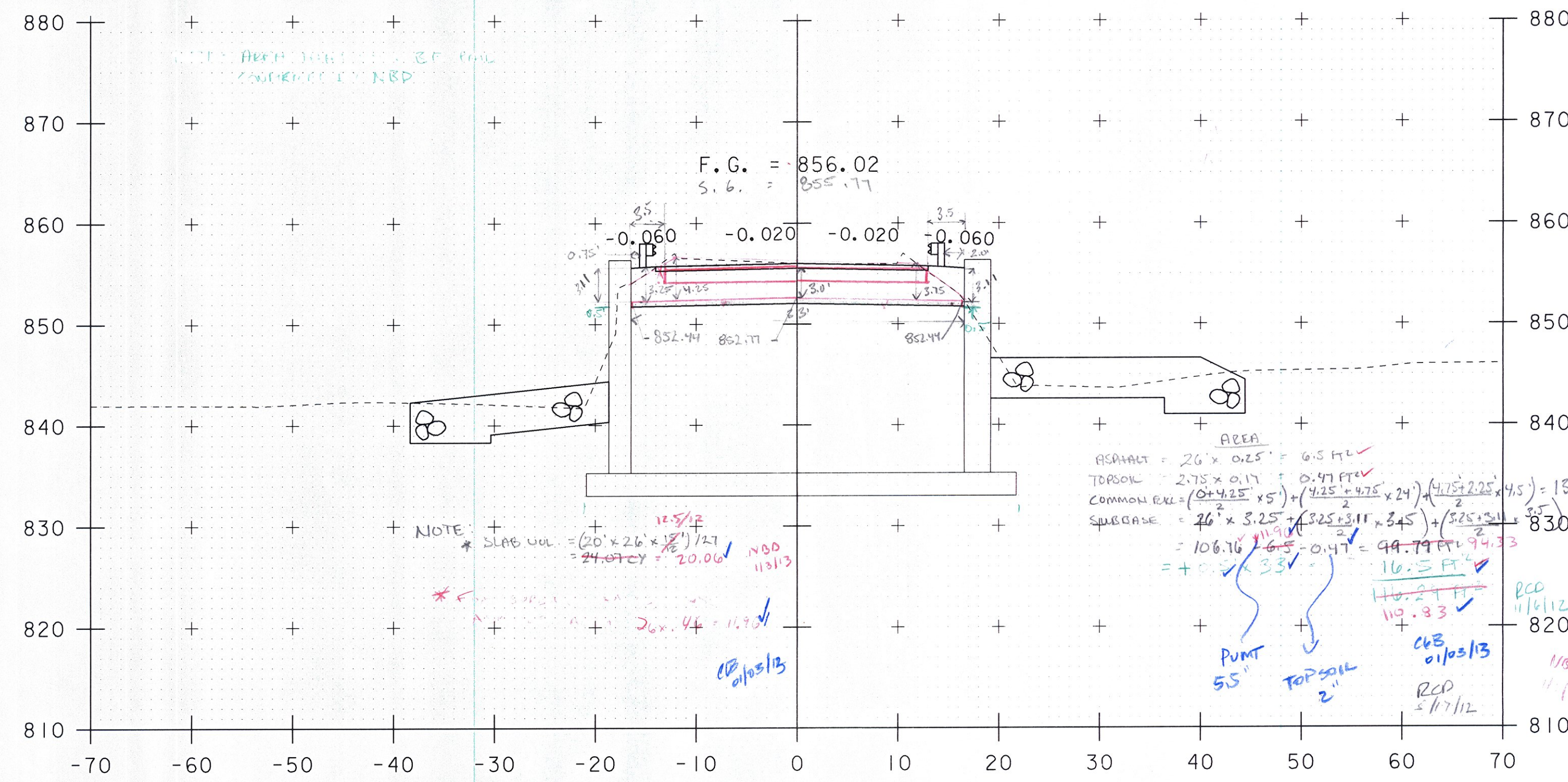
111+00



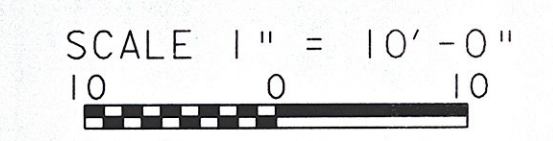
110+75



111+25



END BRIDGE
111+18.04



PROJECT NAME: BRIDGEWATER	FILE NAME: s86e062xs.dgn	PLOT DATE: 31-DEC-2009
PROJECT NUMBER: BRS 0149(4)	PROJECT LEADER: K. HIGGINS	DRAWN BY: J. SALVATORI
	DESIGNED BY: T. FILLBACH	CHECKED BY: T. FILLBACH
	MAINLINE SECTIONS #4	SHEET 52 OF 58