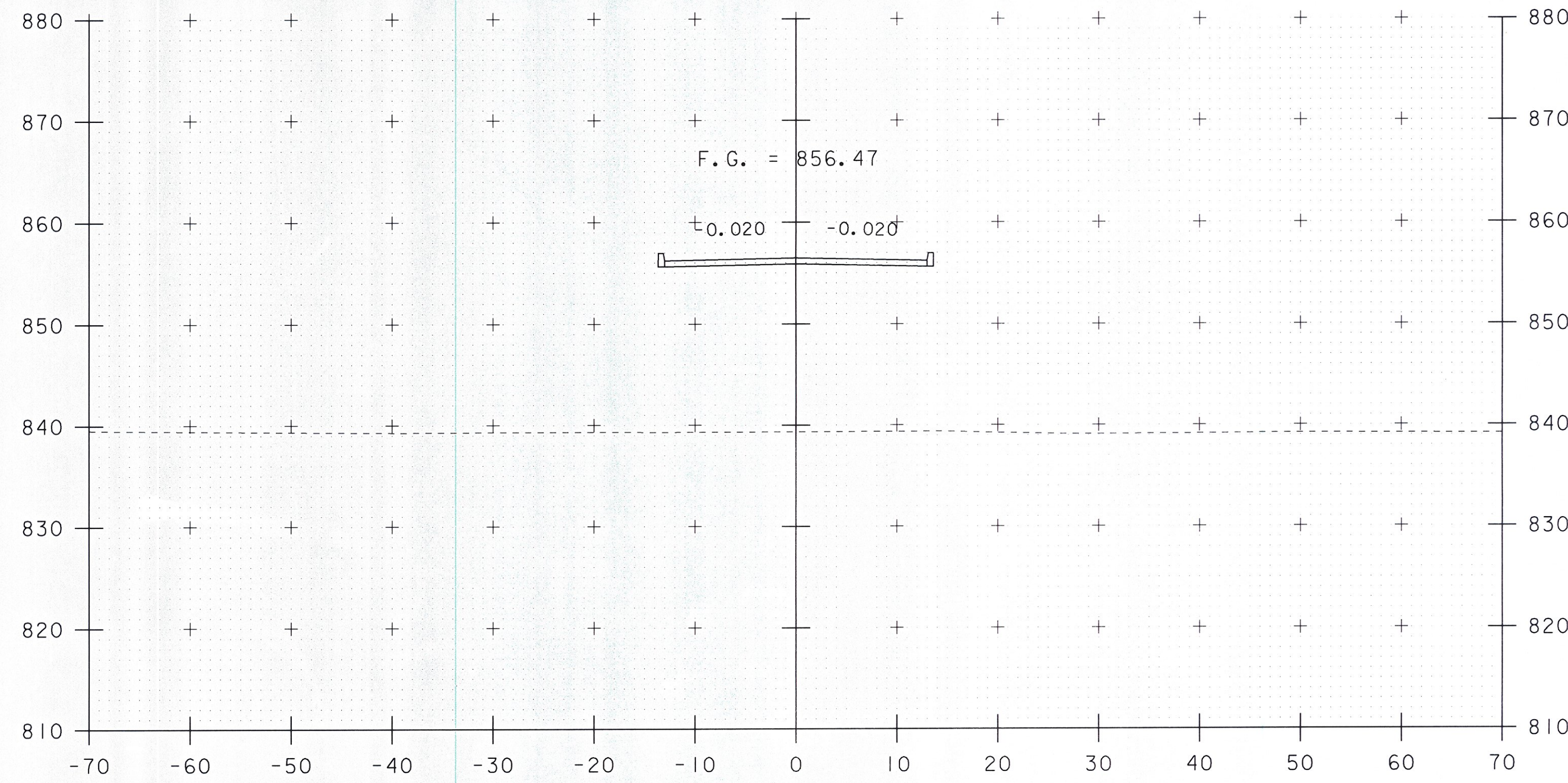
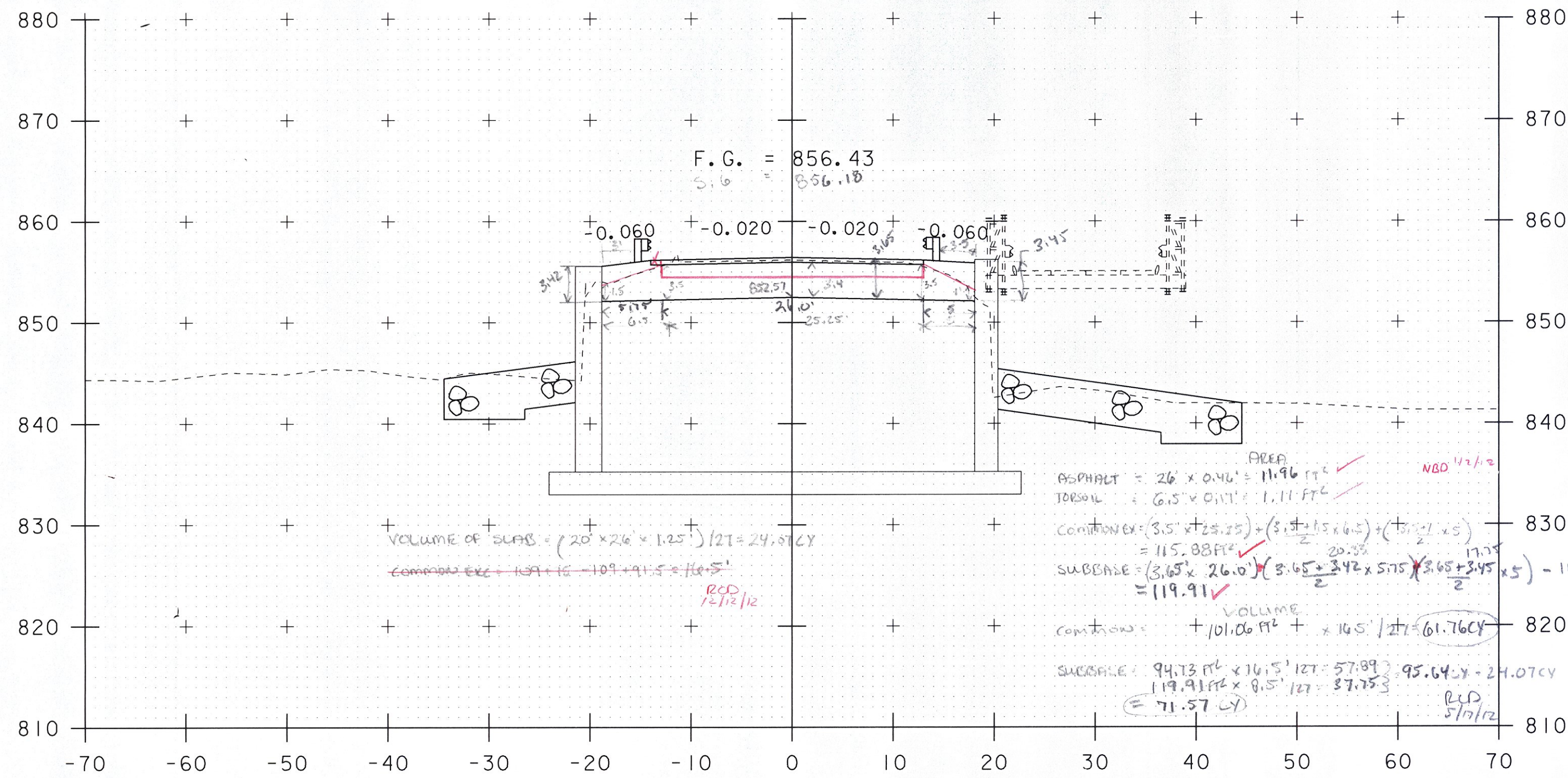


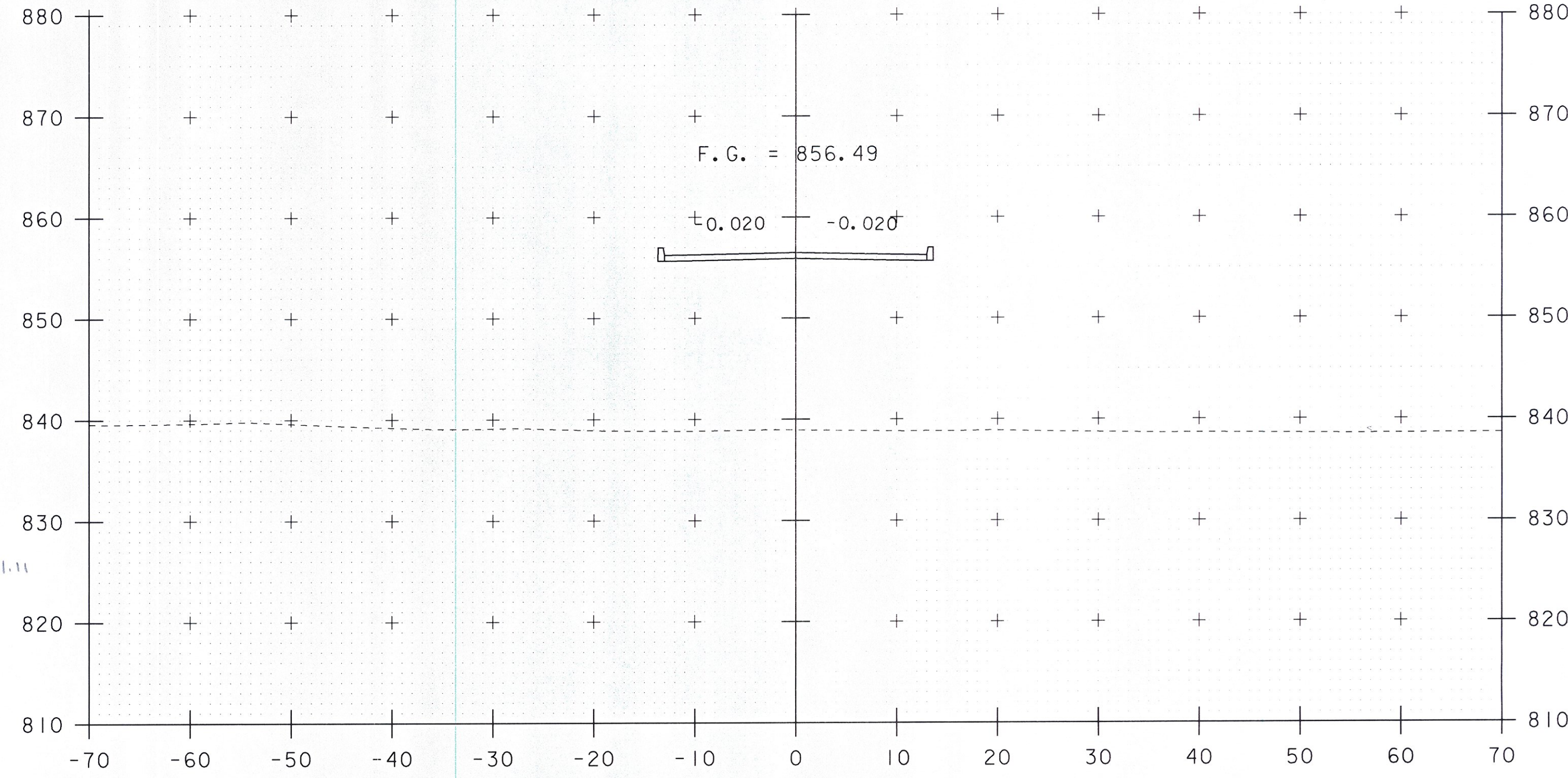
BEGIN BRIDGE  
110+02.50



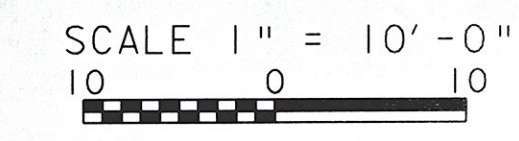
110+50



110+00



110+25



PROJECT NAME: BRIDGEWATER	PLOT DATE: 31-DEC-2009
PROJECT NUMBER: BRS 0149(4)	DRAWN BY: J. SALVATORI
FILE NAME: s86e062xs.dgn	CHECKED BY: T. FILLBACH
DESIGNED BY: T. FILLBACH	SHEET 51 OF 58
MAINLINE SECTIONS *3	