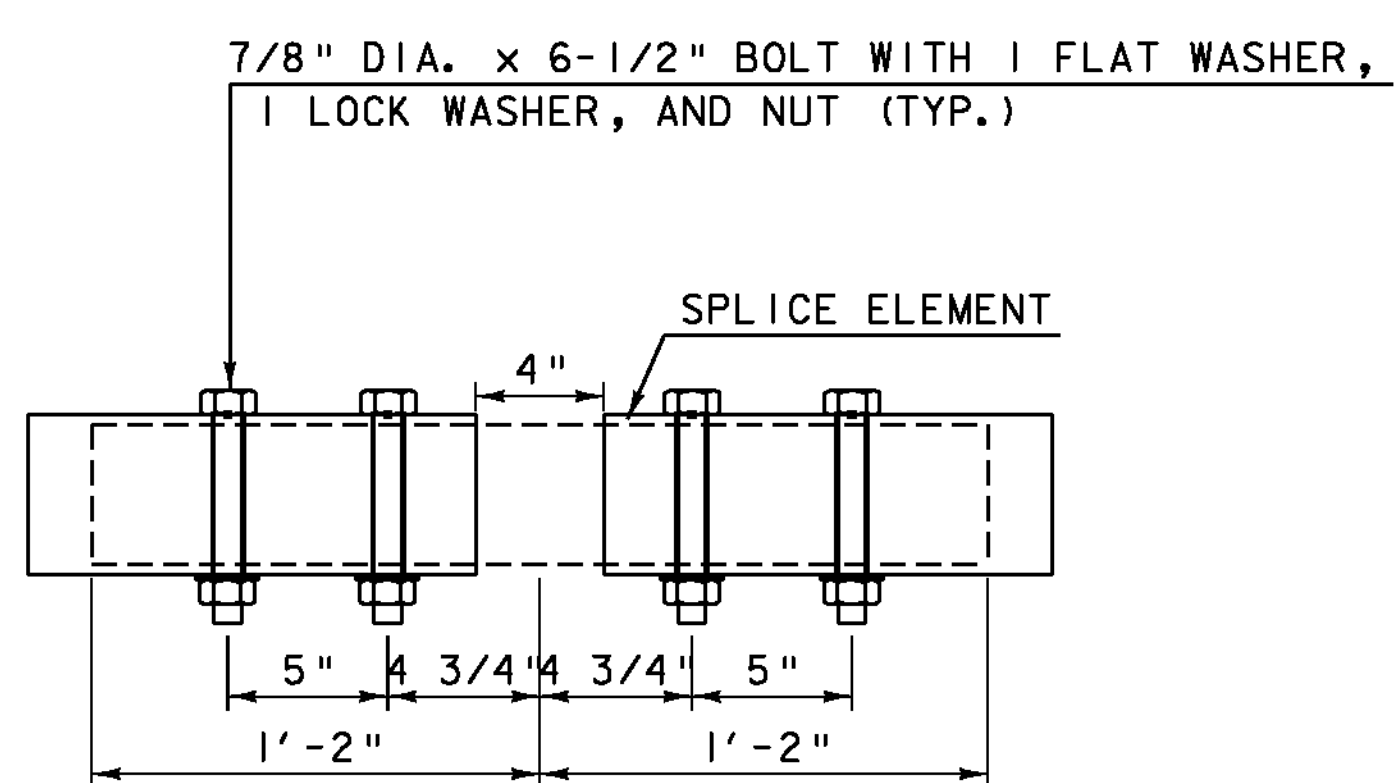
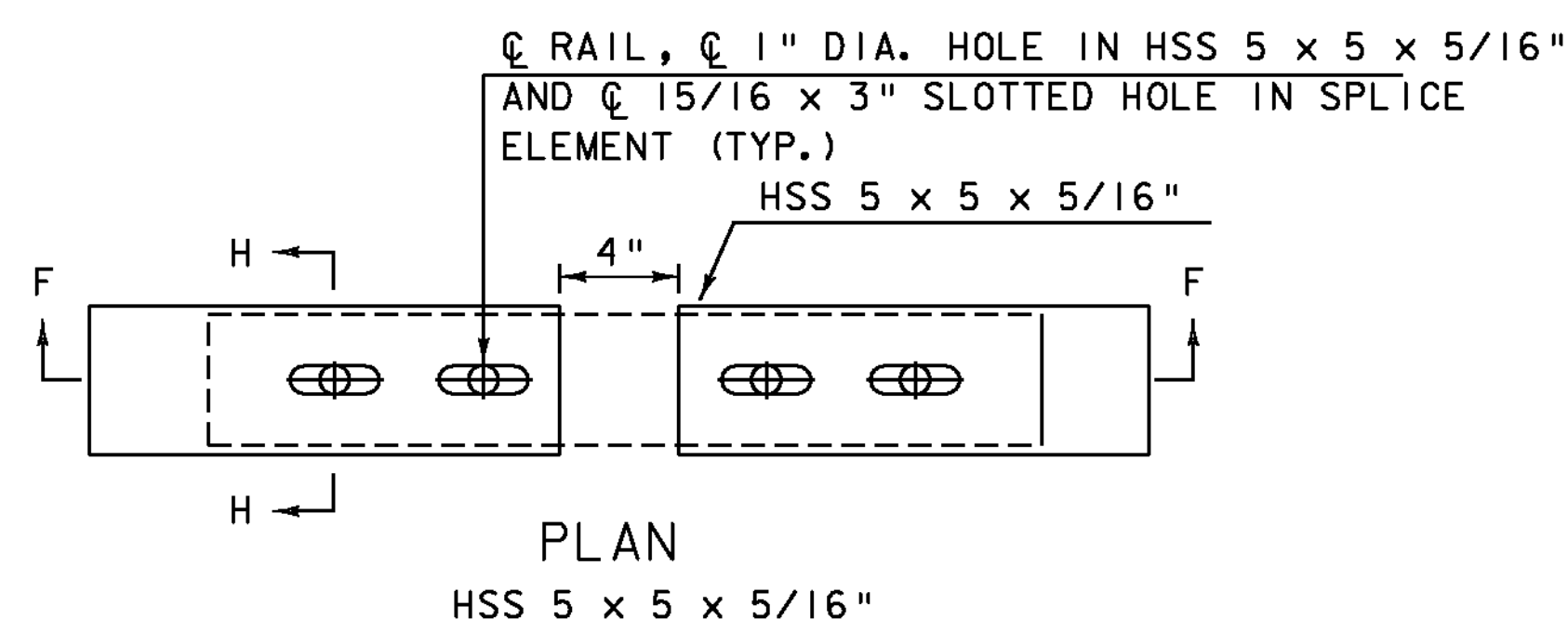


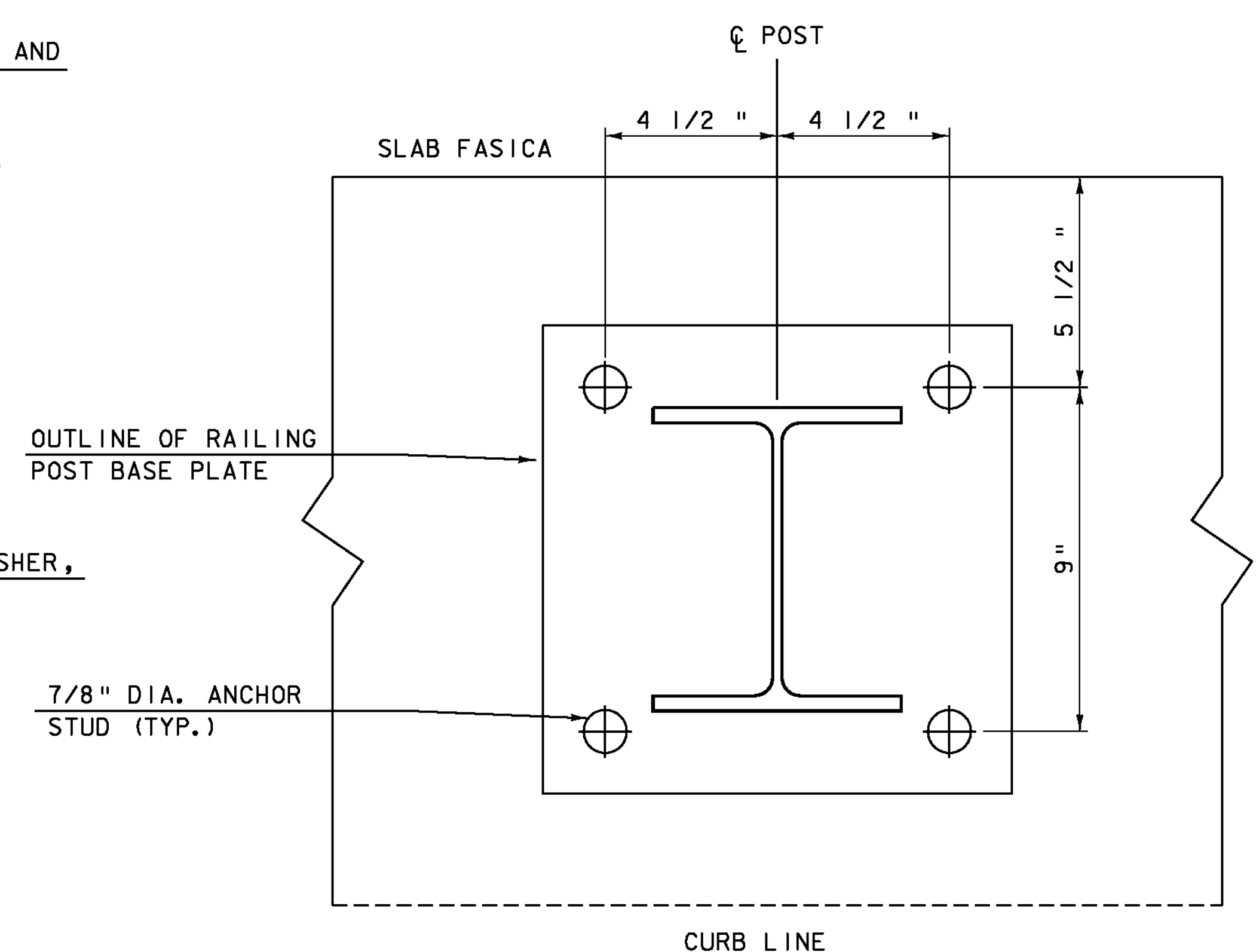
SECTION D-D  
HSS 5 x 5 x 5/16"

FIXED SPLICE DETAILS

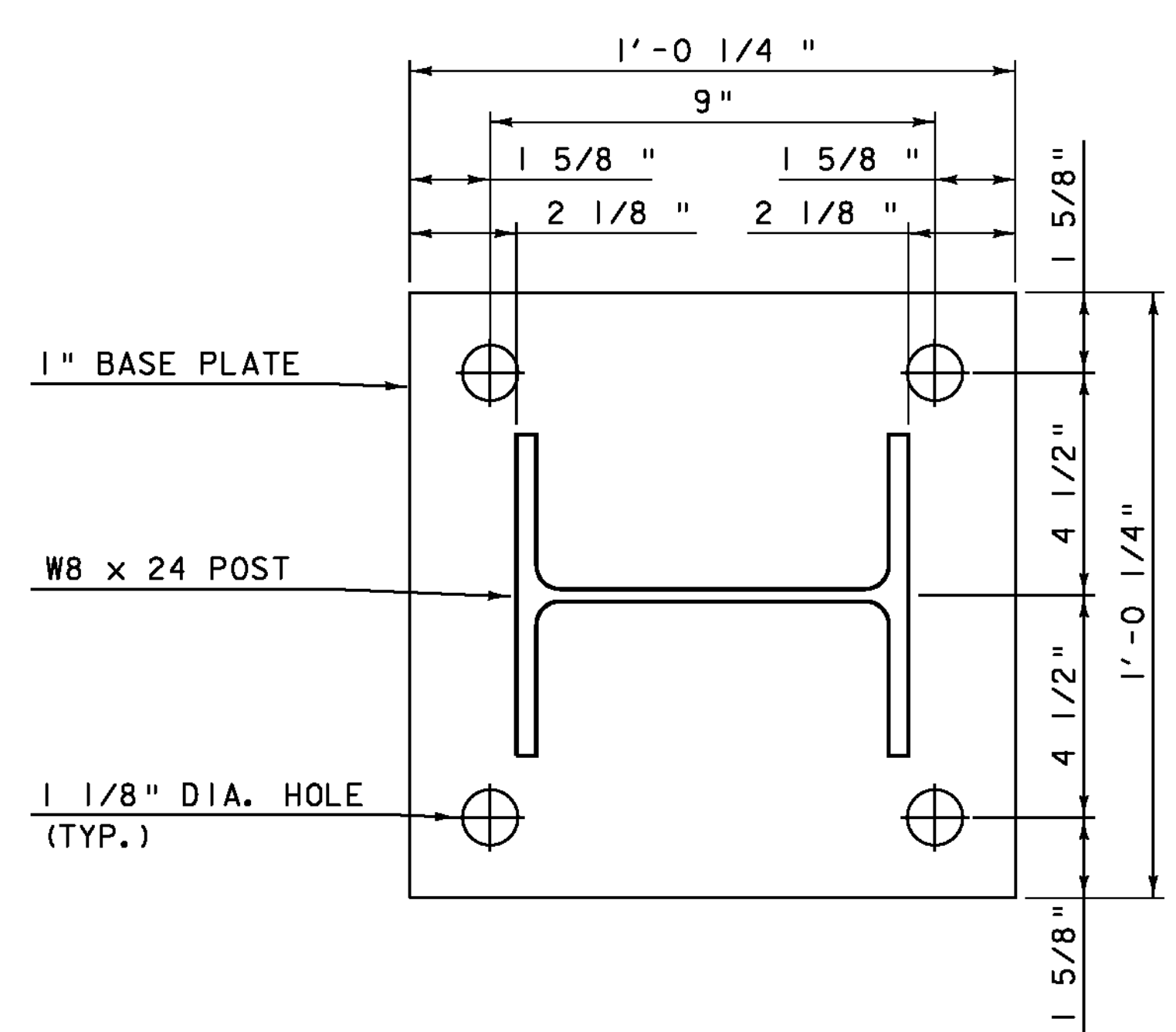


SECTION F-F  
HSS 5 x 5 x 5/16"

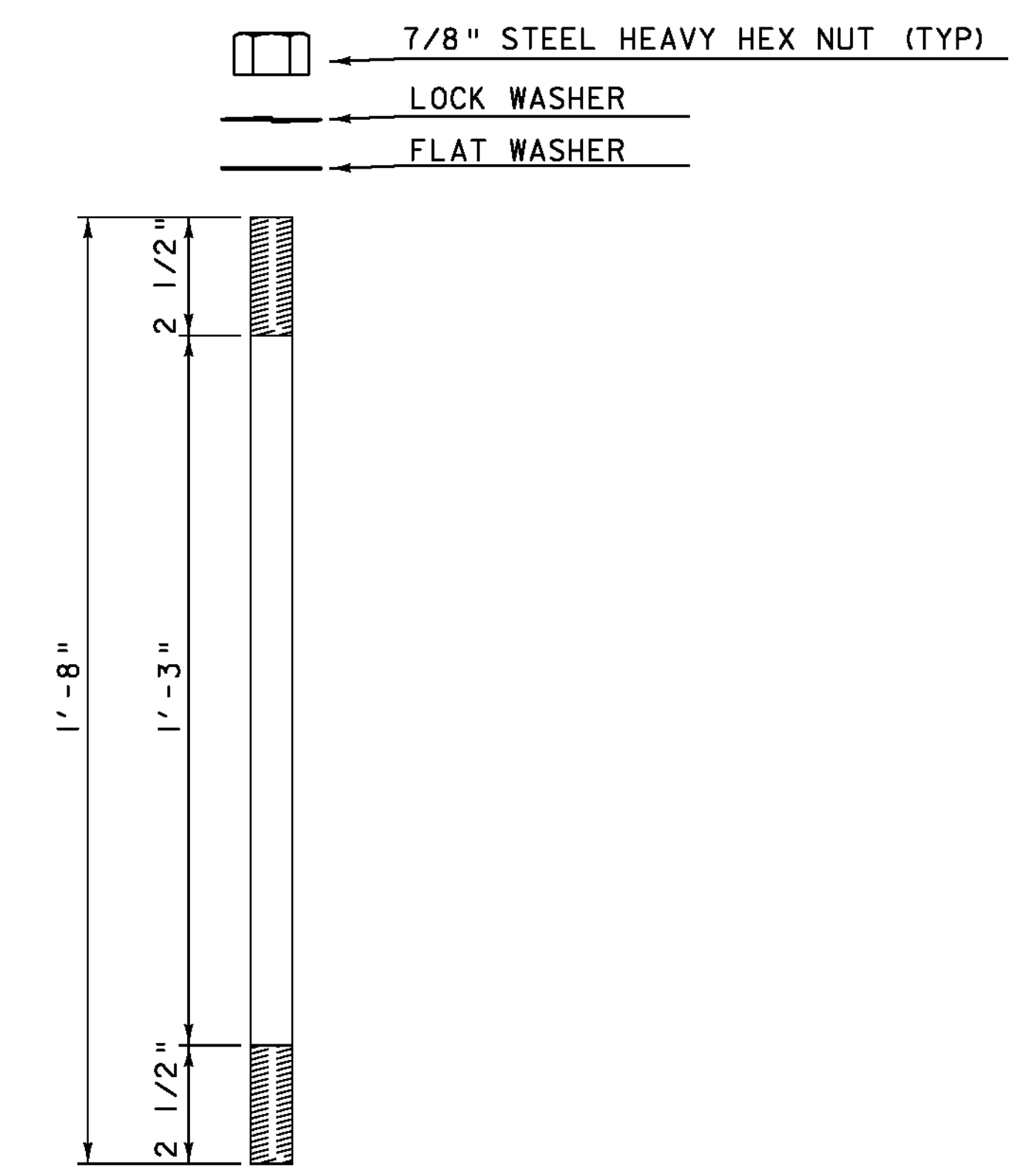
EXPANSION SPLICE DETAILS



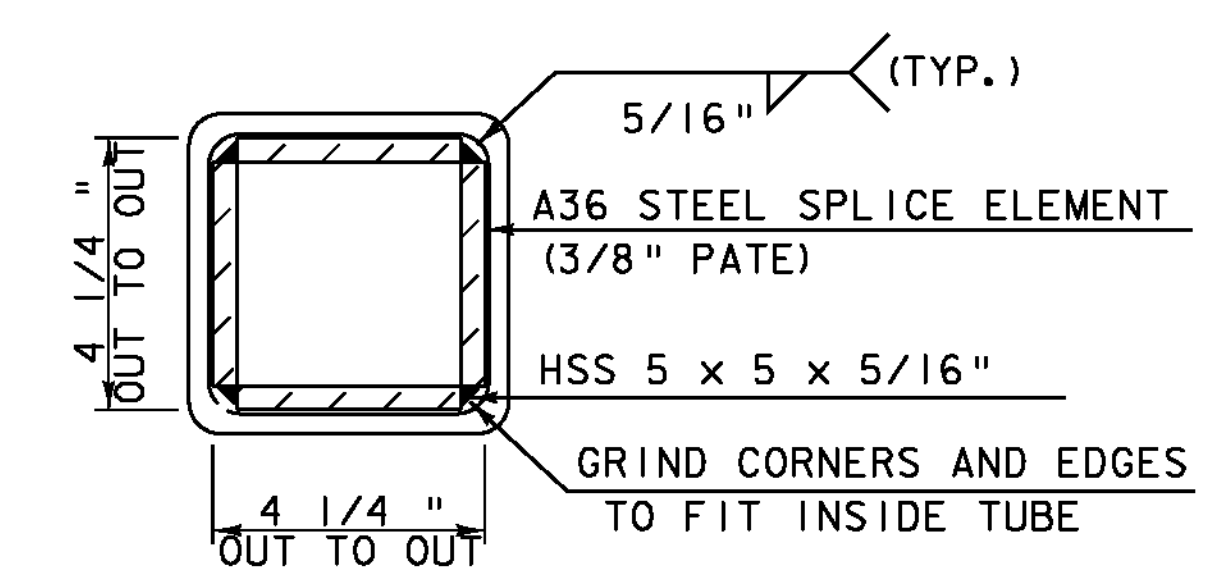
ANCHOR STUD LAYOUT  
NOTE: SURFACE UNDER POST IS  
TO BE FINISHED LEVEL



BASE PLATE DETAIL



ANCHOR STUD DETAIL



SECTION H-H

PROJECT NAME:	BRIDGEWATER
PROJECT NUMBER:	BRS 0149(4)
FILE NAME:	s86e062raildet.dgn
PROJECT LEADER:	K. HIGGINS
DESIGNED BY:	G. LAROCHE
RAIL DETAIL #2	
PLOT DATE:	31-DEC-2009
DRAWN BY:	G. LAROCHE
CHECKED BY:	T. FILLBACH
SHEET	41 OF 58