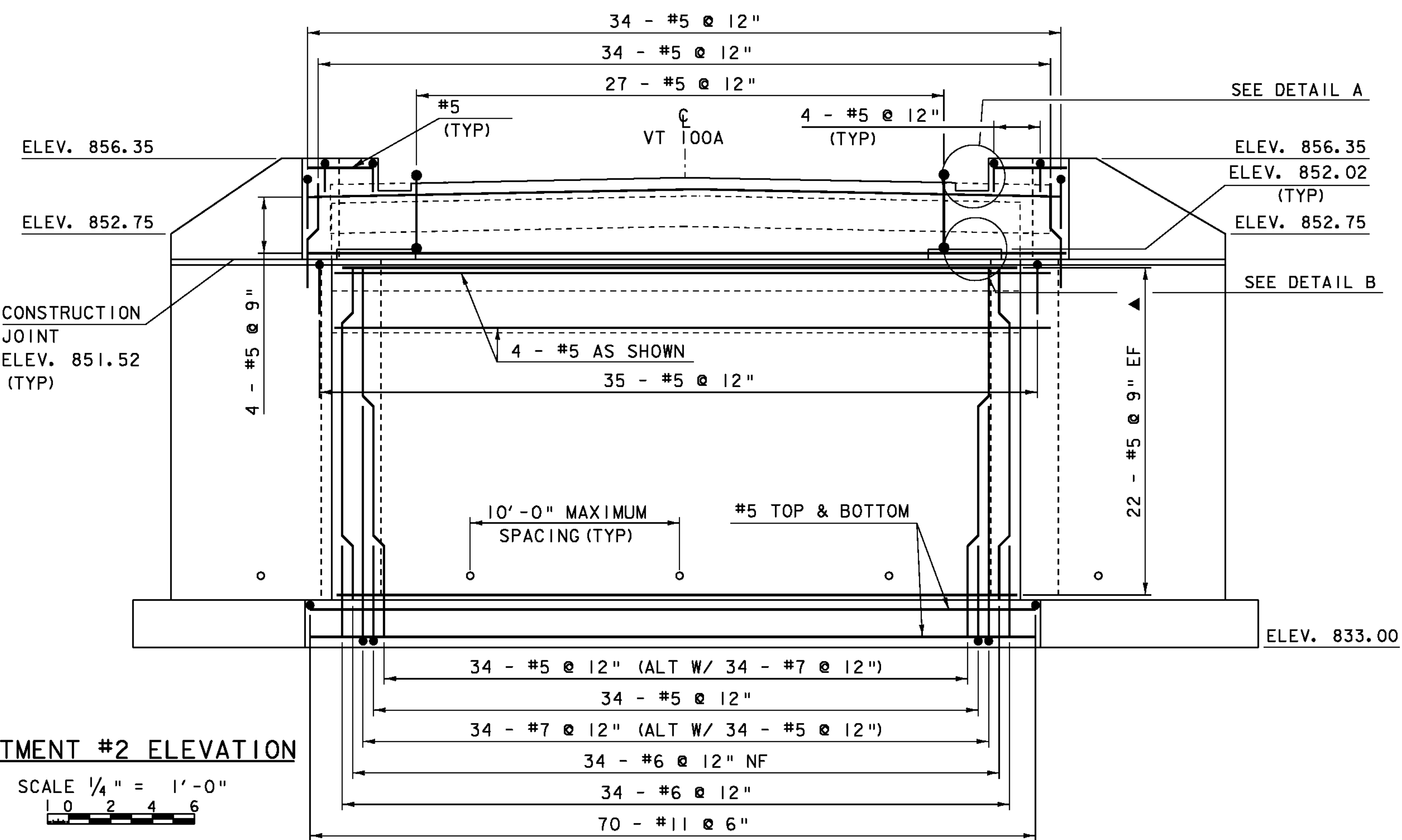


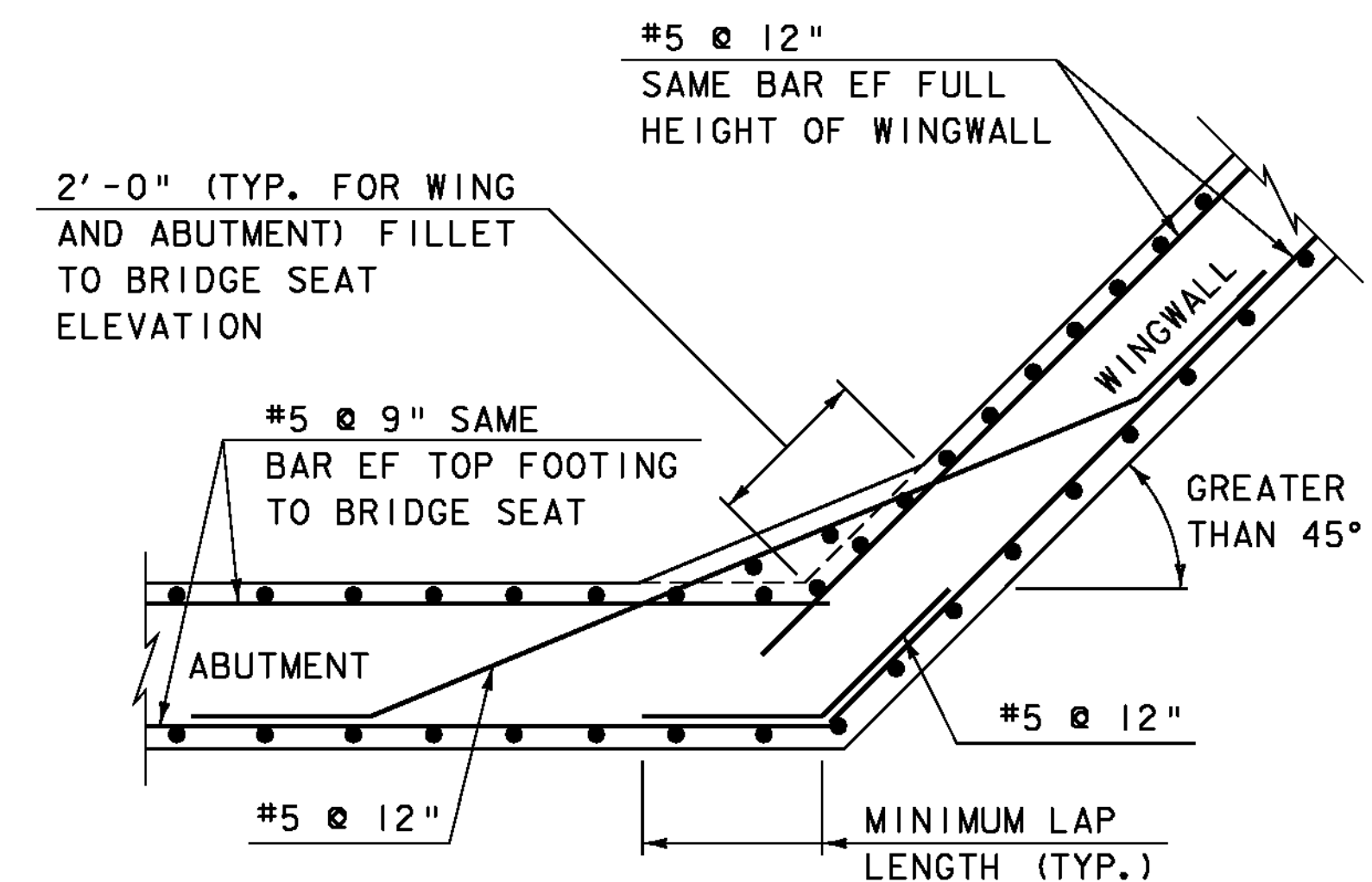
**ABUTMENT #2 PLAN**

SCALE 1/4" = 1'-0"

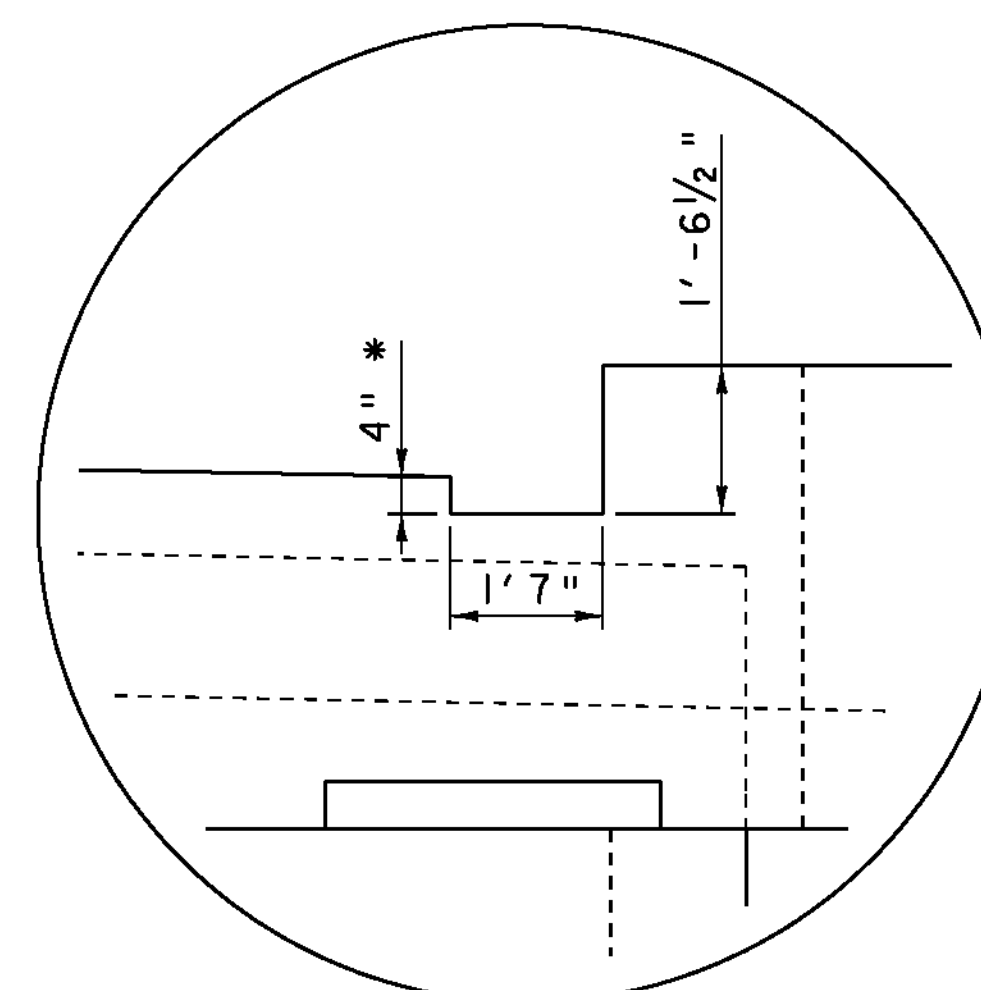


**ABUTMENT #2 ELEVATION**

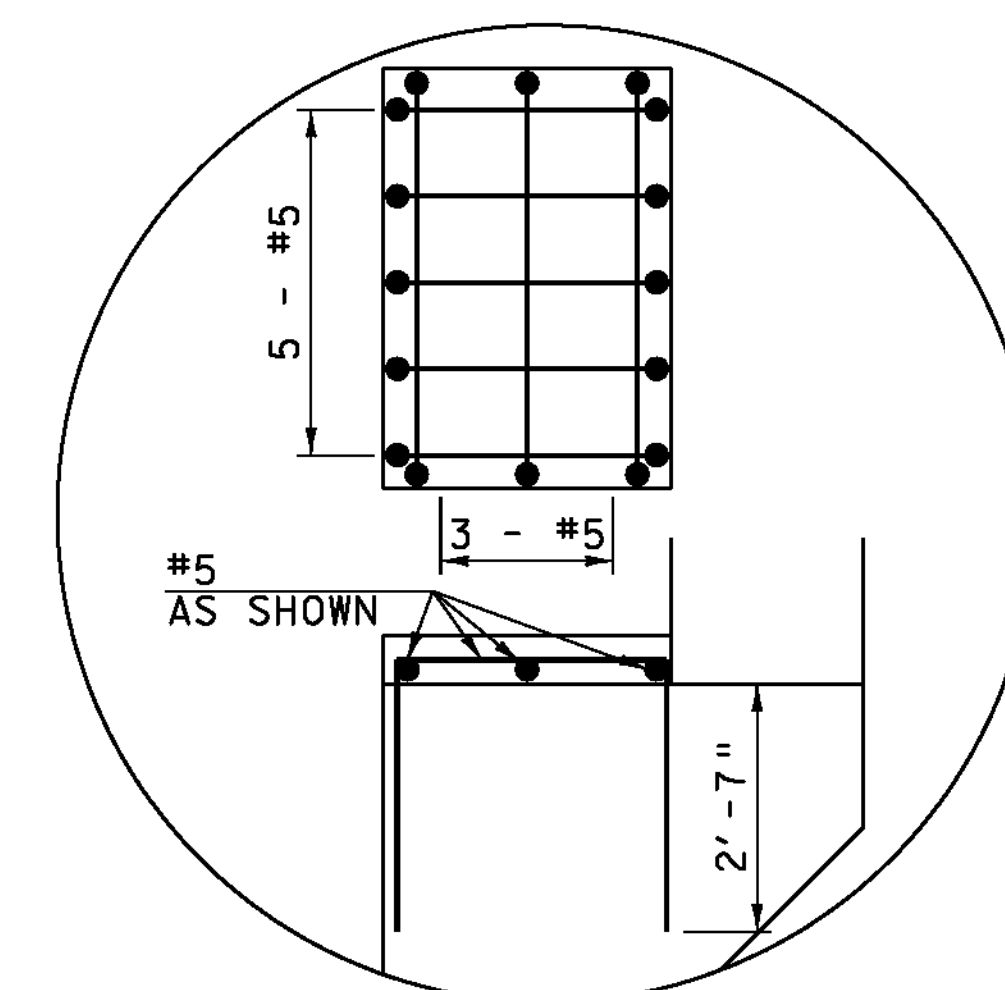
SCALE 1/4" = 1'-0"



**WINGWALL CORNER DETAIL FOR GREATER THAN 45°**  
 NOT TO SCALE



**DETAIL A**



**DETAIL B**

\* DEPTH DEPENDS ON DECK SYSTEM CHOSEN

NOTE:  
 CONTRACTOR IS RESPONSIBLE FOR DETERMINING THE LENGTHS AND REINFORCING BAR BENDS BASED ON THESE DRAWINGS. ALL LAP LENGTHS SHALL BE AT LEAST THE LENGTH SPECIFIED BELOW:

- #5 - 2'-2"
- #6 - 2'-7"
- #7 - 3'-5"
- #8 - 4'-6"
- #9 - 5'-8"
- #10 - 7'-3"
- #11 - 8'-10"

**NOTE:**

NF = NEAR FACE  
 FF = FAR FACE  
 EF = EACH FACE  
 3" CLEAR, UNLESS OTHERWISE SPECIFIED ON THE PLANS.

PROJECT NAME: BRIDGEWATER  
 PROJECT NUMBER: BRS 0149(4)

FILE NAME: s86e062sub.dgn  
 PROJECT LEADER: K. HIGGINS  
 DESIGNED BY: T. FILLBACH  
 ABUTMENT #2

PLOT DATE: 31-DEC-2009  
 DRAWN BY: R. PELLET  
 CHECKED BY: T. FILLBACH  
 SHEET 37 OF 58