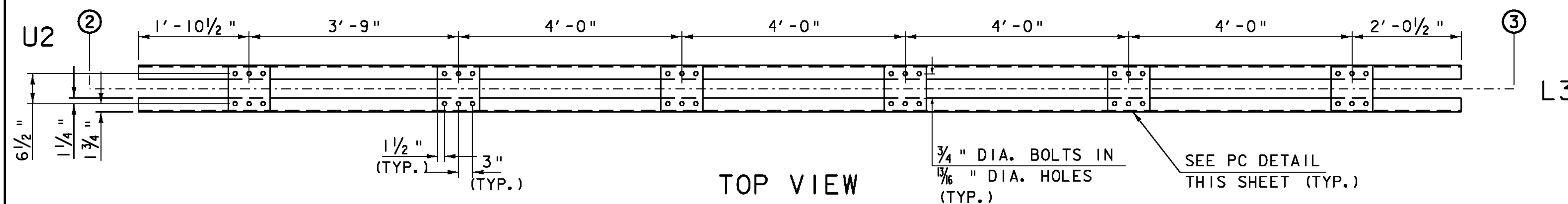
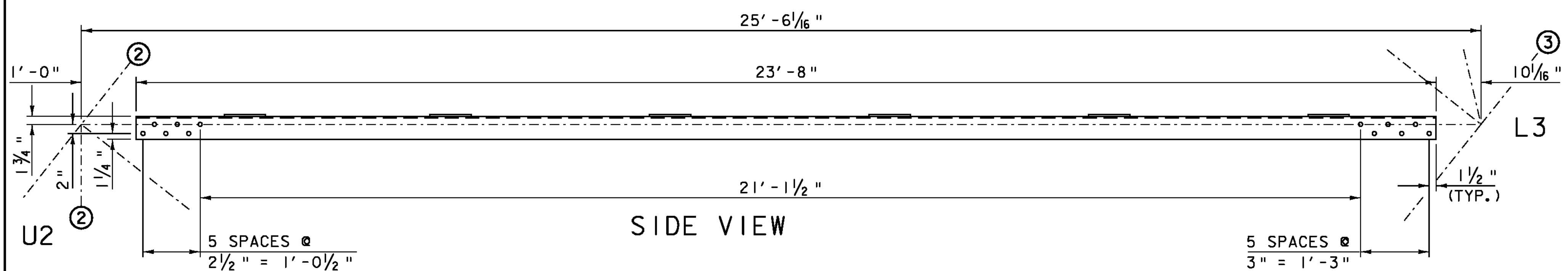
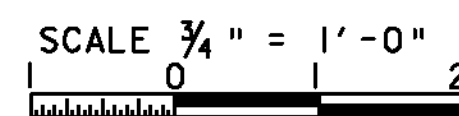


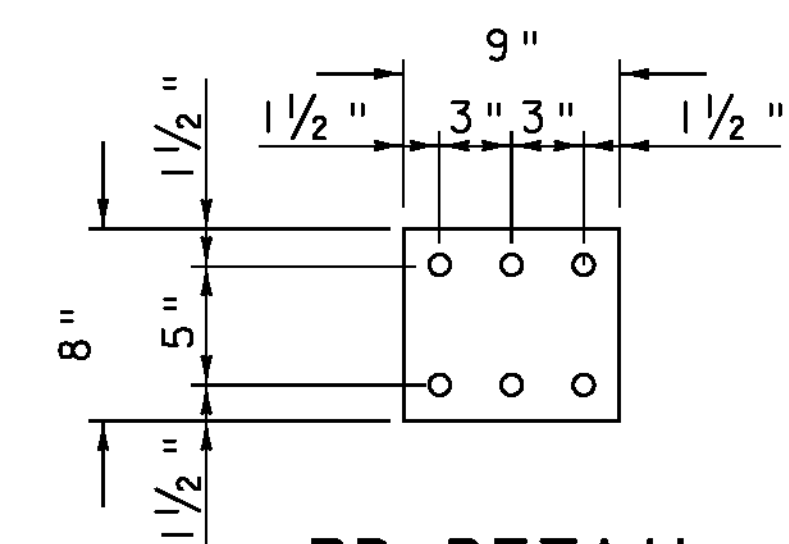
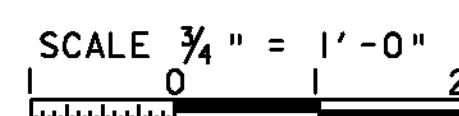
DIAGONAL "L2-U1"

2 - WT4x14x23'-8 1/4" (CVN)



DIAGONAL "L3-U2"

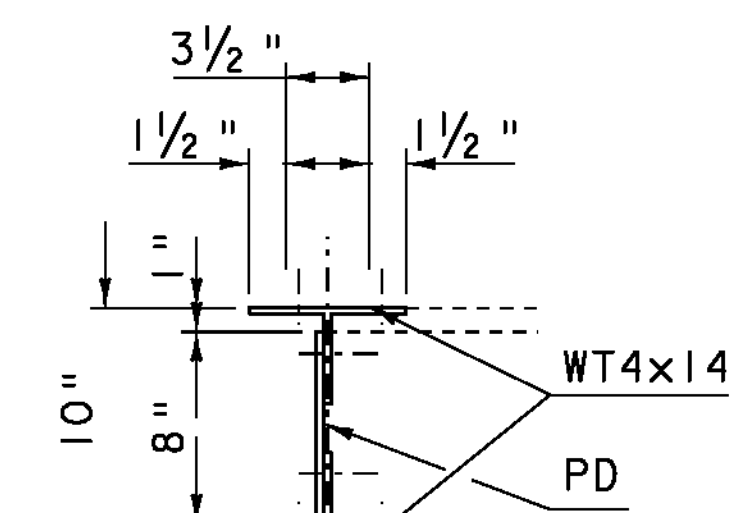
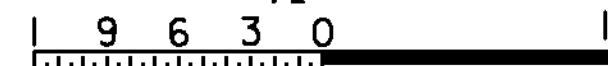
2 - L5x3x3/8x23'-8 1/4" (CVN)



PD DETAIL

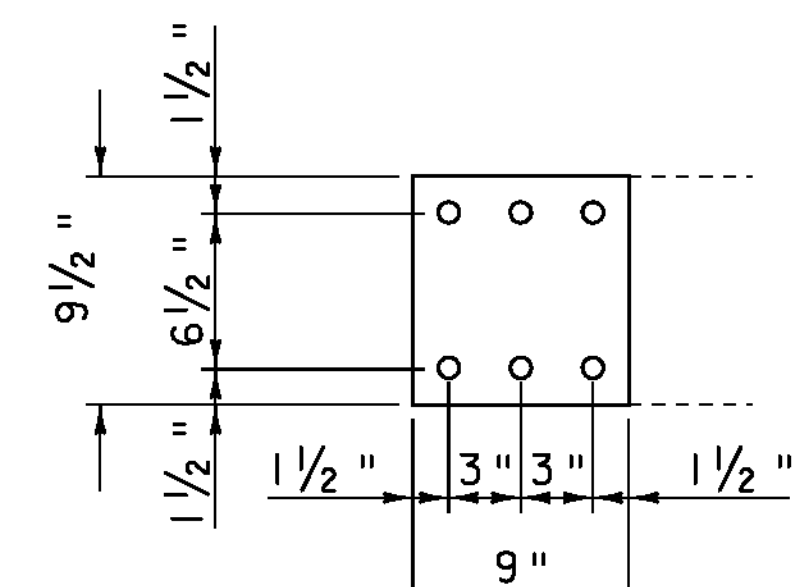
PL 5/16 x 8 x 9"

SCALE 1 1/2" = 1'-0"



"L2-U1" SECTION

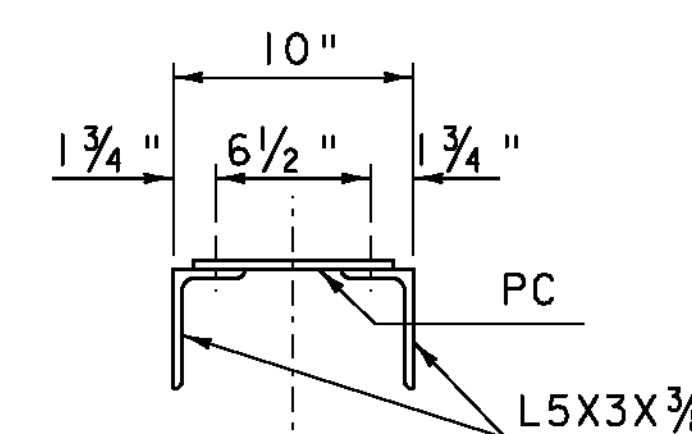
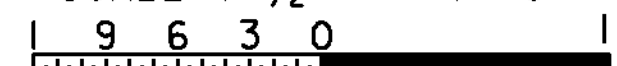
SCALE 1 1/2" = 1'-0"



PC DETAIL

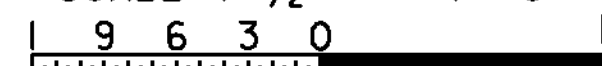
PL 5/16 x 9 x 9 1/2"

SCALE 1 1/2" = 1'-0"



"L3-U2" SECTION

SCALE 1 1/2" = 1'-0"



MIN. BOLT HOLE END AND EDGE DISTANCE 1 1/2" UNLESS NOTED
 7/8" DIA. BOLTS UNLESS NOTED
 5/16" DIA. HOLES UNLESS NOTED

PROJECT NAME: BRIDGEWATER	FILE NAME: s86e062truss.dgn	PLOT DATE: 31-DEC-2009
PROJECT NUMBER: BRS 0149(4)	PROJECT LEADER: K. HIGGINS	DRAWN BY: C. MOONEY
	DESIGNED BY: T. FILLBACH	CHECKED BY: T. FILLBACH
	DIAGONAL MEMBERS SHEET	SHEET 25 OF 58