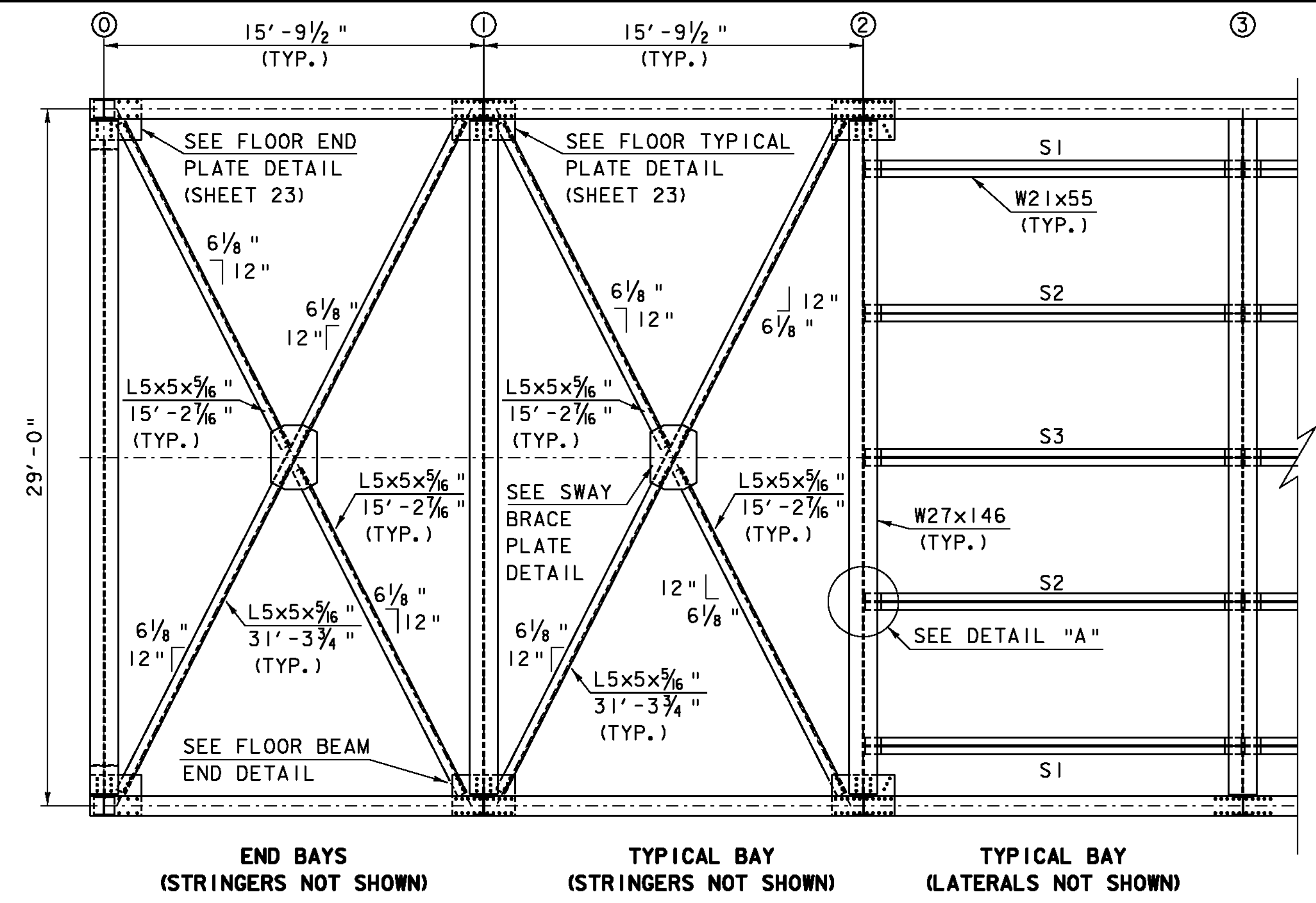
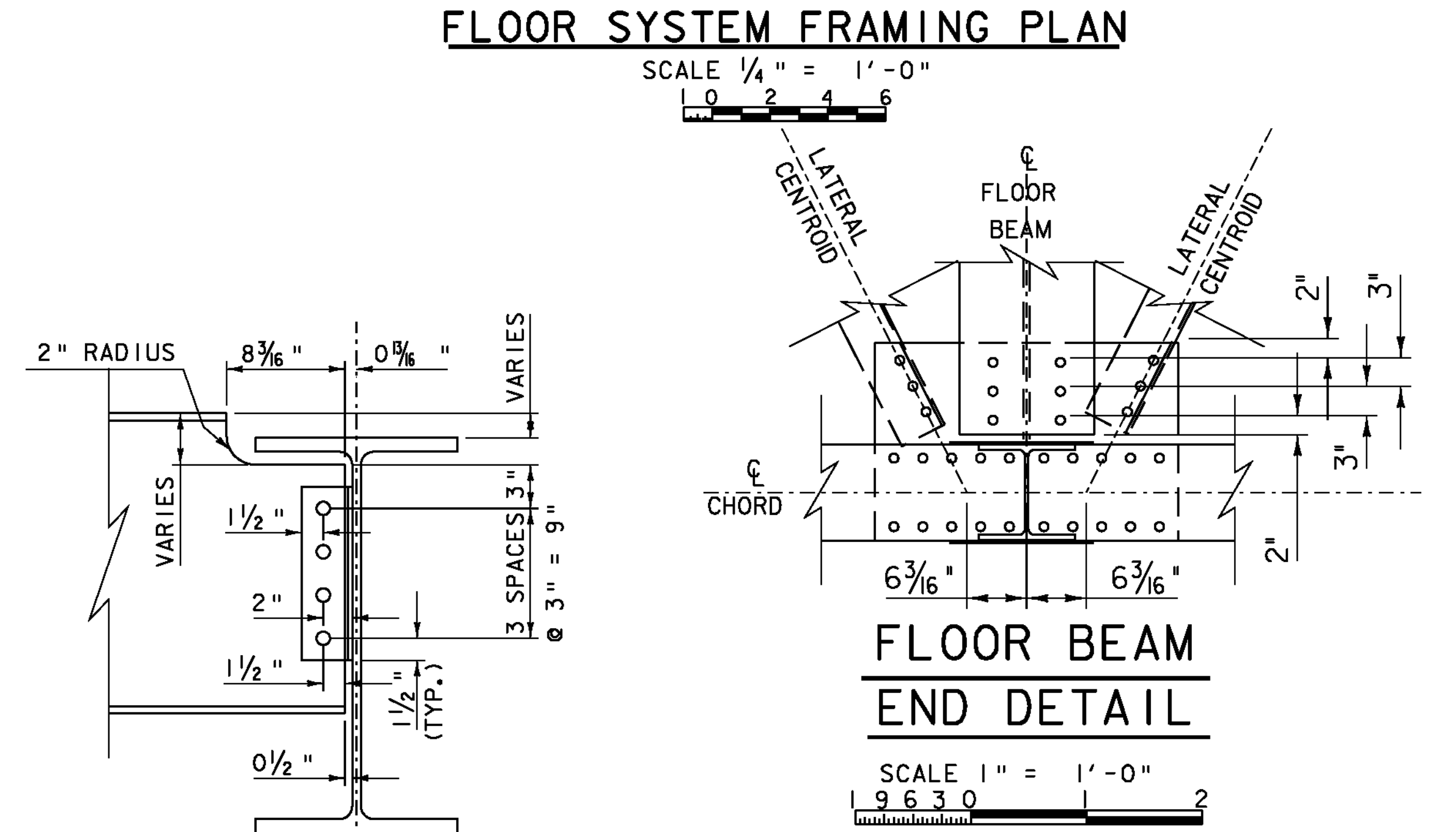


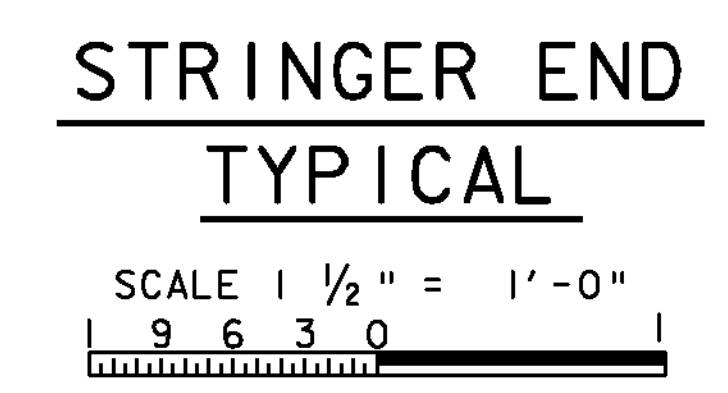
NOTE: FLANGES OF FLOOR BEAMS AND STRINGERS NOT SHOWN FOR PURPOSES OF CLARITY.



NOTE: FOR DIMENSIONS OF THE GUSSET PLATES ALONG THE BOTTOM CHORD SEE SHEET 21



MIN. BOLT HOLE END AND EDGE DISTANCE 1/2" UNLESS NOTED
 7/8" DIA. BOLTS UNLESS NOTED
 5/8" DIA. HOLES UNLESS NOTED



PROJECT NAME:	BRIDGEWATER	PLOT DATE:	11-MAR-2010
PROJECT NUMBER:	BRS 0149(4)	PROJECT LEADER:	K. HIGGINS
FILE NAME:	s86e062floor.dgn	DESIGNED BY:	T. FILLBACH
		CHECKED BY:	T. FILLBACH
		FLOOR FRAMING SYSTEM	SHEET 20 OF 58