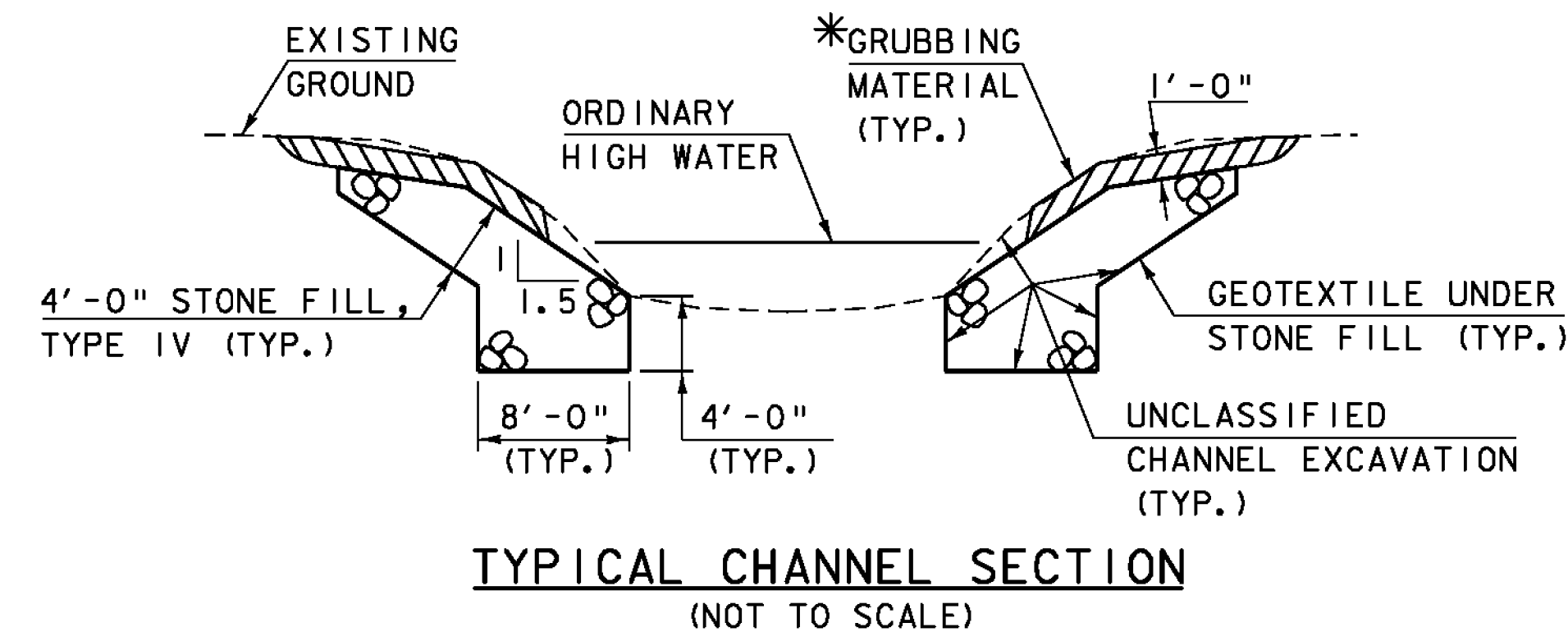
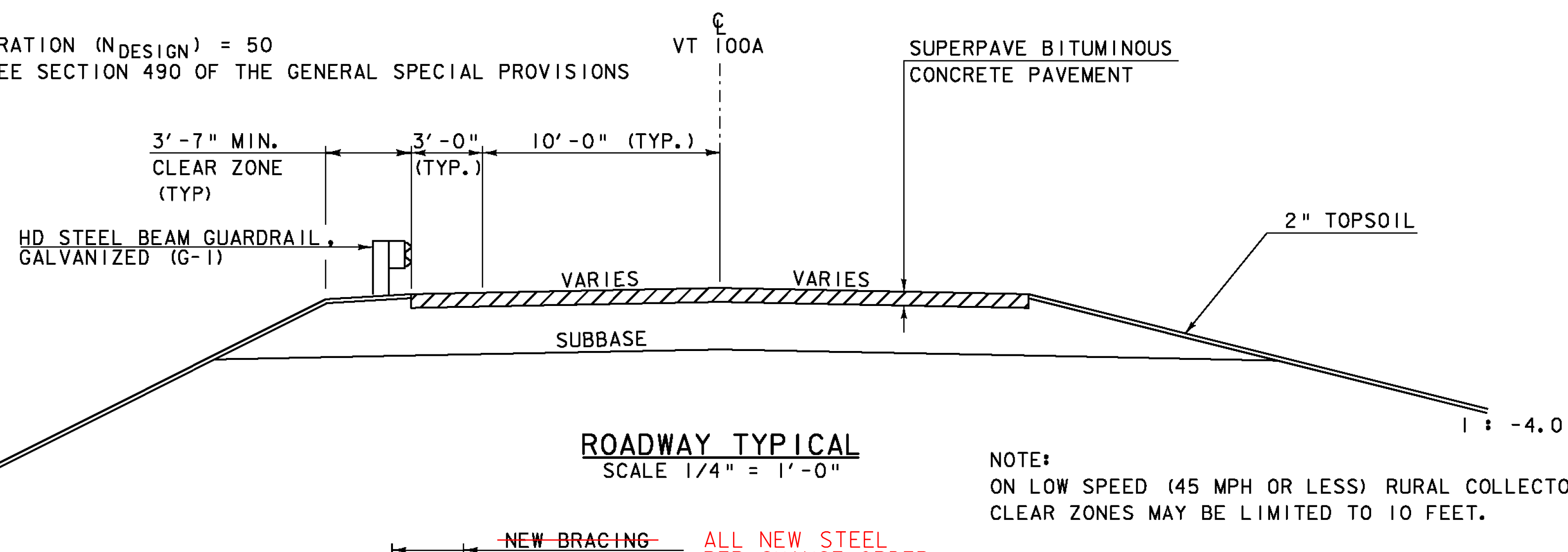
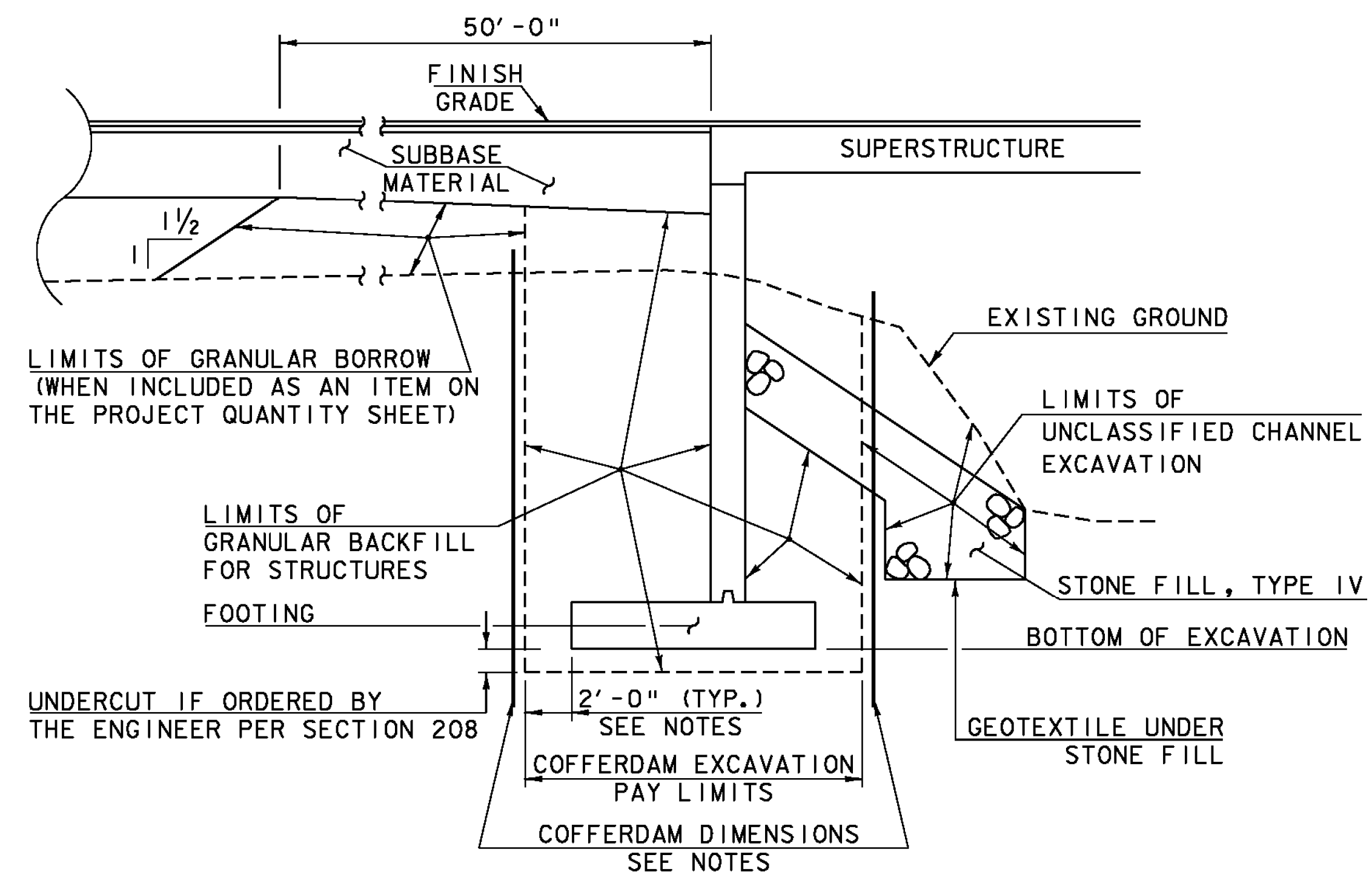
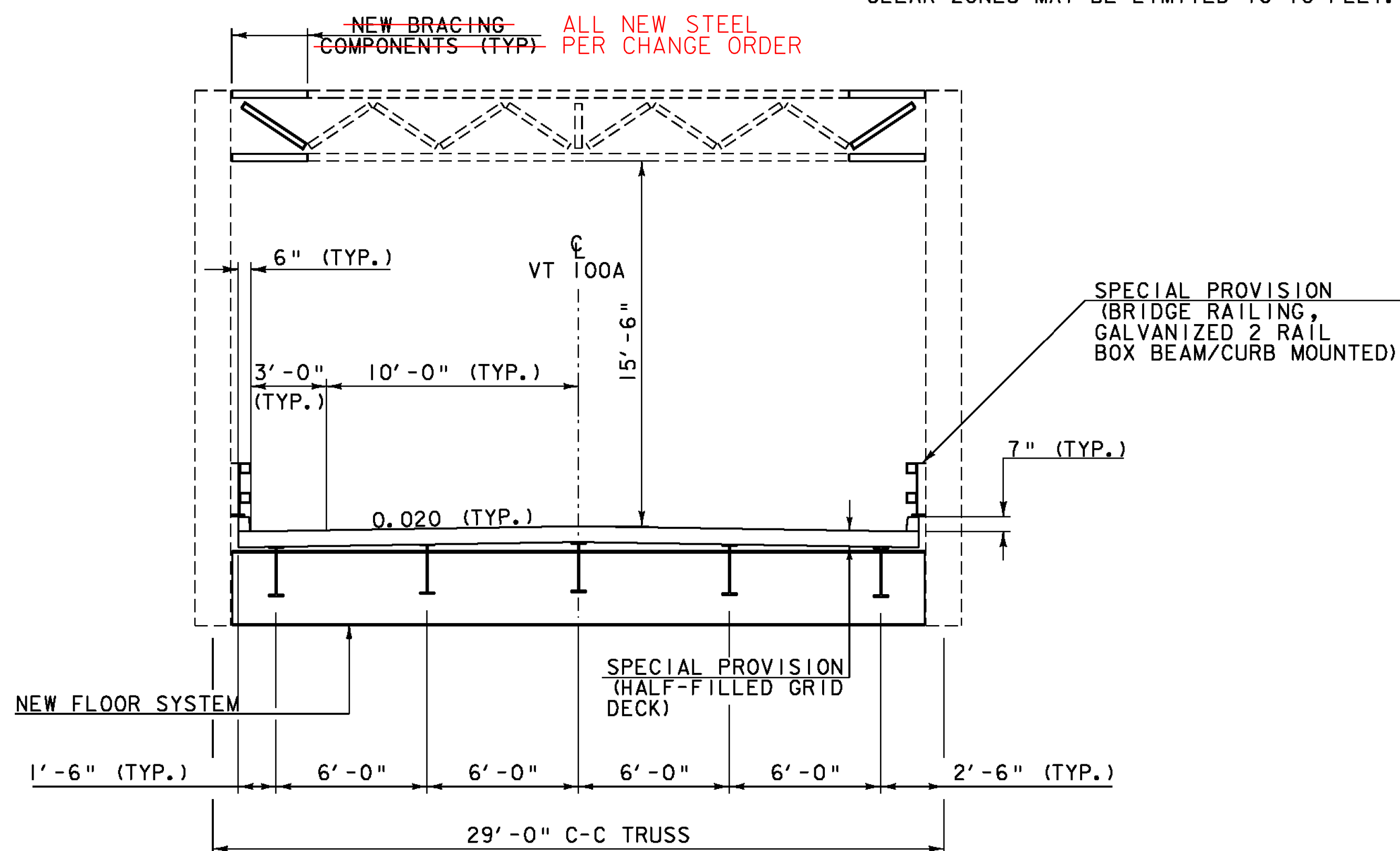


3" SUPERPAVE BITUMINOUS CONCRETE PAVEMENT (1 1/2" TYPE IVS OVER 1 1/2" TYPE IVS)  
 2 1/2" BASE COURSE OF SUPERPAVE BITUMINOUS CONCRETE PAVEMENT (TYPE IIS)  
 24" SUBBASE OF DENSE GRADED CRUSHED STONE (VARIES)

NOTE: NUMBER OF GYRATION (N<sub>DESIGN</sub>) = 50  
 PG GRADE - SEE SECTION 490 OF THE GENERAL SPECIAL PROVISIONS



\*GRUBBING MATERIAL SHALL NOT BE PLACED ON THE STONE FILL IN THE AREA UNDER THE BRIDGE. WHENEVER CHANNEL SLOPE INTERSECTS ROADWAY SUBBASE, GRUBBING MATERIAL SHALL BEGIN AT THE BOTTOM OF SUBBASE.



**COFFERDAM NOTES**

1. COFFERDAM DIMENSIONS TO BE DETERMINED BY THE CONTRACTOR.
2. THE PAY LIMITS OF "COFFERDAM EXCAVATION, EARTH" AND "COFFERDAM EXCAVATION, ROCK" SHALL BE 2'-0" OUTSIDE THE PERIMETER OF THE FOOTING AND FROM BOTTOM OF EXCAVATION UP TO THE EXISTING GROUND OR BOTTOM OF SUBBASE, WHICHEVER IS LOWER.
3. IF A COFFERDAM IS CONSTRUCTED WHICH IS LARGER THAN THE INDICATED COFFERDAM EXCAVATION PAY LIMITS, PAYMENT FOR ALL UNCLASSIFIED CHANNEL EXCAVATION, INCLUDING THAT PORTION WHICH IS INSIDE THE COFFERDAM BUT OUTSIDE THE COFFERDAM PAY LIMITS, WILL BE MADE AT THE CONTRACT UNIT PRICE FOR UNCLASSIFIED CHANNEL EXCAVATION. NO MEASUREMENT AND PAYMENT WILL BE MADE FOR COFFERDAM EXCAVATION AND GRANULAR BACKFILL FOR STRUCTURES OUTSIDE THE PAY LIMITS DEFINED IN NOTE 2.

**MATERIAL TOLERANCES**

SURFACE	
- PAVEMENT	+/- 1/4"
- AGGREGATE SURFACE COURSE	+/- 1/2"
BASE COURSE	+/- 1/2"
SUBBASE	+/- 1"
SAND BORROW	+/- 1"
GRANULAR BORROW	+/- 1"

SCALE 1/4" = 1'-0"

PROJECT NAME: BRIDGEWATER  
 PROJECT NUMBER: BRS 0149(4)

FILE NAME: s86e062typ.dgn  
 PROJECT LEADER: K. HIGGINS  
 DESIGNED BY: T. FILLBACH  
 TYPICAL SECTIONS

PLOT DATE: 31-DEC-2009  
 DRAWN BY: J. SALVATORI  
 CHECKED BY: T. FILLBACH  
 SHEET 7 OF 58