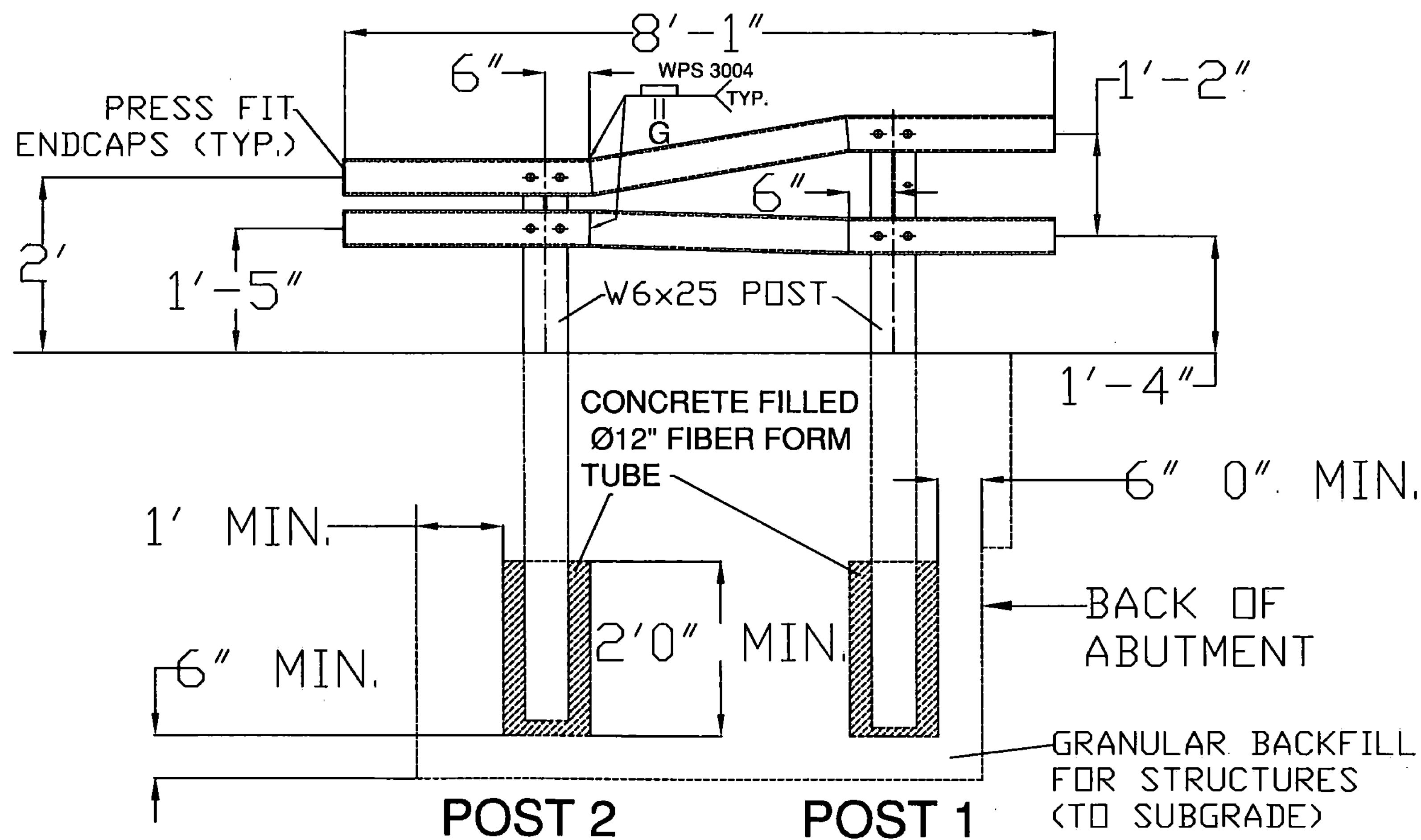
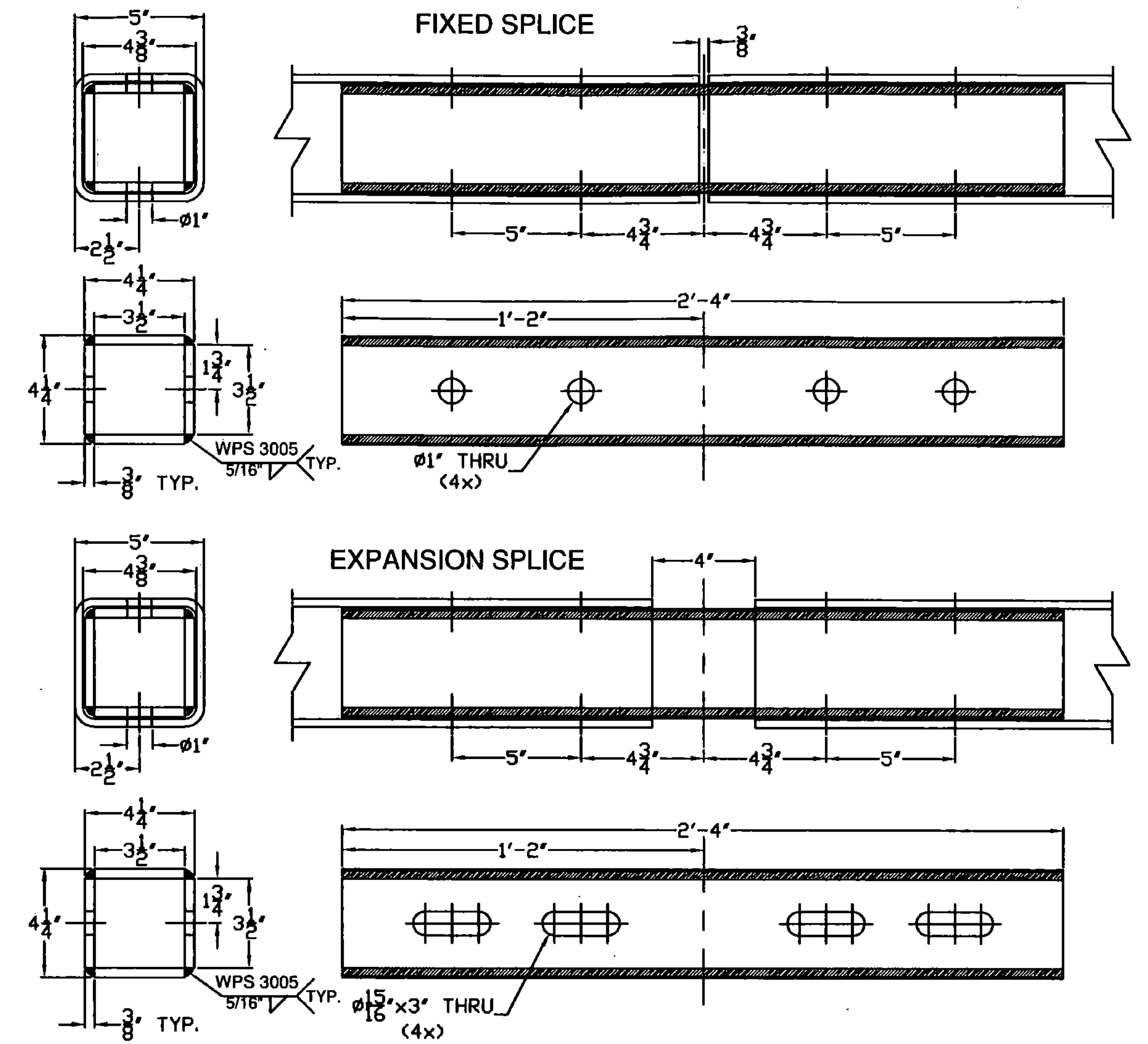
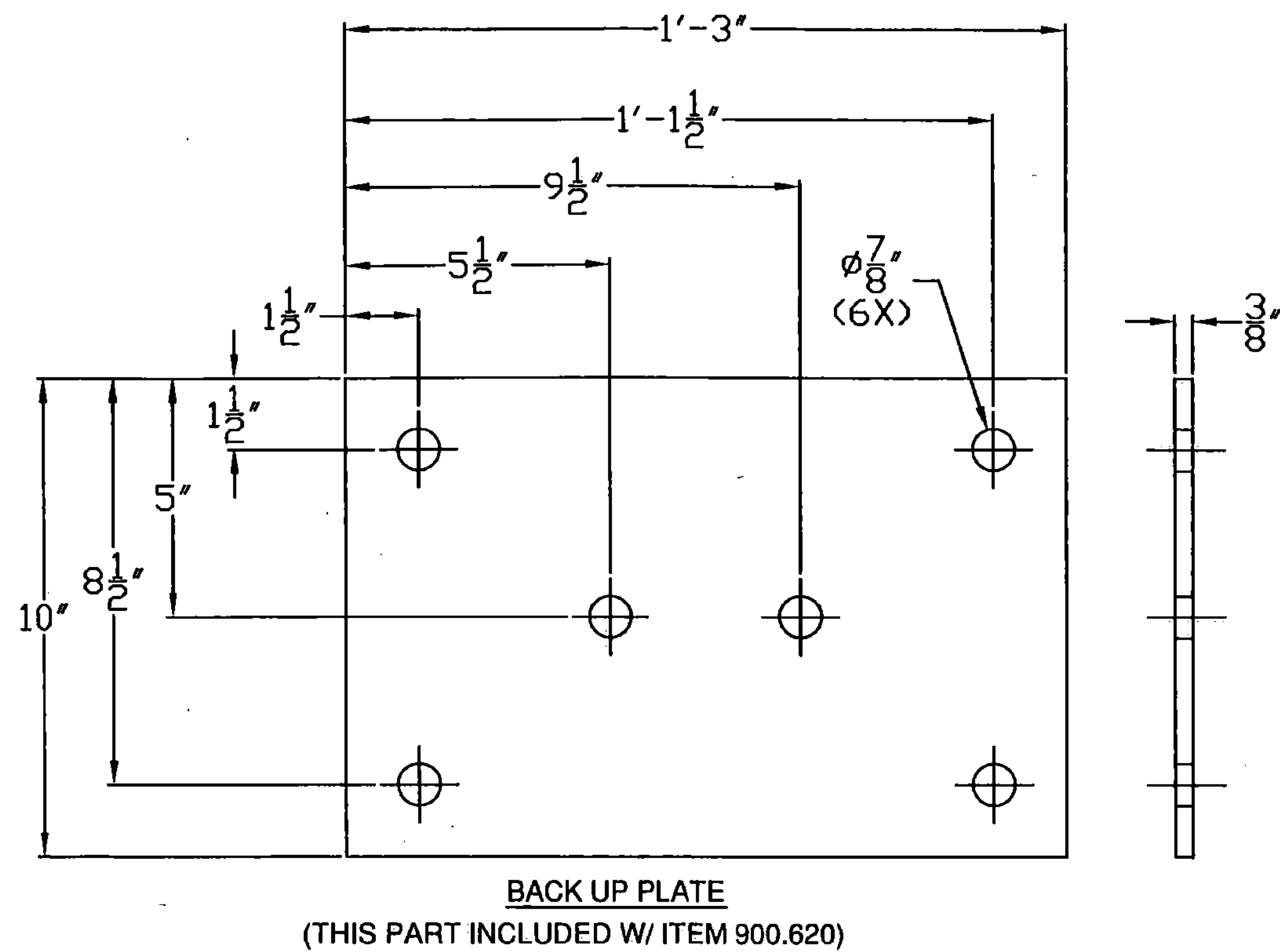


197 BRIDGE RAILINGS



Vermont Agency of Transportation

RECEIVED

CK'D BY Timothy Fillbach OK'D BY GML

12:17 pm, Jul 21, 2010

RESUBMIT APPROVED X
BY KMH DATE 7-21-2010

ITEM #: 900.640

GEN CONTR: F. R. LAFAYETTE

SHEET 3 OF 3

APPROVED BY:

BRIDGE RAIL DETAILS SHEET

BRIDGEWATER, PROJECT #: BRS 0149 (4)
VT ROUTE 100A, BR14-MAJOR COLLECTOR
TOWN OF BRIDGEWATER, WINDSOR COUNTY, STATE OF VERMONT

R NO.	DATE	DESCRIPTION	BY	R NO.	DATE	DESCRIPTION	BY
E A	7/16/10	REVISED PER 7/14/10 MEET FROM ROBERT M. HARRIS, P.E.	EP				

ELDERLEE, INC.
OAKS CORNERS, NEW YORK 14518
E-Mail: dlong@elderlee.com
Tel: 315-789-8870 Fax: 315-789-8816

SCALE SCHEMATIC
DRAWING NO. EM10-066