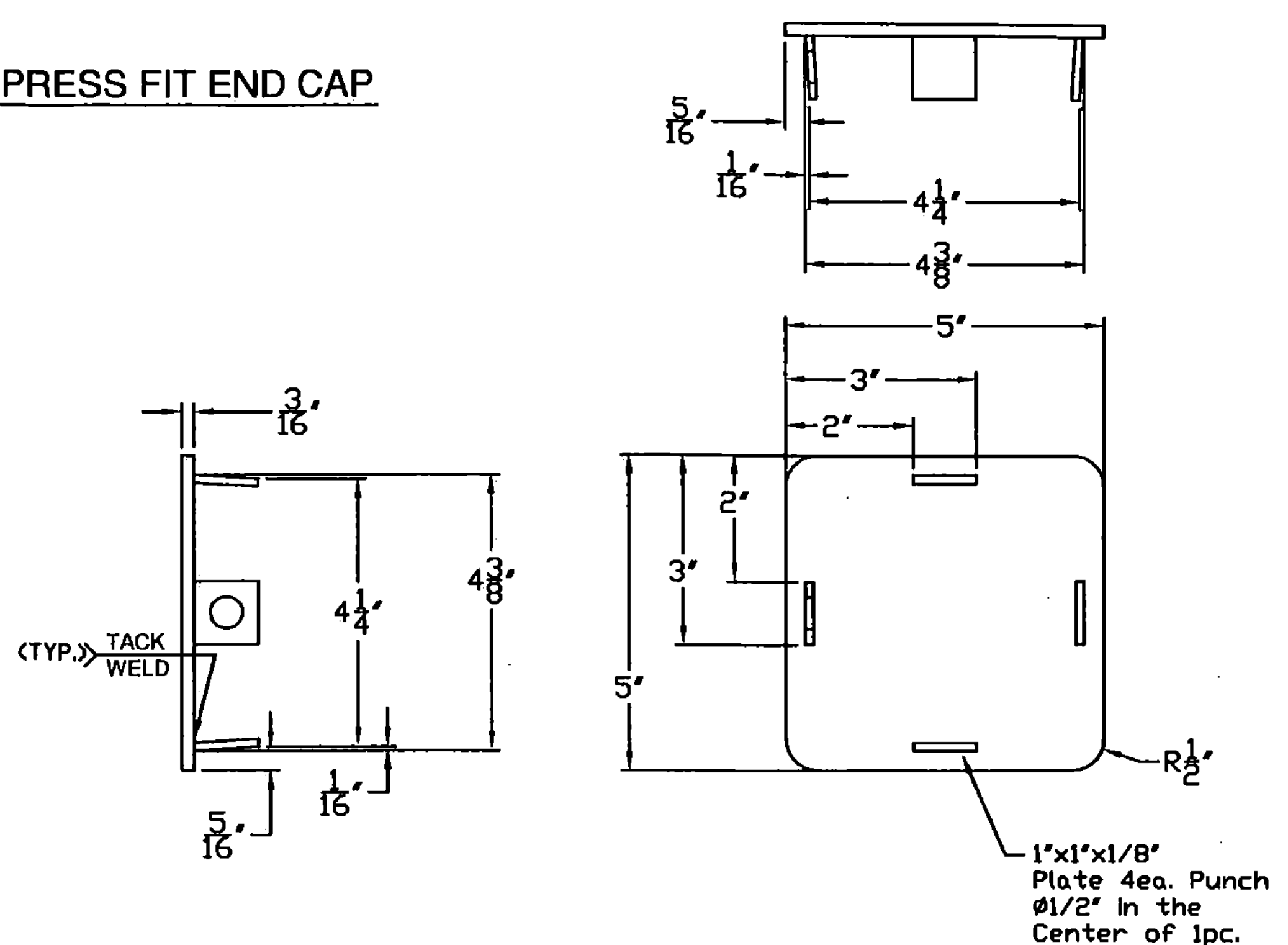
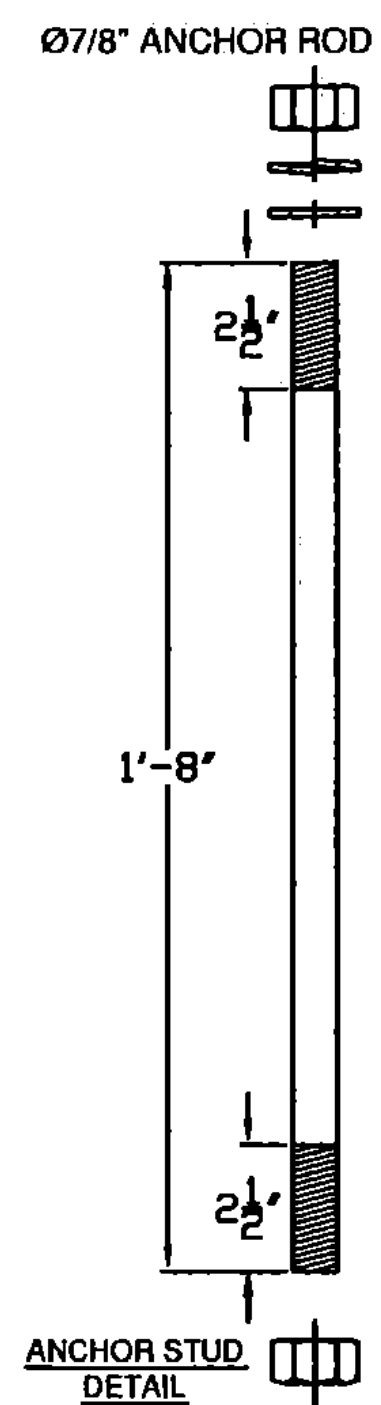


PRESS FIT END CAP

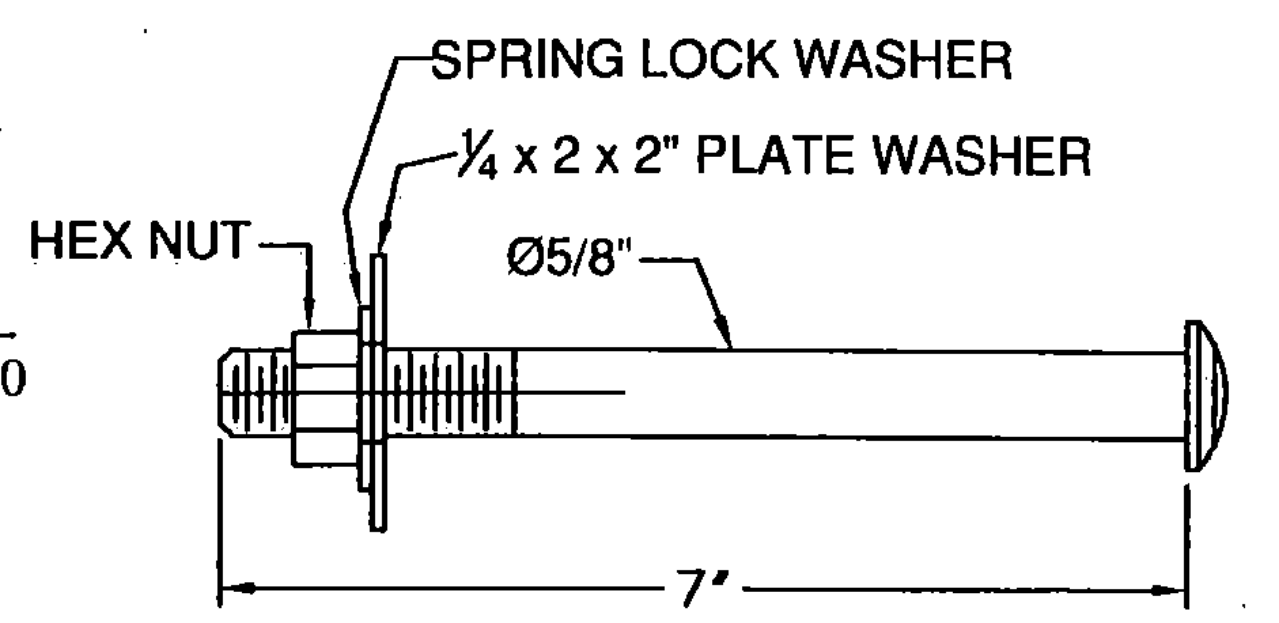


TACK WELD TABS TO END CAP PLATE IN TAPERED POSITION SO CAP CAN BE JAMMED INTO END OF RAIL TUBE

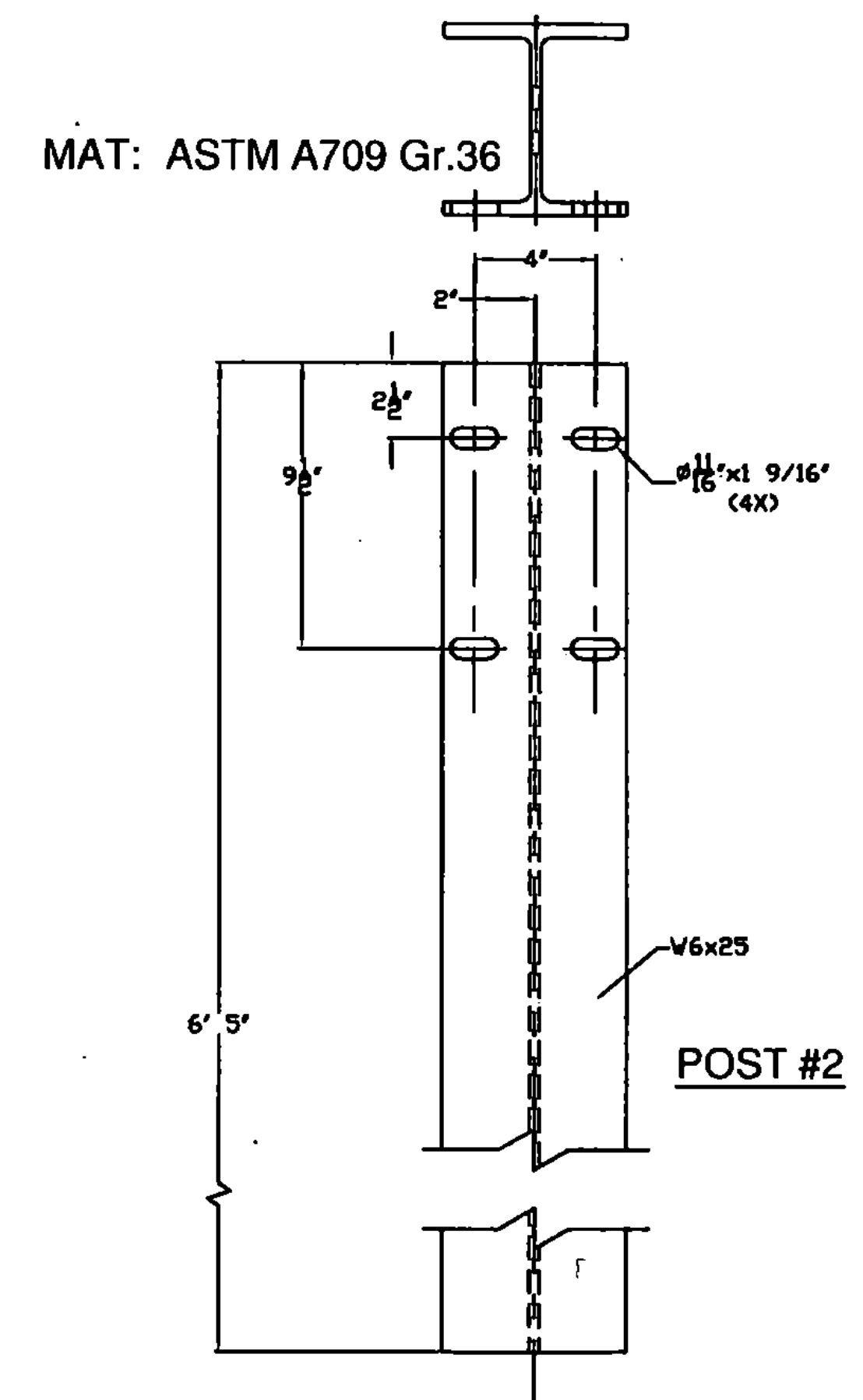
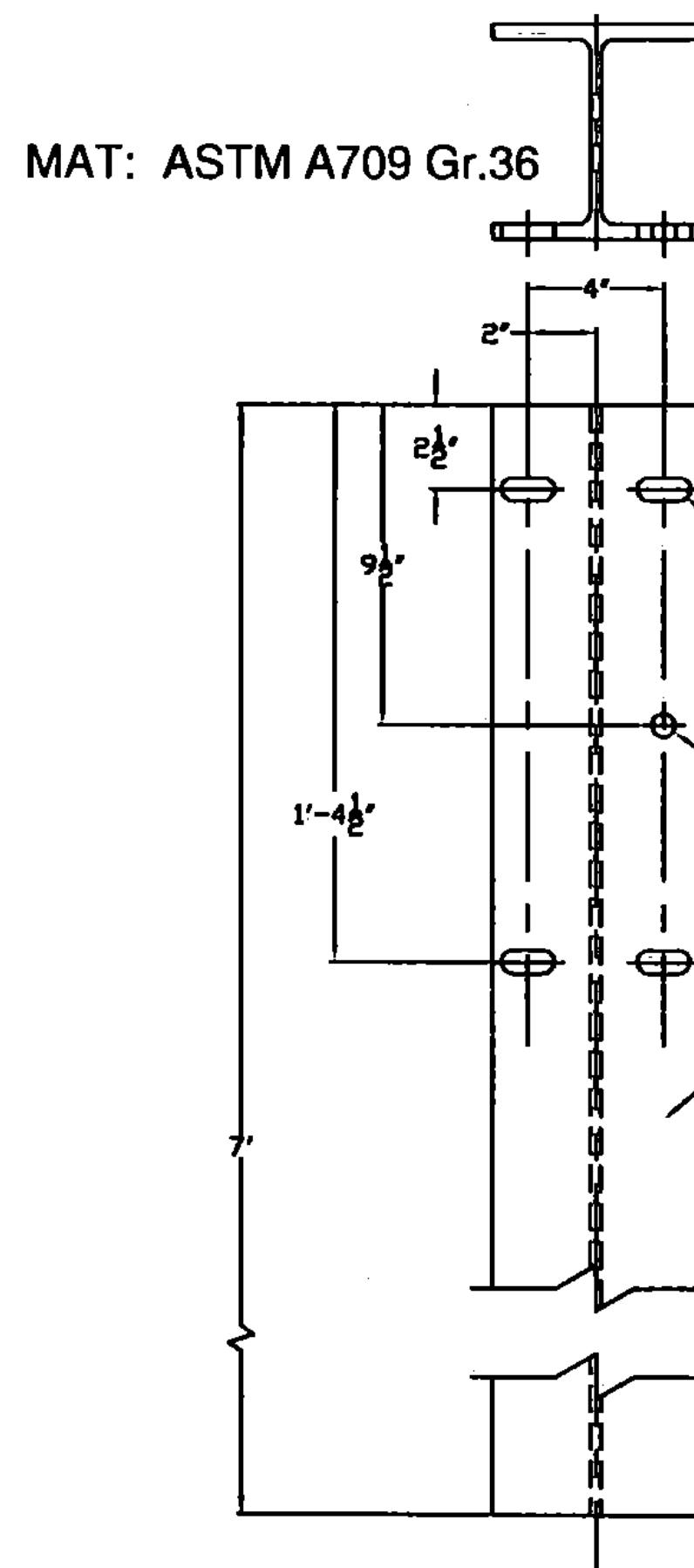
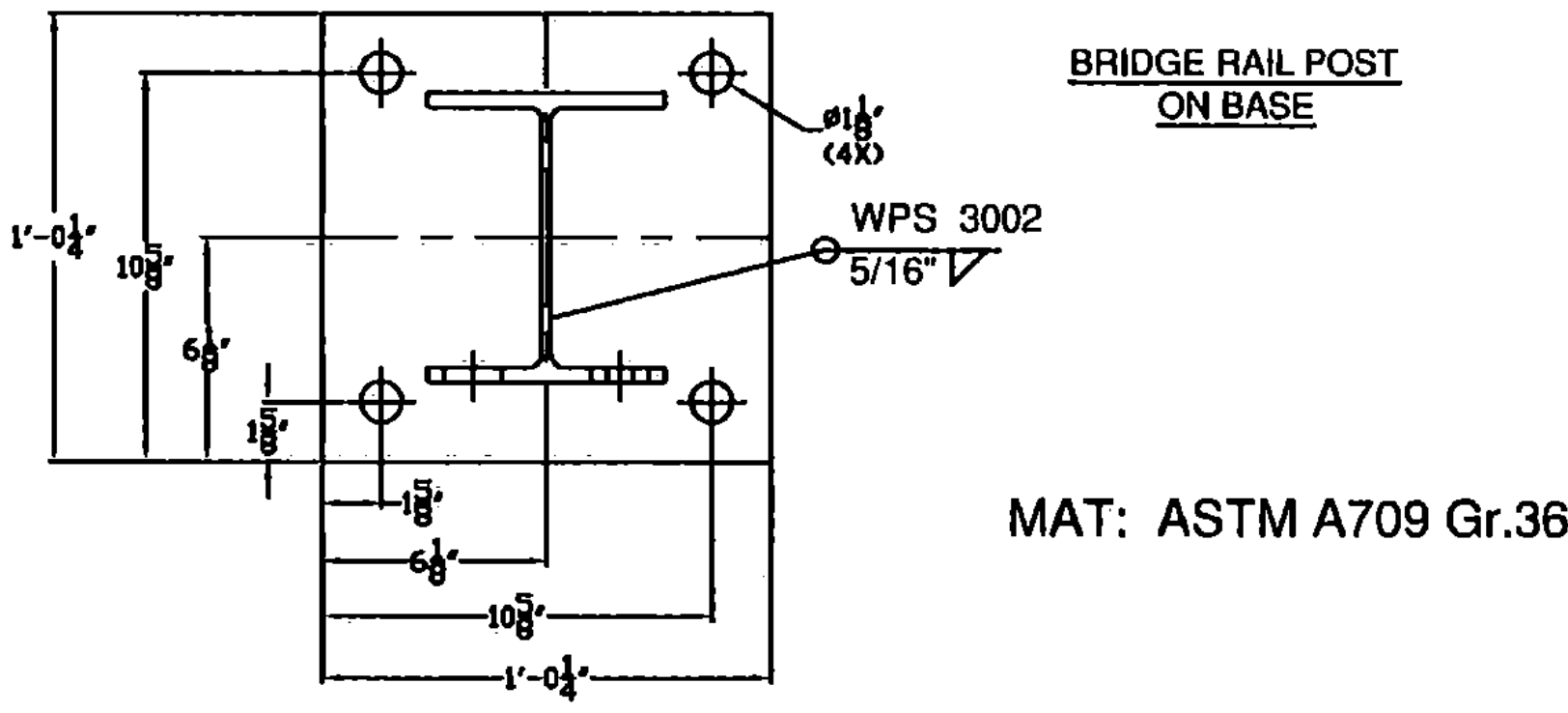
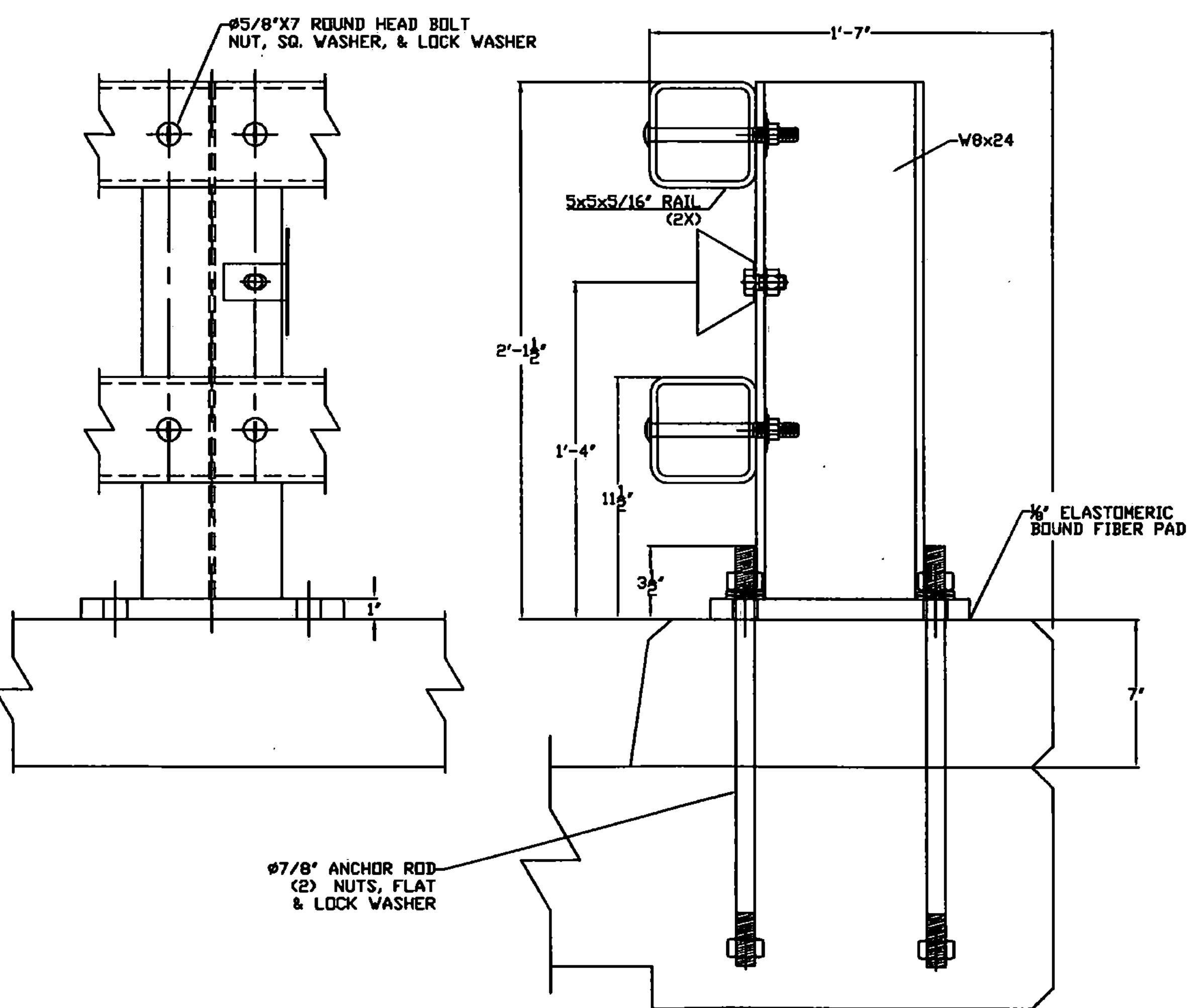
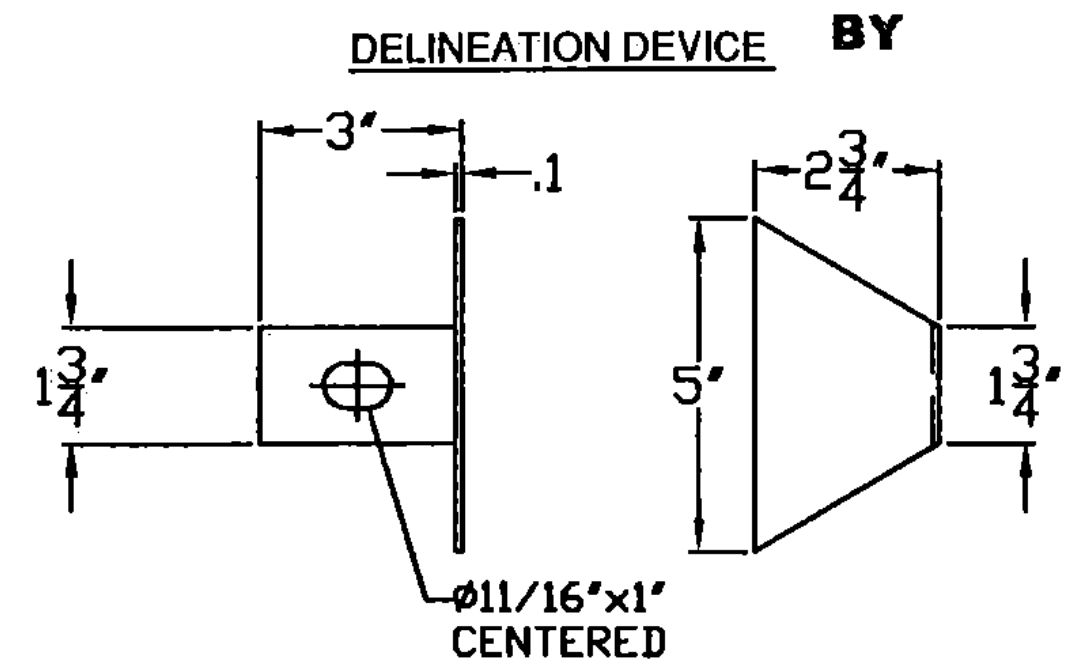


Vermont Agency of Transportation
RECEIVED

CK'D BY Timothy Fillbach OK'D BY GML
12:17 pm, Jul 21, 2010
RESUBMIT BY KMH APPROVED X DATE 7-21-2010



ROUND HEAD BOLT



ITEM #: 900.640

GEN CONTR: F. R. LAFAYETTE

SHEET 2 OF 3

APPROVED BY:

BRIDGE RAIL DETAILS SHEET							
BRIDGEWATER, PROJECT #: BRS 0149 (4) VT ROUTE 100A, BR14-MAJOR COLLECTOR TOWN OF BRIDGEWATER, WINDSOR COUNTY, STATE OF VERMONT							
R NO.	DATE	DESCRIPTION	BY	R NO.	DATE	DESCRIPTION	BY
E A	7/16/10	REVISED PER 7/14/10 MEMO FROM KRISTEN M. HEDGECOCK, P.E.	EP	E			
V				V			
DRAWN		E.P.		6/14/10			
CHECKED		D.L.		6/16/10			
APPROVED							
SCALE		SCHEMATIC					
DRAWING NO.		EM10-066					

ELDERLEE, INC.
OAKS CORNERS, NEW YORK 14518
E-Mail: dlong@elderlee.com
Tel: 315-789-6670 Fax: 315-789-6615